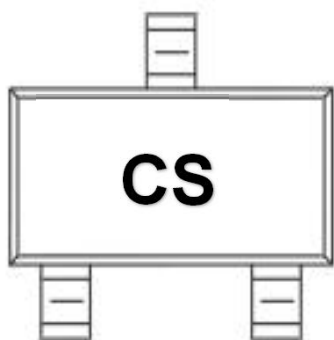
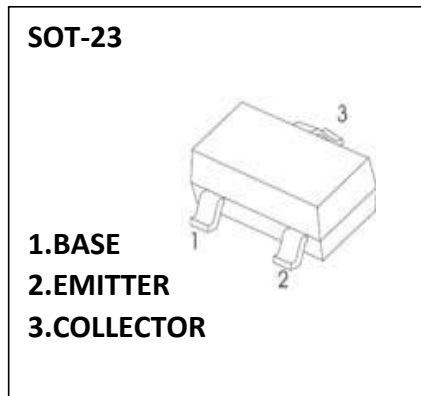
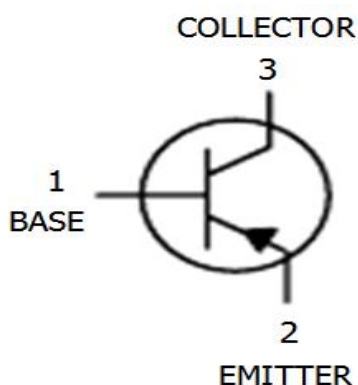


2SA73 TRANSISTOR (PNP)

MARKING:



Equivalent Circuit:



FEATURES:

- ※ Complement to C945
- ※ Collector-Base Voltage

MAXIMUM RATINGS (Ta=25°C unless otherwise noted)

| Parameter | Symbol | Value | Unit |
|---|--------|----------|------|
| Collector-Base Voltage | VCBO | -60 | V |
| Collector-Emitter Voltage | VCEO | -50 | V |
| Emitter-Base Voltage | VEBO | -5 | V |
| Collector Current | IC | -150 | mA |
| Collector Power Dissipation | PC | 200 | mW |
| Thermal Resistance From Junction To Ambient | RθJA | 625 | °C/W |
| Junction Temperature | Tj | 150 | °C |
| Storage Temperature | Tstg | -55~+150 | °C |

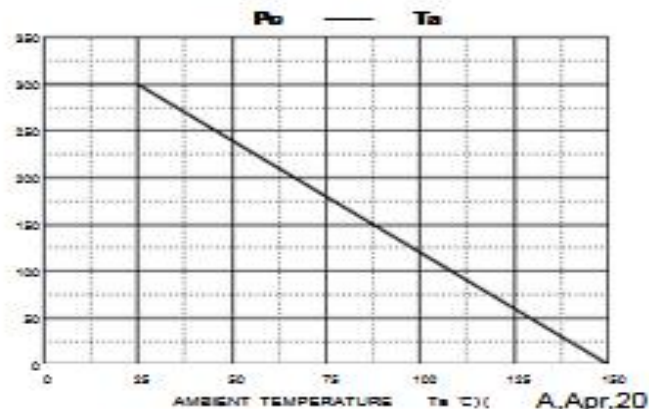
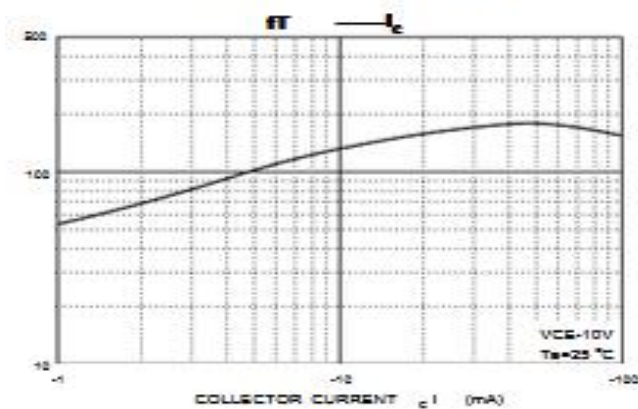
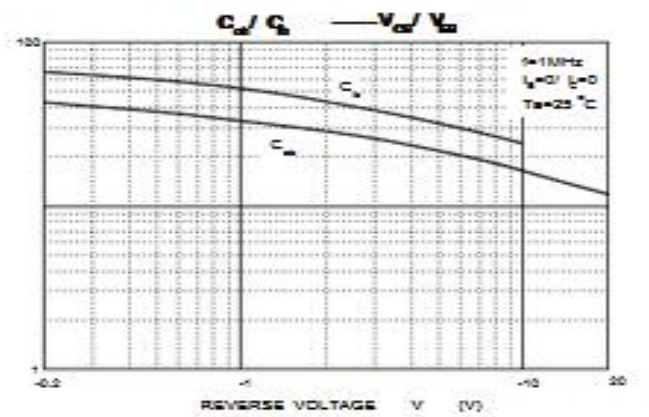
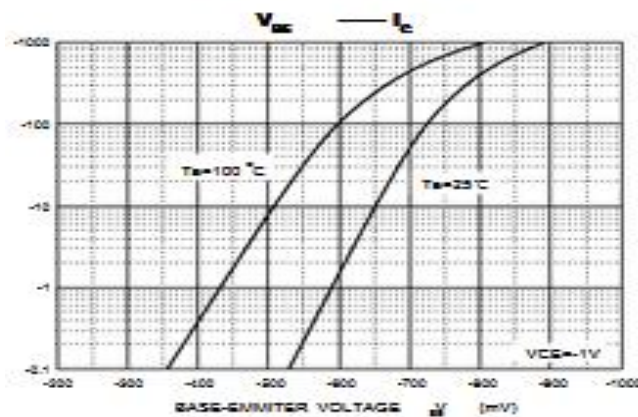
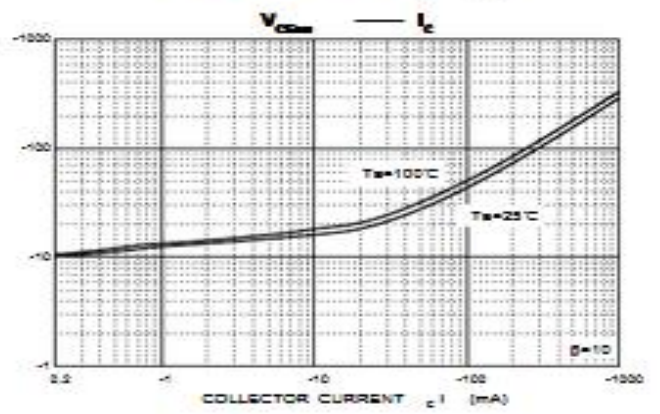
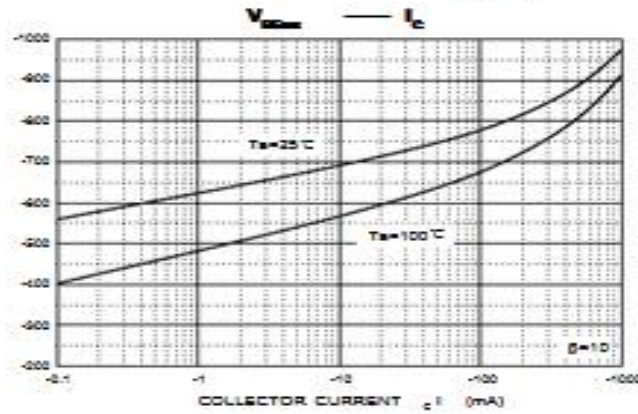
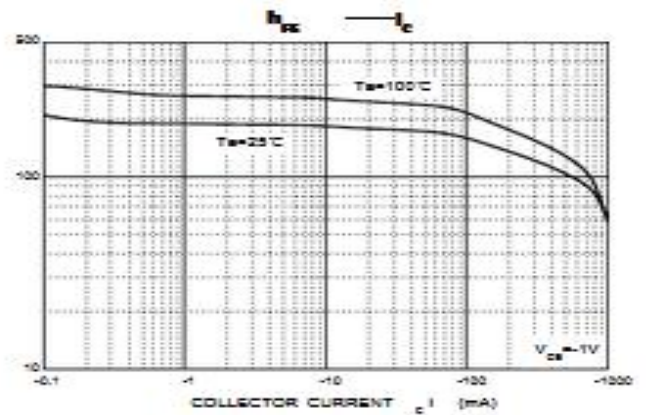
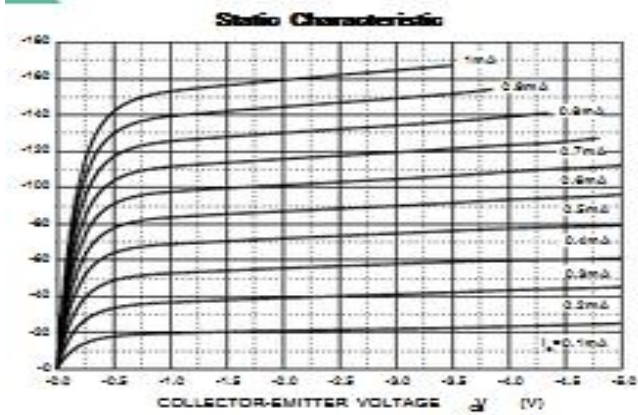
ELECTRICAL CHARACTERISTICS (Ta=25°C unless otherwise sp)

| Parameter | Symbol | Test Condition | Min | Typ | Max | Unit |
|--------------------------------------|----------|---|-------|-------|-------|------|
| Collector-base breakdown voltage | V(BR)CBO | IC= -5μA, IE=0 | -60 | | | V |
| Collector-emitter breakdown voltage | V(BR)CEO | IC= -1mA, IB=0 | -50 | | | V |
| Emitter-base breakdown voltage | V(BR)EBO | IE=-50μA, IC=0 | -5 | | | V |
| Collector cut-off current | ICBO | VCE=-60 V , IE=0 | | | -0.1 | μA |
| Emitter cut-off current | IEBO | VEB= -5V , IC=0 | | | -0.1 | μA |
| DC current gain | hFE | VCE=-6V, IC= -1mA | 120 | | 475 | |
| | hFE | VCE=-6V, IC= -0.1mA | 40 | | | |
| Collector-emitter saturation voltage | VCE(sat) | IC=-100 mA, IB= -10mA | | -0.18 | -0.3 | V |
| Base-emitter saturation voltage | VBE(on) | VCE=-6V, IC= -1.0mA | -0.58 | -0.62 | -0.68 | V |
| Transition frequency | fT | VCE=-6V, IC= -10mA f=30MHz | 50 | | | MHz |
| Collector Output Capacitance | Cob | VCE=-10V, IE= 0 f=1MHz | | 4.5 | 7 | pf |
| Noise Figure | NF | VCE=-6V, IC= -0.3mA Rg=10kΩ; f=100Hz | | 6 | 20 | dB |

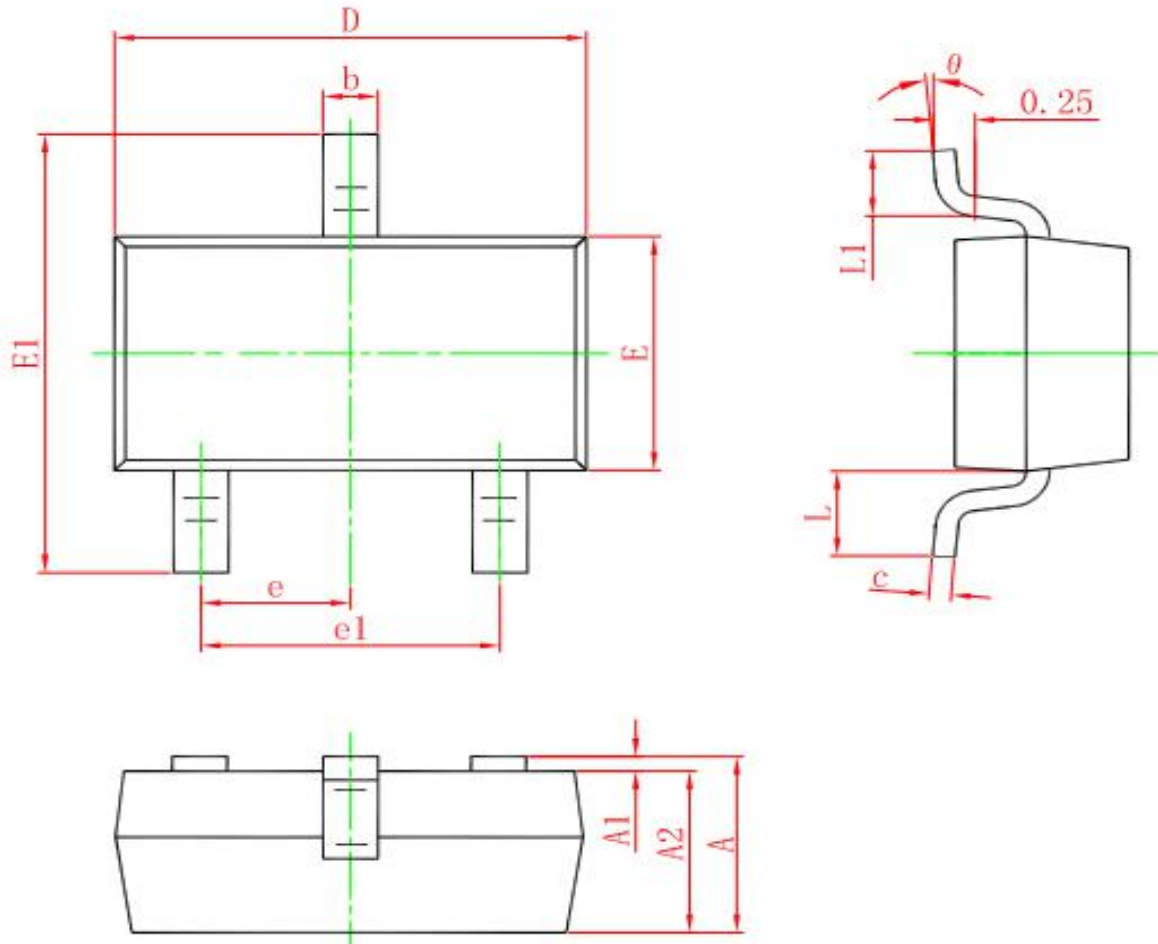
CLASSIFICATION OF hFE

| Rank | L | H | |
|-------|---------|---------|--|
| Range | 120-220 | 220-475 | |

TYPICAL ELECTRICAL AND THERMAL CHARACTERISTICS



SOT-23 PACKAGE OUTLINE DIMENSIONS



| Symbol | Dimensions In Millimeters | | Dimensions In Inches | |
|--------|---------------------------|-------|----------------------|-------|
| | Min. | Max. | Min. | Max. |
| A | 0.900 | 1.150 | 0.035 | 0.045 |
| A1 | 0.000 | 0.100 | 0.000 | 0.004 |
| A2 | 0.900 | 1.050 | 0.035 | 0.041 |
| b | 0.300 | 0.500 | 0.012 | 0.020 |
| c | 0.080 | 0.150 | 0.003 | 0.006 |
| D | 2.800 | 3.000 | 0.110 | 0.118 |
| E | 1.200 | 1.400 | 0.047 | 0.055 |
| E1 | 2.250 | 2.550 | 0.089 | 0.100 |
| e | 0.950 TYP. | | 0.037 TYP. | |
| e1 | 1.800 | 2.000 | 0.071 | 0.079 |
| L | 0.550 REF. | | 0.022 REF. | |
| L1 | 0.300 | 0.500 | 0.012 | 0.020 |
| θ | 0° | 8° | 0° | 8° |

X-ON Electronics

Largest Supplier of Electrical and Electronic Components

Click to view similar products for [Bipolar Transistors - BJT category](#):

Click to view products by [Youtai manufacturer](#):

Other Similar products are found below :

[619691C](#) [MCH4017-TL-H](#) [MJ15024/WS](#) [MJ15025/WS](#) [BC546/116](#) [BC556/FSC](#) [BC557/116](#) [BSW67A](#) [HN7G01FU-A\(T5L,F,T](#)
[NJVMJD148T4G](#) [NSVMMBT6520LT1G](#) [NTE187A](#) [NTE195A](#) [NTE2302](#) [NTE2330](#) [NTE2353](#) [NTE316](#) [IMX9T110](#) [NTE63](#) [NTE65](#)
[C4460](#) [SBC846BLT3G](#) [2SA1419T-TD-H](#) [2SA1721-O\(TE85L,F\)](#) [2SA1727TLP](#) [2SA2126-E](#) [2SB1202T-TL-E](#) [2SB1204S-TL-E](#) [2SC5488A-](#)
[TL-H](#) [2SD2150T100R](#) [SP000011176](#) [FMC5AT148](#) [2N2369ADCSM](#) [2SB1202S-TL-E](#) [2SC2412KT146S](#) [2SC4618TLN](#) [2SC5490A-TL-H](#)
[2SD1816S-TL-E](#) [2SD1816T-TL-E](#) [CMXT2207 TR](#) [CPH6501-TL-E](#) [MCH4021-TL-E](#) [BC557B](#) [TTC012\(Q\)](#) [BULD128DT4](#) [JANTX2N3810](#)
[Jantx2N5416](#) [US6T6TR](#) [KSF350](#) [068071B](#)