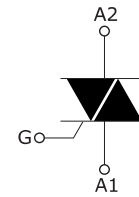


Product features and main applications:

NPNP five-layer structure of silicon bidirectional devices; with independent intellectual property rights of single-sided digging technology, table glass passivation process; multi-layer metallized electrodes on the back; with high blocking voltage and high temperature stability.



Mainly used in:

vacuum cleaners, power tools and other motor speed controllers; solid state relays; heating controllers (temperature regulation); other phase control circuits.

Characteristics

Table 1. Absolute maximum ratings (Tj = 25°C unless otherwise stated)

Symbol	Parameter name		value	Unit
$I_{T(RMS)}$	RMS on-state current (full sine wave)	BTA Tc=80 °C	16	A
I_{TSM}	Non repetitive surge peak on-state current (full cycle, Tj initial = 25 ° C)	F=50HZ tp=20ms	160	A
I^2t	I ² t value for fusing	tp=10ms	144	A ² S
di/dt	Critical rate of rise of on-state current IG = 2 x IGT, tr ≤ 100 ns	Tj=125	50	A/us

V_{DRM}/V_{RRM}	Off state repetitive peak voltage Reverse repetitive peak voltage	$T_j=25^{\circ}C$		600/800	V
I_{GM}	Peak gate current	$t_p=20\mu s$	$T_j=150^{\circ}C$	4	A
$P_{G(AV)}$	Average gate power dissipation		$T_j=150^{\circ}C$	1	W
T_{stg} T_j	Storage junction temperature range Operating junction temperature range			-40 to+150 -40 to+150	$^{\circ}C$

Table 2. Electrical characteristics ($T_j = 25^{\circ}C$, unless otherwise specified) -- 3 quadrants

Symbol	Name and test conditions	Quadrant	Range	value			Unit
				Min	Typ	Max	
I_{GT}	$V_D=12V$ $R_L=100\Omega$	I II III	MAX	15	25	35	mA
V_{GT}				1.5			
V_{GD}	V_D V_{DRM} R $3.3\ k\Omega$, T_j		MIN	0.2			V
I_H	$I_T = 100\ mA$		MAX	60			mA
I_L	$I_G = 1.2 \times I_{GT}$		MAX	60			mA
				100			
dv/dt	$V_D = 67\% V_{DRM}$, gate open, $T_j = 125^{\circ}C$		MIN	500			V/ μs
(dv/dt)c	Critical rise rate of commutation voltage $T_j = 150^{\circ}C$		MIN	10			V/ μs

Table 3. Electrical characteristics (T_j = 25 °C, unless otherwise specified) -Standard Triac (4 quadrants)

Symbol	Name and test conditions	Quadrant	Range	value				Unit
				I	II	III	IV	
I _{GT}	V _D =12V R _L =100Ω	I - II -III	MAX	≅ 25	≅ 35	≅ 35	≅ 120	mA
V _{GT}				1.5				
V _{GD}	VD = VDRM, RL = 3.3 kΩ, T _j = 125 ° C	IV	MIN	0.2				V
I _H	I _T =500mA		MAX	60				mA
I _L	IG = 1.2 x IGT		MAX	60				mA
				100				
dv/dt	VD = 67% VDRM, gate open, T _j = 125 ° C		MIN	500				V/us
(dv/dt) _c	Critical rise rate of commutation voltage T _J = 150 ° C		MIN	10				V/us

Static parameters

Symbol	Parameter name			value	Unit
V _{TM}	I _{TM} = 32A	T _j =25°C	MAX	1.50	V
V _{T0}	threshold on-state voltage	T _j =150°C	MAX	0.87	V
R _d	Dynamic resistance	T _j =150°C	MAX	14.6	mΩ
I _{DRM} I _{RPM}	VDRM = VRRM	T _j =25°C T _j =150°C	MAX	5	uA
				1	mA
R _{th(j-c)}	Junction to ambient	BTA	MAX	2.10	°C/W

BTA16 characteristic curve

FIG.1 Maximum power dissipation versus RMS on-state current

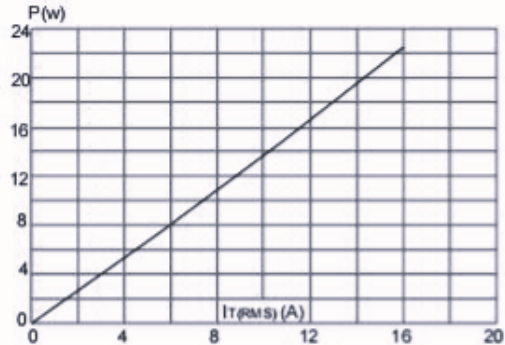
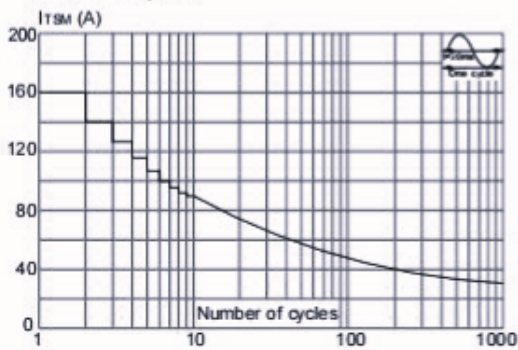


FIG.3: Surge peak on-state current versus number of cycles



sinusoidal pulse with width $t_p < 20\text{ms}$, and
 average value of $I^2 t$ ($dI/dt < 50\text{A}/\mu\text{s}$)
 $I^2 t$ (A^2s)

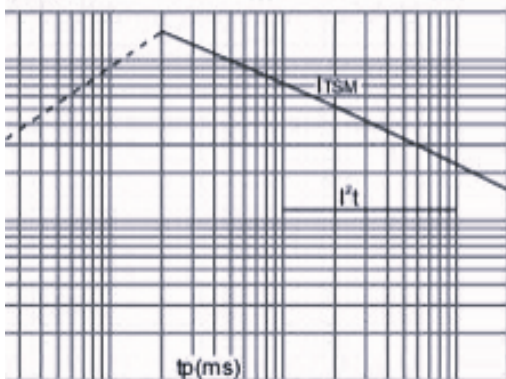


FIG.2: RMS on-state current versus case temperature

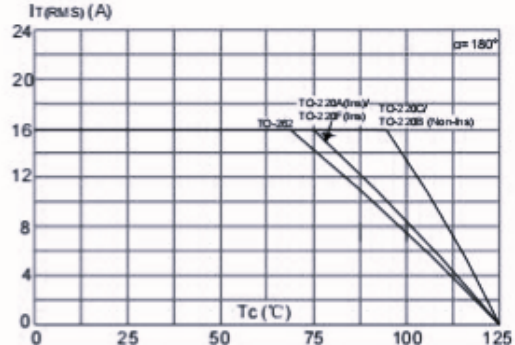
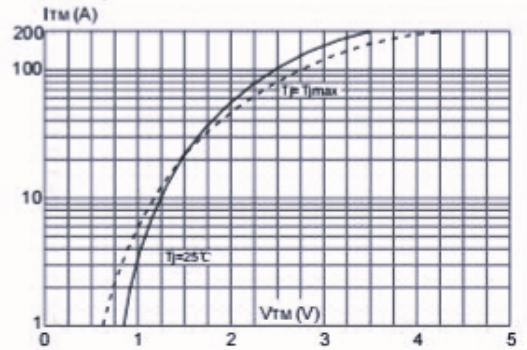
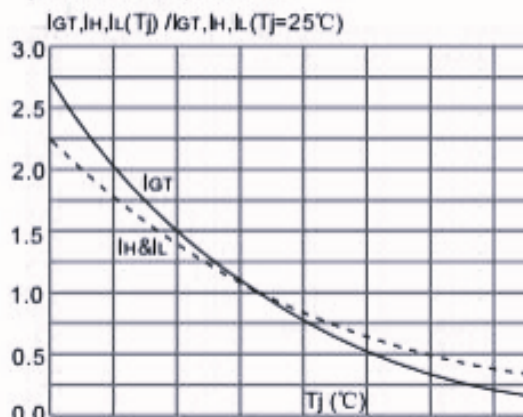


FIG.4: On-state characteristics (maximum values)

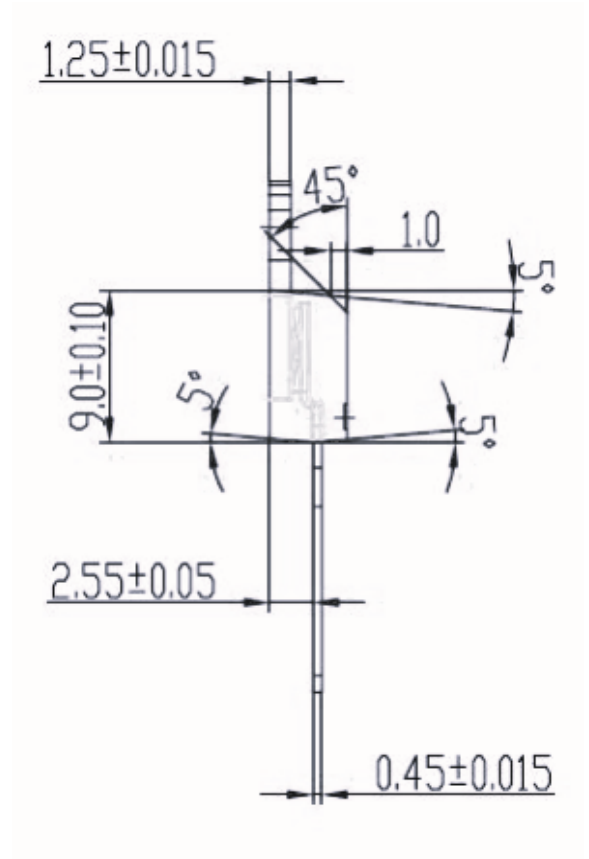
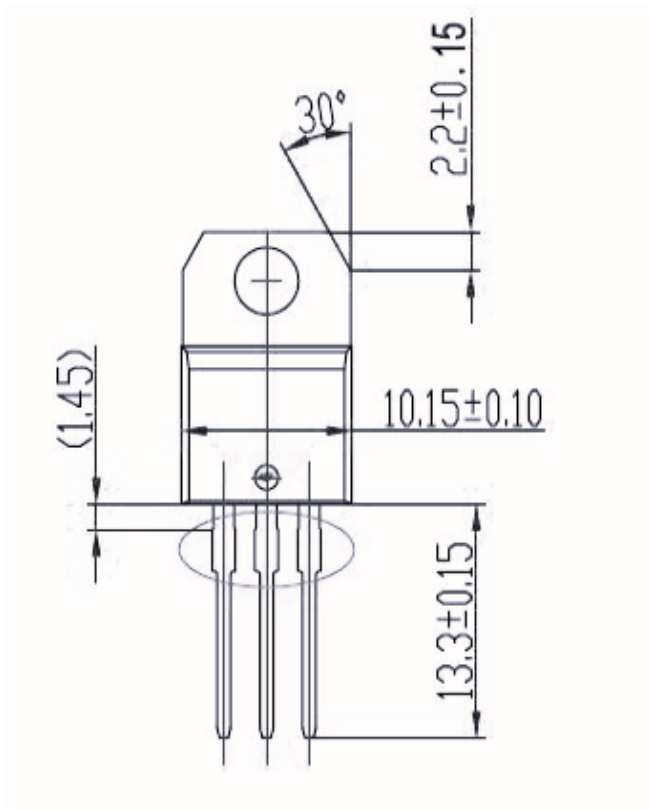


holding current and latching current versus
 junction temperature



TO-220A Dimensional drawing:

Unit: mm (± 0.1)



Ordering information

Order code	Package	Baseqty	Deliverymode
UMW BTA16-600BRG	TO-220A	1000	Tube and box
UMW BTA16-600CRG	TO-220A	1000	Tube and box
UMW BTA16-800BRG	TO-220A	1000	Tube and box
UMW BTA16-600BWRG	TO-220A	1000	Tube and box
UMW BTA16-600CWRG	TO-220A	1000	Tube and box
UMW BTA16-800BWRG	TO-220A	1000	Tube and box
UMW BTA16-800CWRG	TO-220A	1000	Tube and box
UMW BTA16-600SWRG	TO-220A	1000	Tube and box
UMW BTA16-800SWRG	TO-220A	1000	Tube and box

X-ON Electronics

Largest Supplier of Electrical and Electronic Components

Click to view similar products for [Triacs](#) category:

Click to view products by [Youtai](#) manufacturer:

Other Similar products are found below :

[BT137-600-0Q](#) [OT415Q](#) [2N6075A](#) [NTE5688](#) [BTA2008W-800D,135](#) [D31410](#) [ACS102-5T1](#) [ACS102-5TA](#) [MAC97A4G](#) [Z0107MAG](#)
[Z0107MARL1G](#) [Z0109MARLRPG](#) [MAC97A8-TA](#) [BT131W-800](#) [BT138S-800E](#) [BT137S-800E](#) [BT136S-600D](#) [BTA08-600TWRG](#)
[X0405MF-252](#) [MAC97A8-23-3L](#) [MCR100-8-23-3L](#) [BTA24-800B](#) [BT151-600R](#) [BT131](#) [BTA41-1200B](#) [MCR16](#) [MCR100-8](#) [MCR16](#)
[BT131-800D](#) [BT134-800E](#) [BT138-800E](#) [MCR100-8](#) [BTA12-800BWRG\(UMW\)](#) [BTA24-600BWRG\(UMW\)](#) [BTA24-800BWRG\(UMW\)](#)
[BTA12-600BWRG\(UMW\)](#) [BTA16-600CRG\(UMW\)](#) [BTA12-600CRG\(UMW\)](#) [BS61089B-8](#) [BT134W-600E](#) [BT134-600E](#) [JR0405S3](#)
[BCR12PM](#) [MAC97A6](#) [BTA24-800CRG\(UMW\)](#) [BTA16-600BRG\(UMW\)](#) [BTA16-800BWRG\(UMW\)](#) [Z0109-NN](#) [BTA41](#) [MCR100-8U](#)