

LSOP4, DC Input, Photo Transistor Coupler

**Description**

The UMW101X series combine an AlGaAs infrared emitting diode as the emitter which is optically coupled to a silicon planar phototransistor detector in a plastic LSOP4 package.

With the robust coplanar double mold structure, UMW101X series provide the most stable isolation feature.

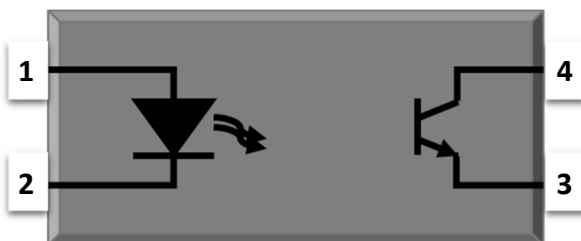
**Features**

- High isolation 5000 VRMS
- CTR flexibility available see order information
- DC input with transistor output
- Operating temperature range - 55 °C to 110 °C
- RoHS & REACH Compliance
- Halogen free
- MSL class 1
- UL Recognized: UL1577, File No. E492440

**Applications**

- Switch mode power supplies
- Programmable controllers
- Household appliances
- Office equipment

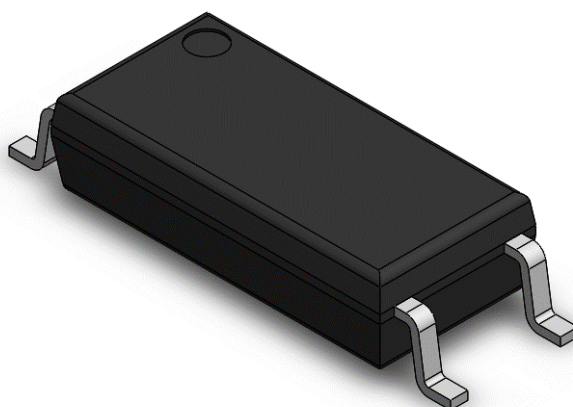
**SCHEMATIC**



**PIN DEFINITION**

1. Anode
2. Cathode
3. Emitter
4. Collector

**PACKAGE OUTLINE**



ABSOLUTE MAXIMUM RATINGS				
PARAMETER	SYMBOL	VALUE	UNIT	NOTE
INPUT				
Forward Current	$I_F$	60	mA	
Peak Forward Current	$I_{FP}$	1	A	1
Reverse Voltage	$V_R$	6	V	
Input Power Dissipation	$P_I$	100	mW	
OUTPUT				
Collector - Emitter Voltage	$V_{CEO}$	80	V	
Emitter - Collector Voltage	$V_{ECO}$	7	V	
Collector Current	$I_C$	50	mA	
Output Power Dissipation	$P_O$	150	mW	
COMMON				
Total Power Dissipation	$P_{tot}$	250	mW	
Isolation Voltage	$V_{iso}$	5000	V <sub>rms</sub>	2
Operating Temperature	$T_{opr}$	-55~110	°C	
Storage Temperature	$T_{stg}$	-55~125	°C	
Soldering Temperature	$T_{sol}$	260	°C	

Note 1. 100μs pulse, 100Hz frequency

Note 2. AC For 1 Minute, R.H. = 40 ~ 60%

**ELECTRICAL OPTICAL CHARACTERISTICS at Ta=25°C**

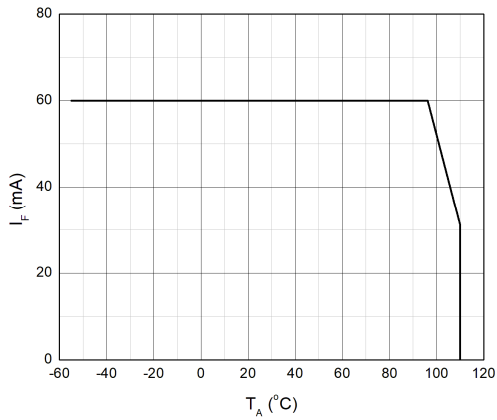
PARAMETER	SYMBOL	MIN.	TYP.	MAX.	UNIT	TEST CONDITION	NOTE		
INPUT									
Forward Voltage	$V_F$	-	1.24	1.4	V	$I_F=10\text{mA}$			
Reverse Current	$I_R$	-	-	10	$\mu\text{A}$	$V_R=6\text{V}$			
Input Capacitance	$C_{in}$	-	30	250	pF	$V=0, f=1\text{kHz}$			
OUTPUT									
Collector Dark Current	$I_{CEO}$	-	-	100	nA	$V_{CE}=20\text{V}, I_F=0$			
Collector-Emitter Breakdown Voltage	$BV_{CEO}$	80	-	-	V	$I_C=0.1\text{mA}, I_F=0$			
Emitter-Collector Breakdown Voltage	$BV_{ECO}$	7	-	-	V	$I_E=0.1\text{mA}, I_F=0$			
TRANSFER CHARACTERISTICS									
Current Transfer Ratio	UMW1017 UMW1018 UMW1019	CTR	80 130 200	- - -	160 260 400	$I_F=5\text{mA}, V_{CE}=5\text{V}$			
Collector-Emitter Saturation Voltage	$V_{CE(sat)}$		-	0.1	0.3			V	$I_F=10\text{mA}, I_C=1\text{mA}$
Isolation Resistance	$R_{ISO}$		$10^{12}$	$10^{14}$	-			$\Omega$	DC500V, 40 ~ 60% R.H.
Floating Capacitance	$C_{IO}$	-	0.4	1	pF	$V=0, f=1\text{MHz}$			
Cut-off Frequency	$F_c$	-	80	-	kHz	$V_{CE}=2\text{V}, I_C=2\text{mA}$ $R_L=100\Omega, -3\text{dB}$	3		
Response Time (Rise)	$T_r$	-	5	18	$\mu\text{s}$	$V_{CE}=2\text{V}, I_C=2\text{mA}$ $R_L=100\Omega$	4		
Response Time (Fall)	$T_f$	-	6	18	$\mu\text{s}$		4		

Note 3. Fig.12&amp;13

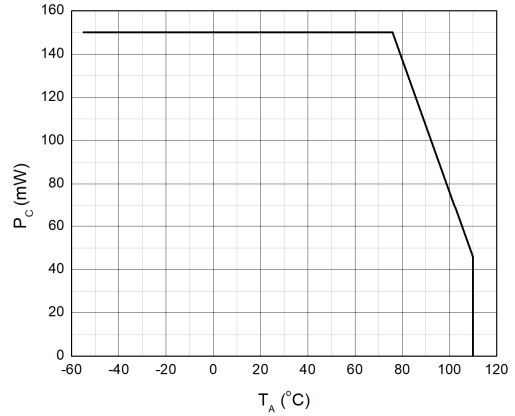
Note 4. Fig.14

**CHARACTERISTIC CURVES**

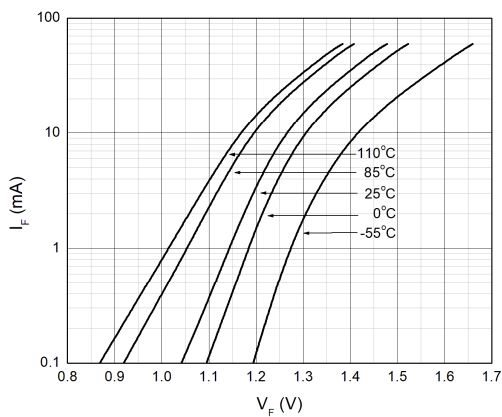
**Fig.1 Forward Current vs. Ambient Temperature**



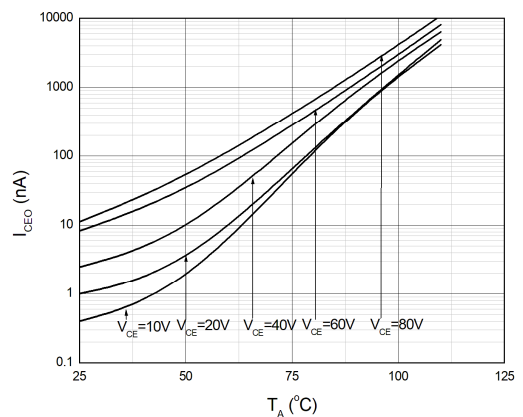
**Fig.2 Collector Power Dissipation vs. Ambient Temperature**



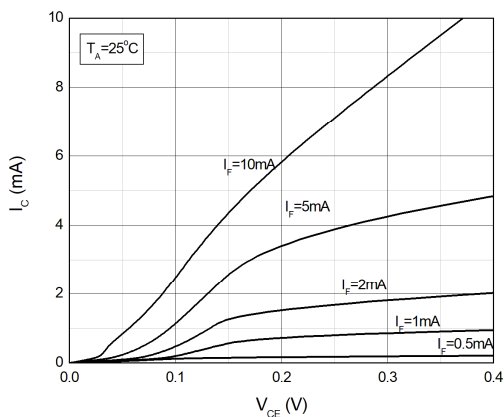
**Fig.3 Forward Current vs. Forward Voltage**



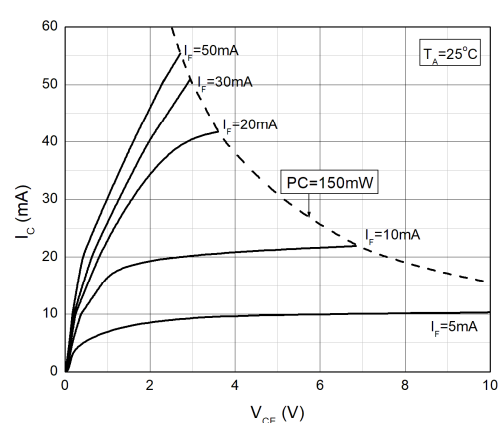
**Fig.4 Collector Dark Current vs. Ambient Temperature**



**Fig.5 Collector Current vs. Collector-emitter Voltage**

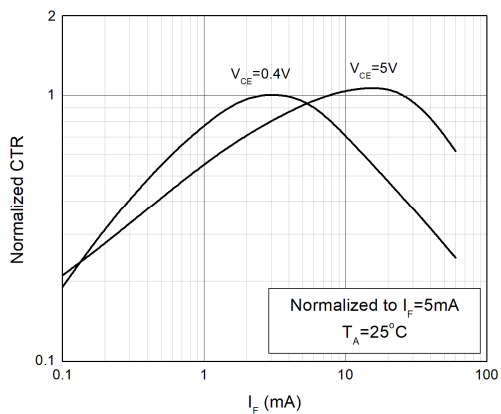


**Fig.6 Collector Current vs. Collector-emitter Voltage**

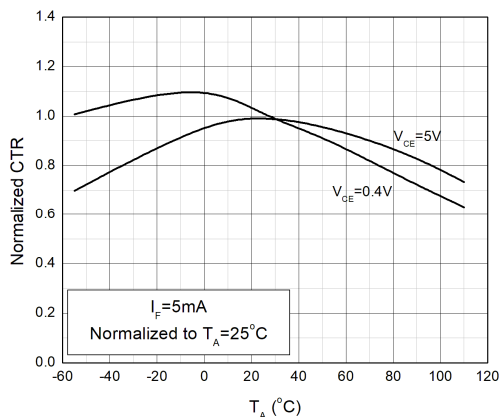


**CHARACTERISTIC CURVES**

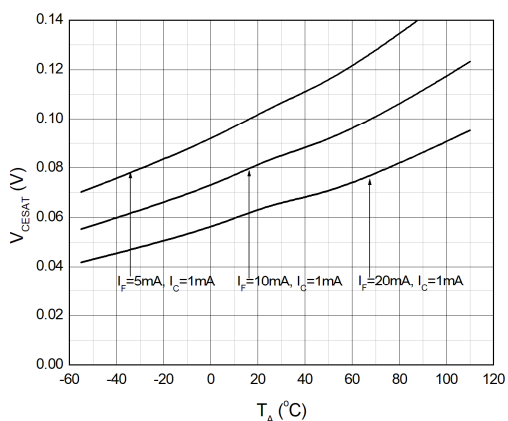
**Fig.7 Normalized Current Transfer Ratio vs. Forward Current**



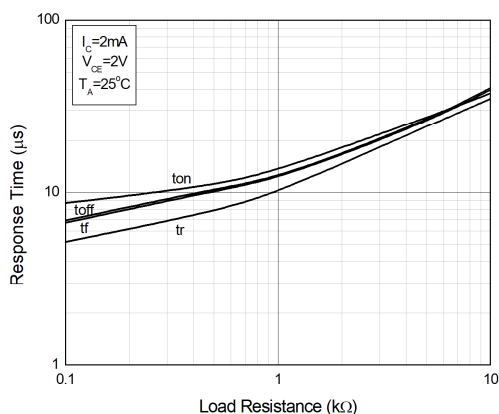
**Fig.8 Normalized Current Transfer Ratio vs. Ambient Temperature**



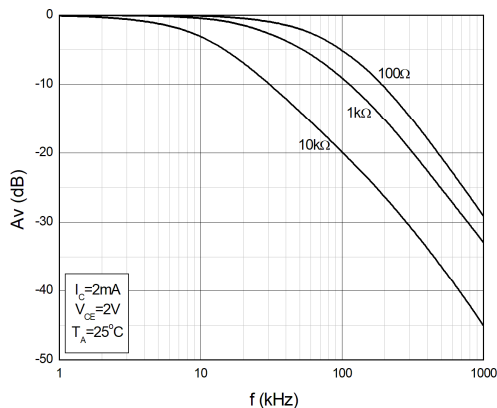
**Fig.9 Collector-emitter Saturation Voltage vs. Ambient Temperature**



**Fig.10 Switching Time vs. Load Resistance**

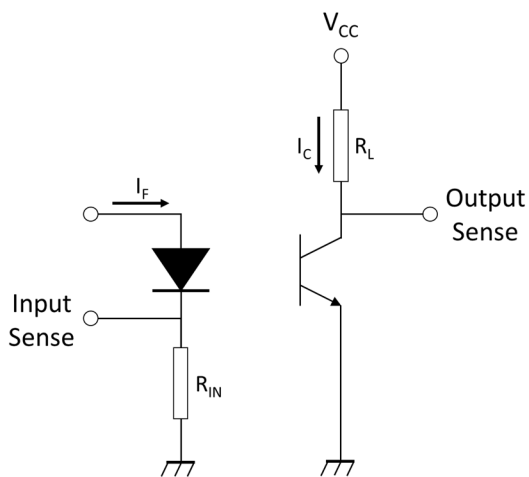


**Fig.11 Frequency Response**

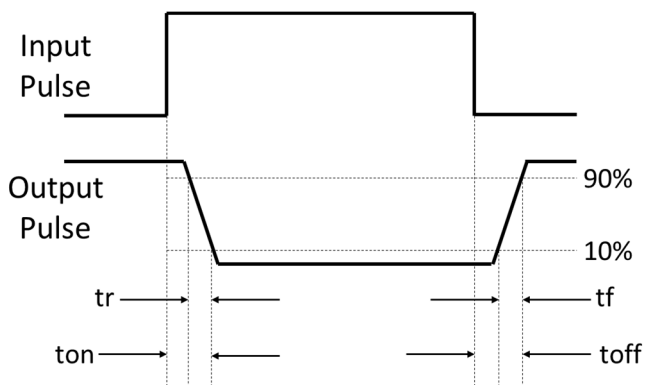


**TEST CIRCUITS**

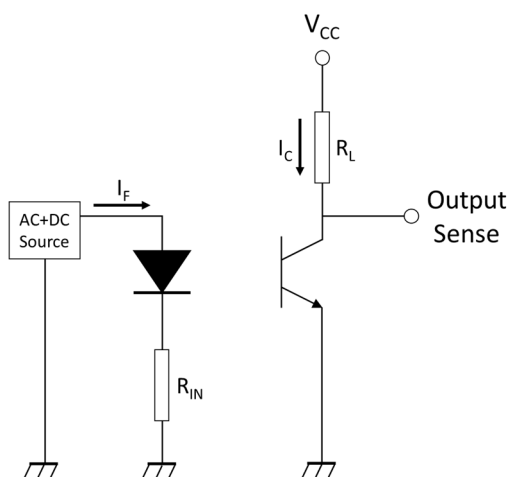
**Fig.12 Test Circuits of Response Time**



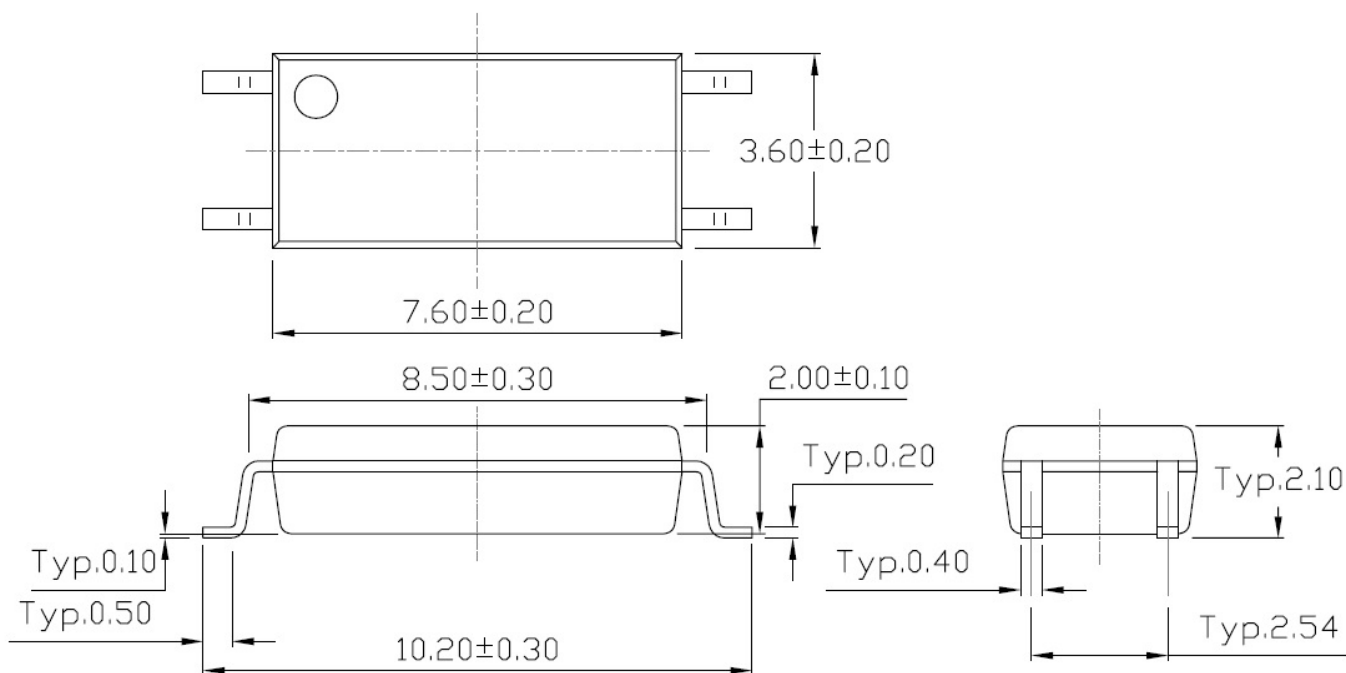
**Fig.13 Curves of Response Time**



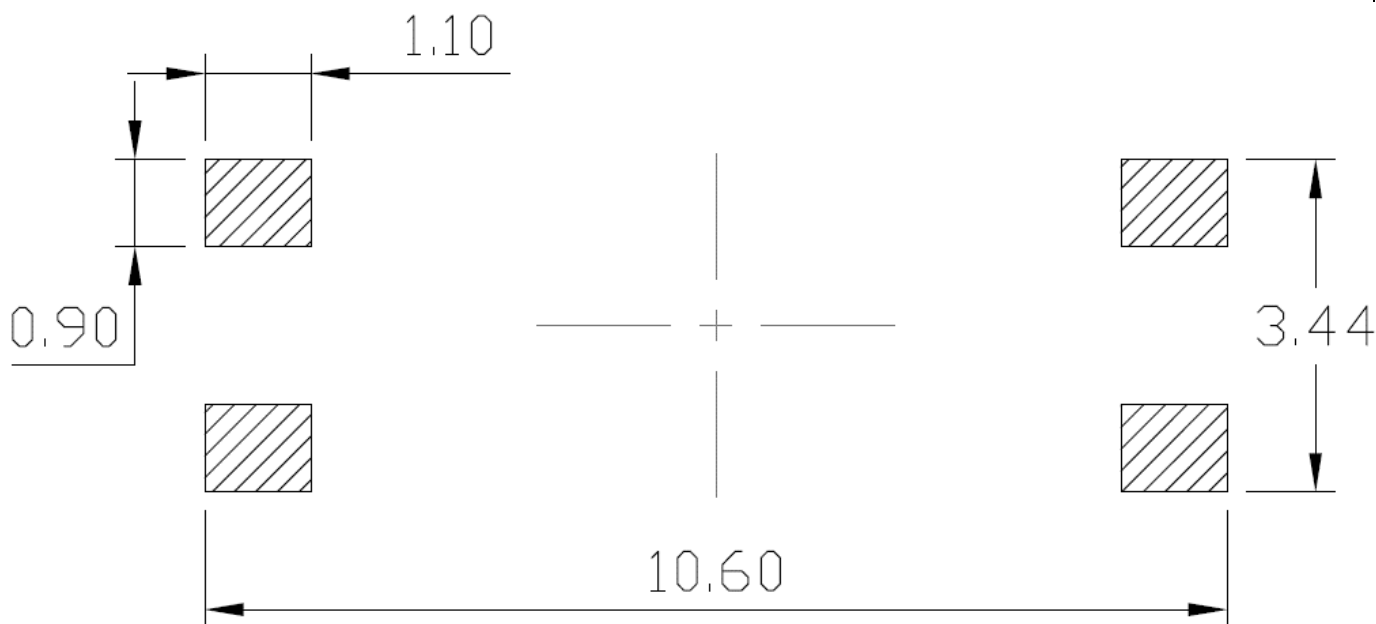
**Fig.14 Test Circuits of Frequency Response**



**PACKAGE DIMENSIONS (Dimensions in mm unless otherwise stated)**

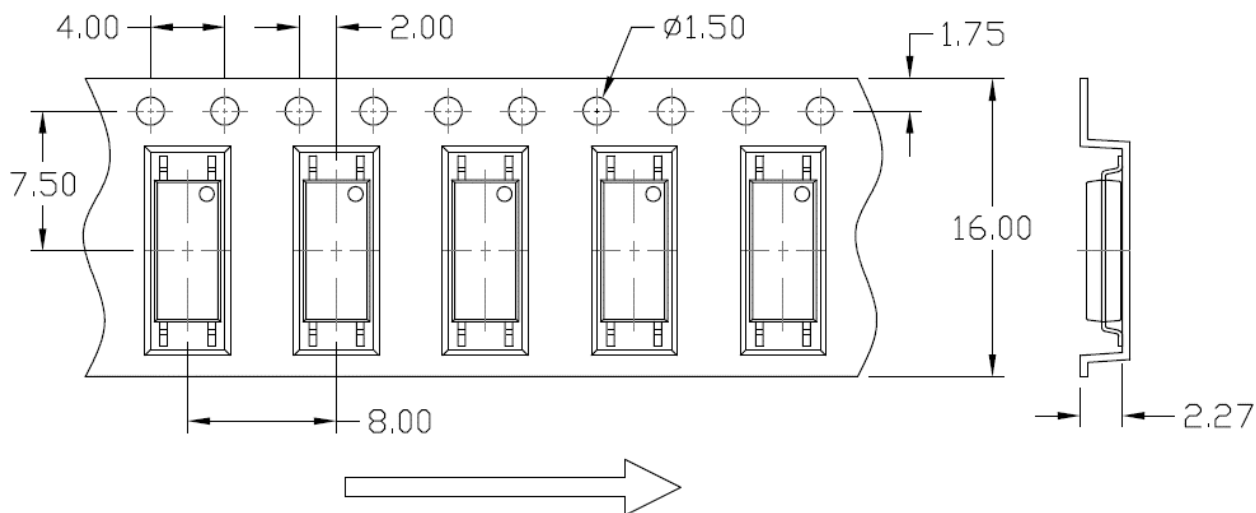


**RECOMMENDED SOLDER MASK (Dimensions in mm unless otherwise stated)**

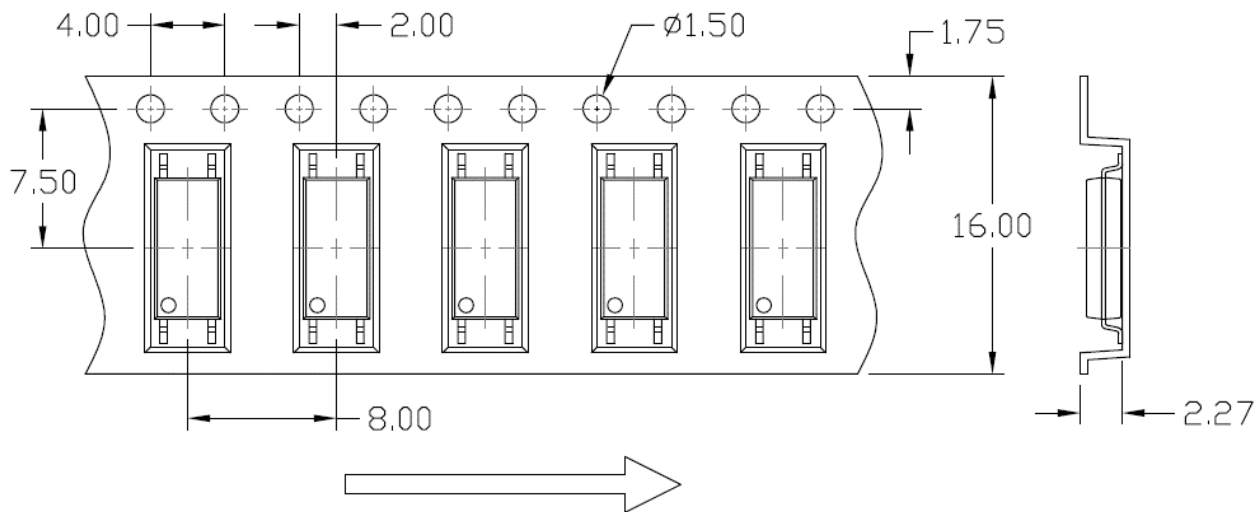


**CARRIER TAPE SPECIFICATIONS (Dimensions in mm unless otherwise stated)**

**Option T1**



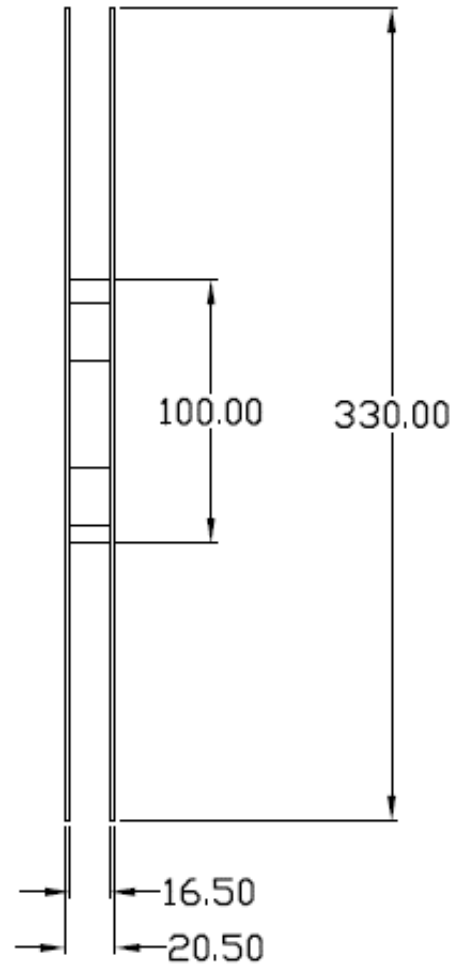
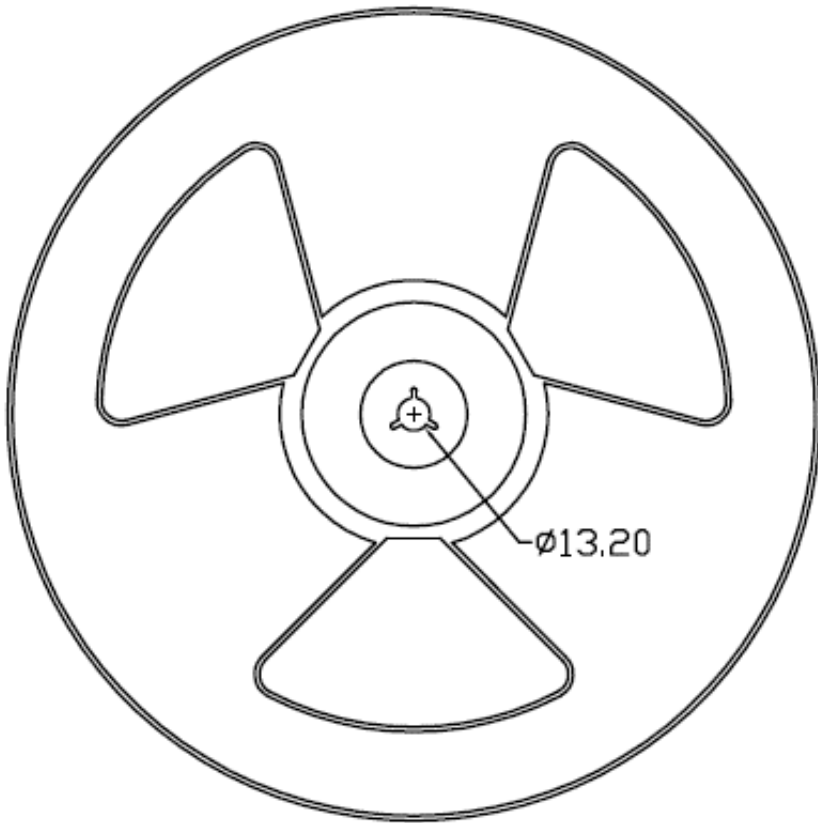
**Option T2**

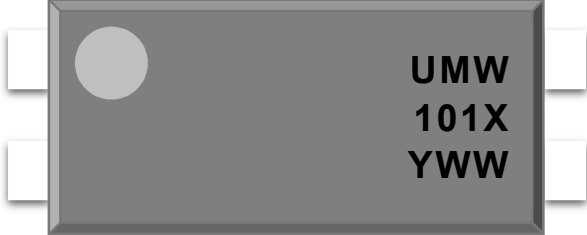




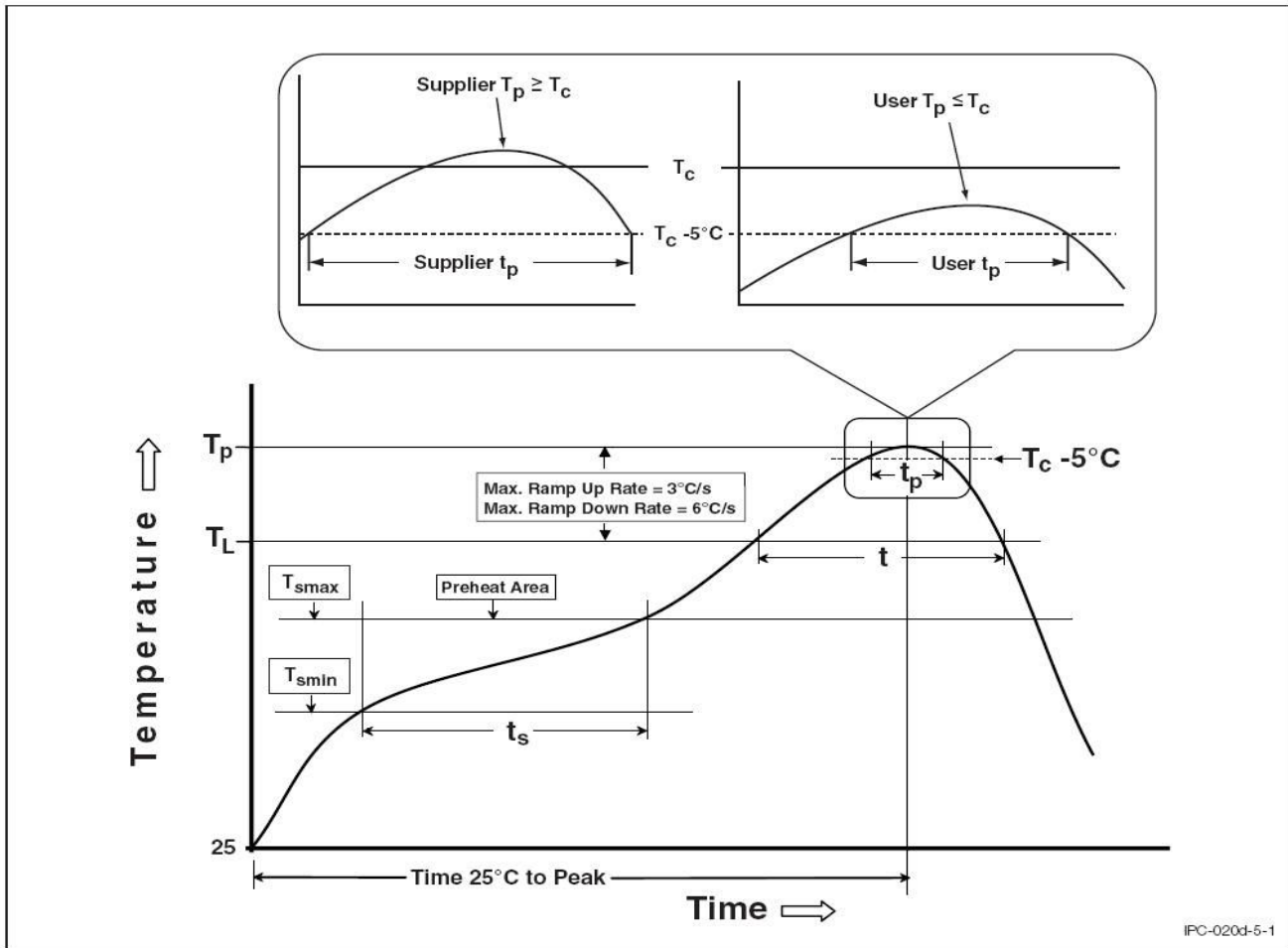
**REEL SPECIFICATIONS (Dimensions in mm unless otherwise stated)**

**Option T1 & T2**



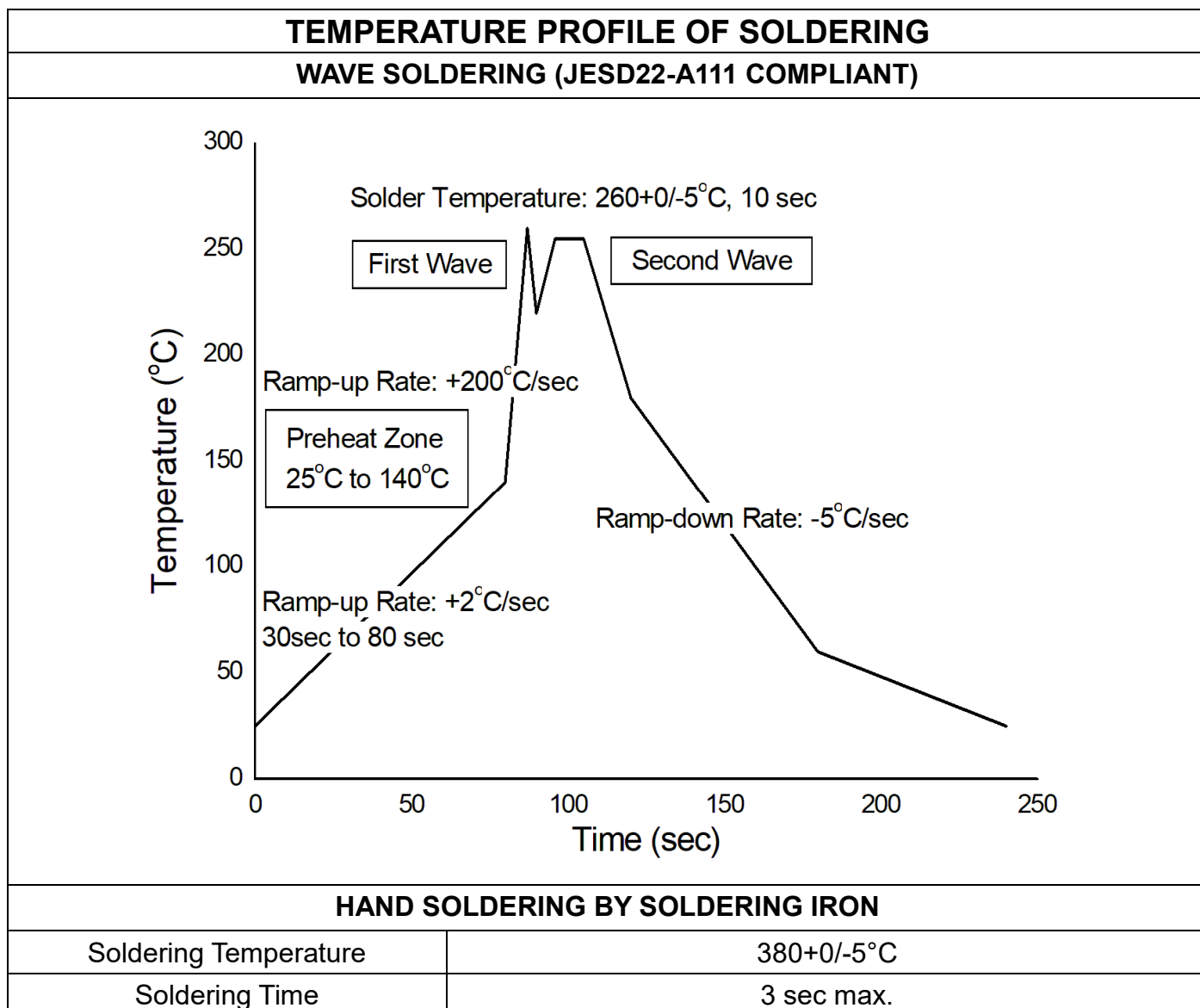
<b>ORDERING AND MARKING INFORMATION</b>	
<b>MARKING INFORMATION</b>	
	<p><b>UMW</b> : Company Abbr.  <b>101X</b> : Part Number &amp; Rank  <b>Y</b> : Fiscal Year  <b>WW</b> : Work Week</p>
<b>ORDERING INFORMATION</b>	
<b>UMW EL101X-S</b>	
<p>UMW – Company Abbr.            EL101X – Rank (0/1/2/3/4/5/6/7/8/9)            S – Tape and Reel Option</p>	

**TEMPERATURE PROFILE OF SOLDERING**  
**IR REFLOW SOLDERING (J-SUMW-020D COMPLIANT)**



IPC-020d-5-1

Profile Feature	Sn-Pb Assembly Profile	Pb-Free Assembly Profile
Temperature Min. (Tsmmin)	100	150°C
Temperature Max. (Tsmmax)	150	200°C
Time (ts) from (Tsmmin to Tsmmax)	60-120 seconds	60-120 seconds
Ramp-up Rate (tL to tP)	3°C/second max.	3°C/second max.
Liquidous Temperature (TL)	183°C	217°C
Time (tL) Maintained Above (TL)	60 – 150 seconds	60 – 150 seconds
Peak Body Package Temperature	235°C +0°C / -5°C	260°C +0°C / -5°C
Time (tP) within 5°C of 260°C	20 seconds	30 seconds
Ramp-down Rate (TP to TL)	6°C/second max	6°C/second max
Time 25°C to Peak Temperature	6 minutes max.	8 minutes max.



Note 5. One time soldering is recommended for all soldering method.

Note 6. Do not solder more than three times for IR reflow soldering.

## X-ON Electronics

Largest Supplier of Electrical and Electronic Components

*Click to view similar products for [youtai](#) manufacturer:*

Other Similar products are found below :

[STN4438](#) [L9110S](#) [LM2576S-12](#) [LM2576S-3.3](#) [XC6219B302MR](#) [MMBT4401](#) [LD1117-2.5](#) [UMW78L05-150ma](#) [817B](#) [S9015](#)

[AMS1084CM-ADJ](#) [BC847C](#) [BAS21](#) [XC6206P362PR](#) [LM2576S-5.0](#) [LM2576S-ADJ](#) [MB6M\(0.8A\)](#) [AO3416A](#) [UMW78M06](#) [BC856B](#)

[HT7330-A](#) [UMW78L08-150ma](#) [BAT54A](#) [UMW78L06-300ma](#) [UMW78L08-300ma](#) [L7808CV](#) [BAT54](#) [HT7336-A](#) [UMW10N65F](#) [SI2306A](#)

[MMBTA42](#) [ET6226M](#) [MMBTA06](#) [ULN2803A](#) [MMBT4403](#) [IRLML5203](#) [LM258DR](#) [HT7536-1](#) [MMBTH10](#) [SI2307A](#) [AO3403A](#)

[XC6206P302PR](#) [UMW78L05](#) [LD1117-1.2](#) [AMS1084CM-3.3](#) [1117CD-ADJ](#) [L7809CV](#) [BAV70](#) [2SC2712](#) [2SC3265](#)