

Description

The UMW357 series combine an AlGaAs infrared emitting diode as the emitter which is optically coupled to a silicon planar phototransistor detector in a plastic SOP4 package.

With the robust coplanar double mold structure, UMW357 series provide the most stable isolation feature.

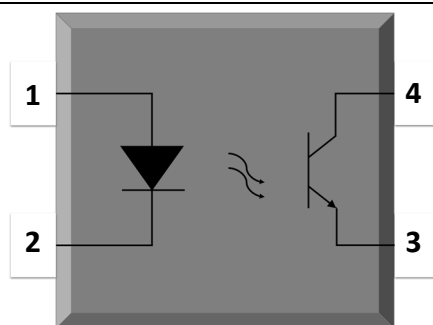
Features

- High isolation 3750 VRMS
- CTR flexibility available see order information
- DC input with transistor output
- Operating temperature range - 55 °C to 110 °C
- REACH compliance
- Halogen free
- MSL class 1
- UL Recognized: UL1577, File No. E492440

Applications

- Switch mode power supplies
- Programmable controllers
- Household appliances
- Office equipment

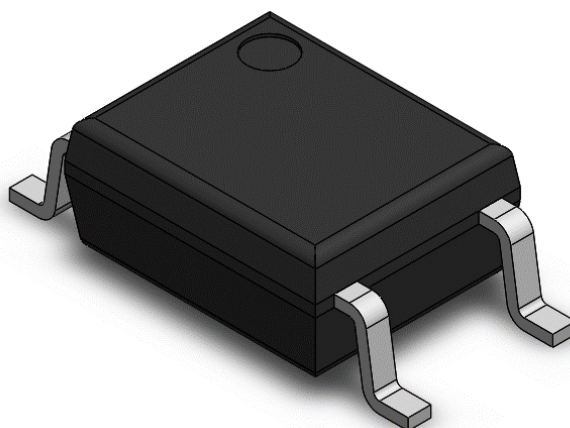
SCHEMATIC



PIN DEFINITION

1. Anode
2. Cathode
3. Emitter
4. Collector

PACKAGE OUTLINE



ABSOLUTE MAXIMUM RATINGS				
PARAMETER	SYMBOL	VALUE	UNIT	NOTE
INPUT				
Forward Current	I_F	60	mA	
Peak Forward Current	I_{FP}	1	A	1
Reverse Voltage	V_R	6	V	
Input Power Dissipation	P_I	100	mW	
OUTPUT				
Collector - Emitter Voltage	V_{CEO}	35	V	
Emitter - Collector Voltage	V_{ECO}	7	V	
Collector Current	I_C	50	mA	
Output Power Dissipation	P_O	150	mW	
COMMON				
Total Power Dissipation	P_{tot}	200	mW	
Isolation Voltage	V_{iso}	3750	Vrms	2
Operating Temperature	T_{opr}	-55~110	°C	
Storage Temperature	T_{stg}	-55~125	°C	
Soldering Temperature	T_{sol}	260	°C	

Note 1. 100μs pulse, 100Hz frequency

Note 2. AC For 1 Minute, R.H. = 40 ~ 60%

ELECTRICAL OPTICAL CHARACTERISTICS at Ta=25°C								
PARAMETER	SYMBOL	MIN	TYP.	MAX.	UNIT	TEST CONDITION	NOTE	
INPUT								
Forward Voltage	V _F	-	1.24	1.4	V	IF=10mA		
Reverse Current	I _R	-	-	10	μA	VR=6V		
Input Capacitance	C _{in}	-	10	-	pF	V=0, f=1kHz		
OUTPUT								
Collector Dark Current	I _{CEO}	-	-	100	nA	VCE=20V, IF=0		
Collector-Emitter Breakdown Voltage	BV _{CEO}	35	-	-	V	IC=0.1mA, IF=0		
Emitter-Collector Breakdown Voltage	BV _{ECO}	7	-	-	V	IE=0.1mA, IF=0		
TRANSFER CHARACTERISTICS								
Current Transfer Ratio	UMW357	CTR	50	-	600	%	IF=5mA, VCE=5V	
	UMW357A		80	-	160			
	UMW357B		130	-	260			
	UMW357C		200	-	400			
Collector-Emitter Saturation Voltage	V _{CE(sat)}	-	0.06	0.2	V	IF=20mA, IC=1mA		
Isolation Resistance	R _{ISO}	10 ¹²	10 ¹⁴	-	Ω	DC500V, 40 ~ 60% R.H.		
Floating Capacitance	C _{IO}	-	0.4	1	pF	V=0, f=1MHz		
Cut-off Frequency	f _c	-	80	-	kHz	VCE=2V, IC=2mA RL=100Ω, -3dB	4	
Response Time (Rise)	t _r	-	3	18	μs	VCE=2V, IC=2mA	3	
Response Time (Fall)	t _f	-	4	18	μs	RL=100Ω	3	

Note 3. Fig.12&13

Note 4. Fig.14

CHARACTERISTIC CURVES

Fig.1 Forward Current vs. Ambient Temperature

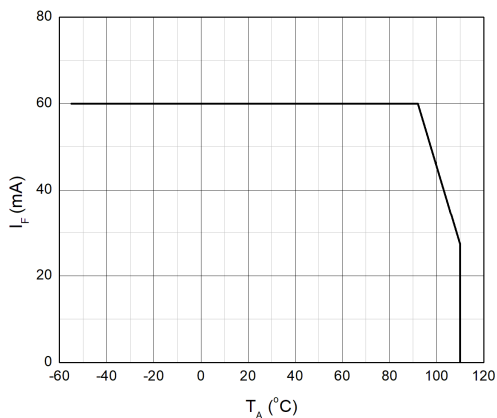


Fig.2 Collector Power Dissipation vs. Ambient Temperature

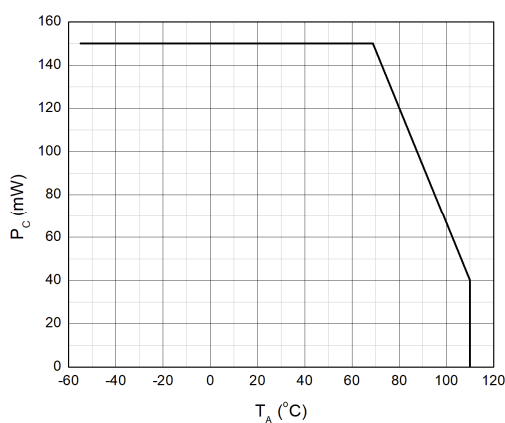


Fig.3 Forward Current vs. Forward Voltage

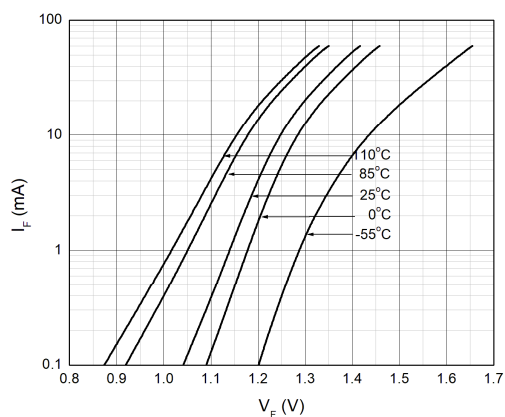


Fig.4 Collector Dark Current vs. Ambient Temperature

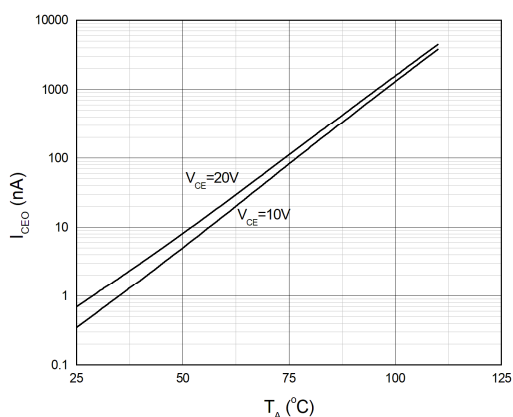


Fig.5 Collector Current vs. Collector-emitter Voltage

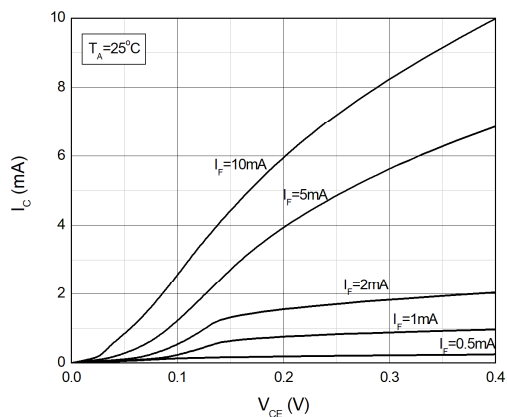
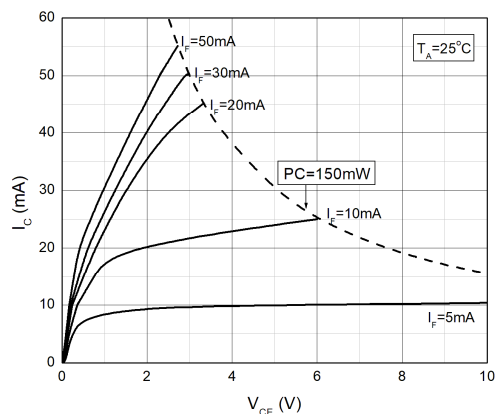


Fig.6 Collector Current vs. Collector-emitter Voltage



CHARACTERISTIC CURVES

Fig.7 Normalized Current Transfer Ratio vs. Forward Current

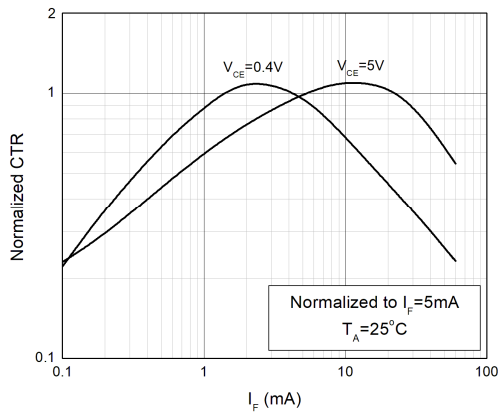


Fig.8 Normalized Current Transfer Ratio vs. Ambient Temperature

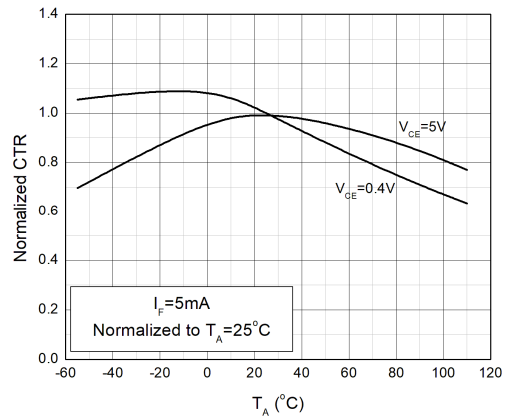


Fig.9 Collector-emitter Saturation Voltage vs. Ambient Temperature

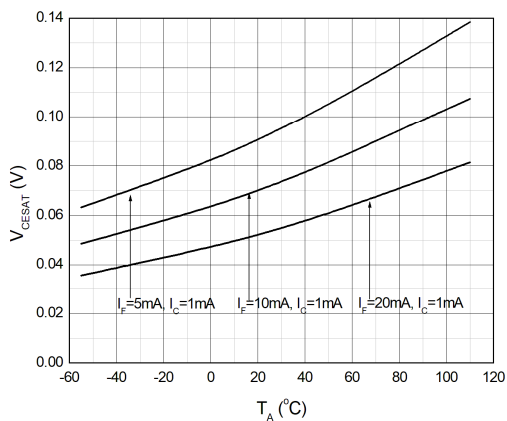


Fig.10 Switching Time vs. Load Resistance

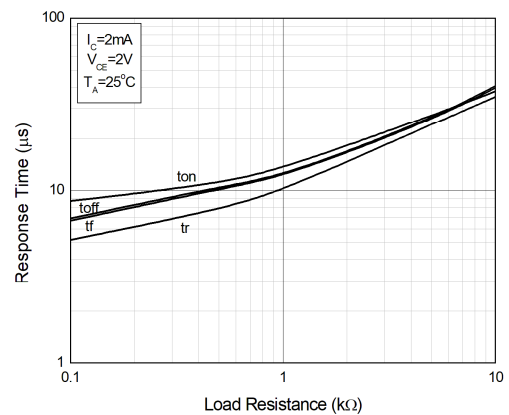
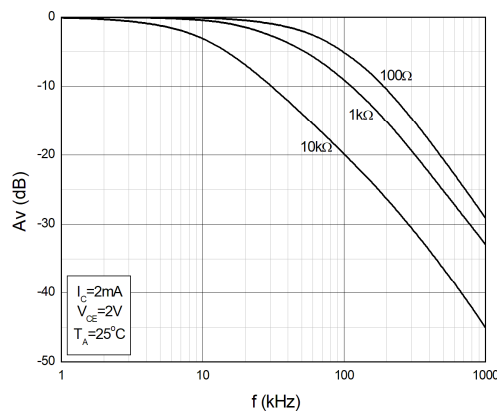


Fig.11 Frequency Response



TEST CIRCUITS

Fig.12 Test Circuits of Response Time

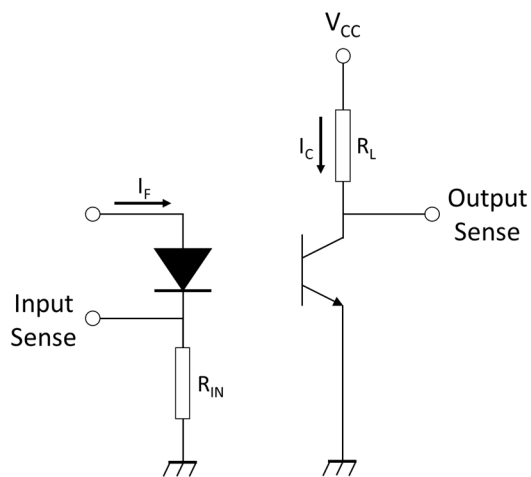


Fig.13 Curves of Response Time

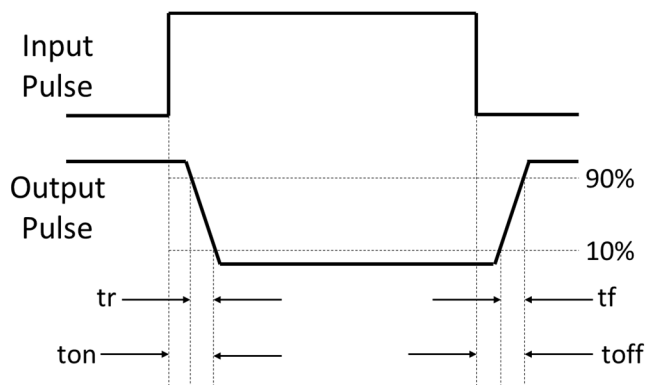
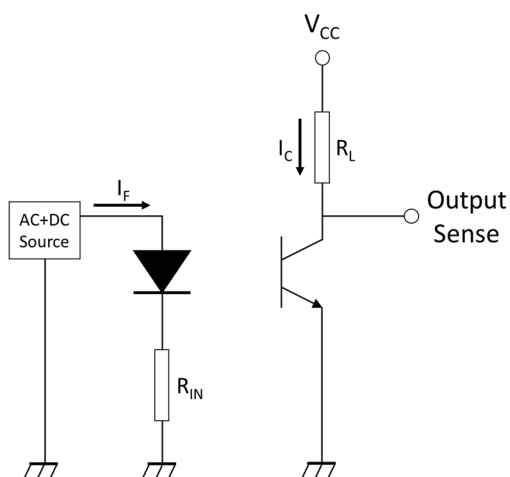
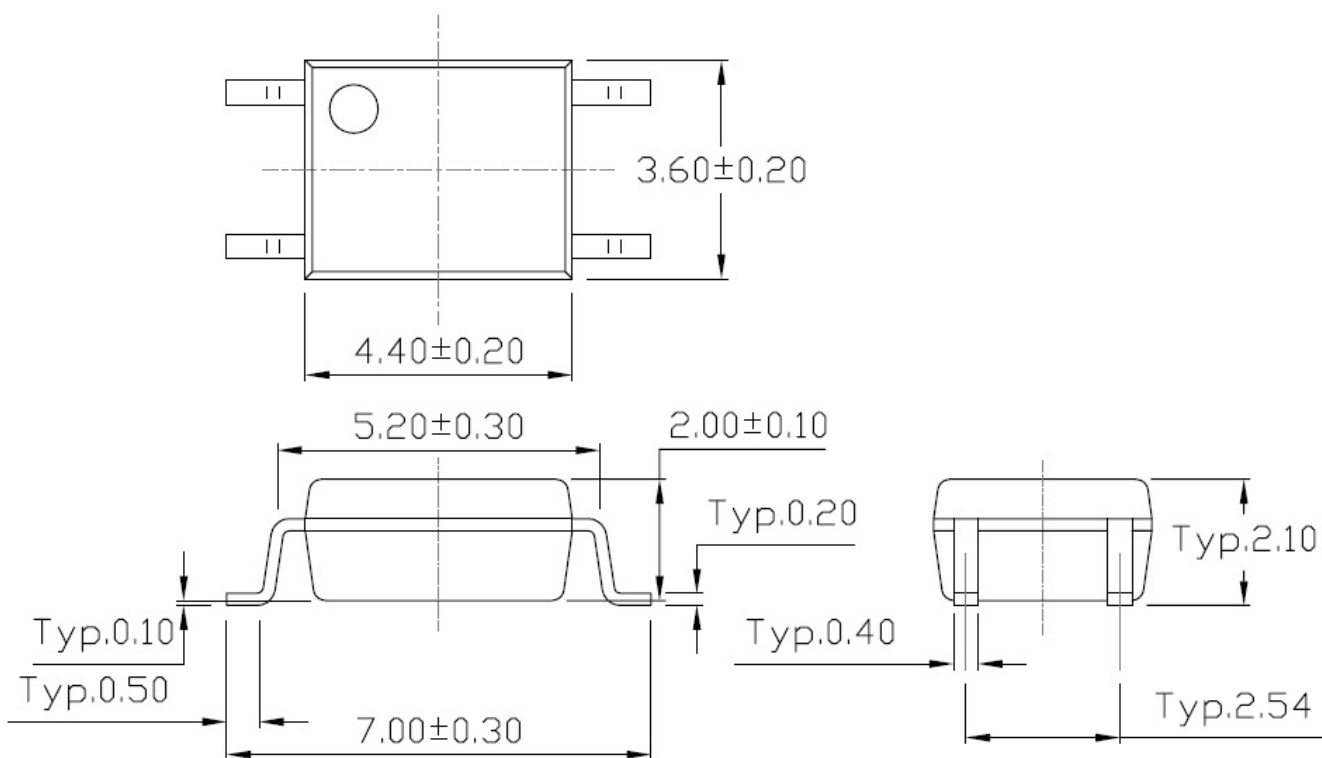


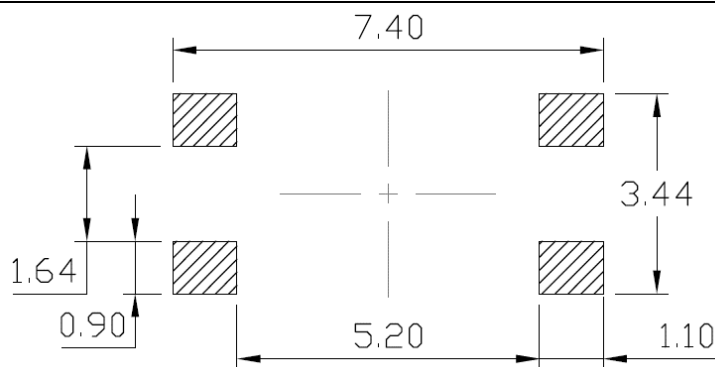
Fig.14 Test Circuits of Frequency Response



PACKAGE DIMENSIONS (Dimensions in mm unless otherwise stated)

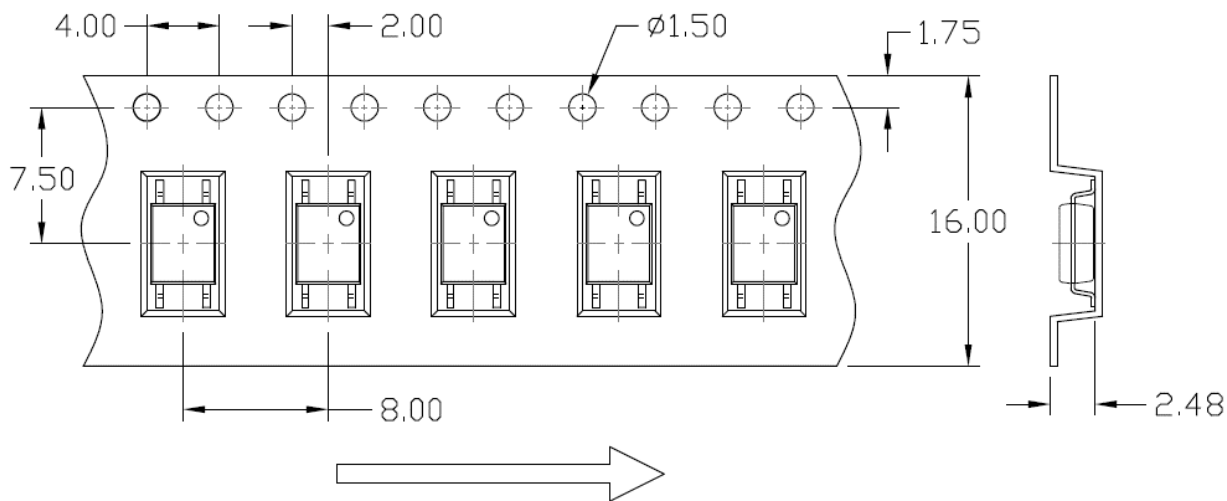


Recommended Solder Mask (Dimensions in mm unless otherwise stated)

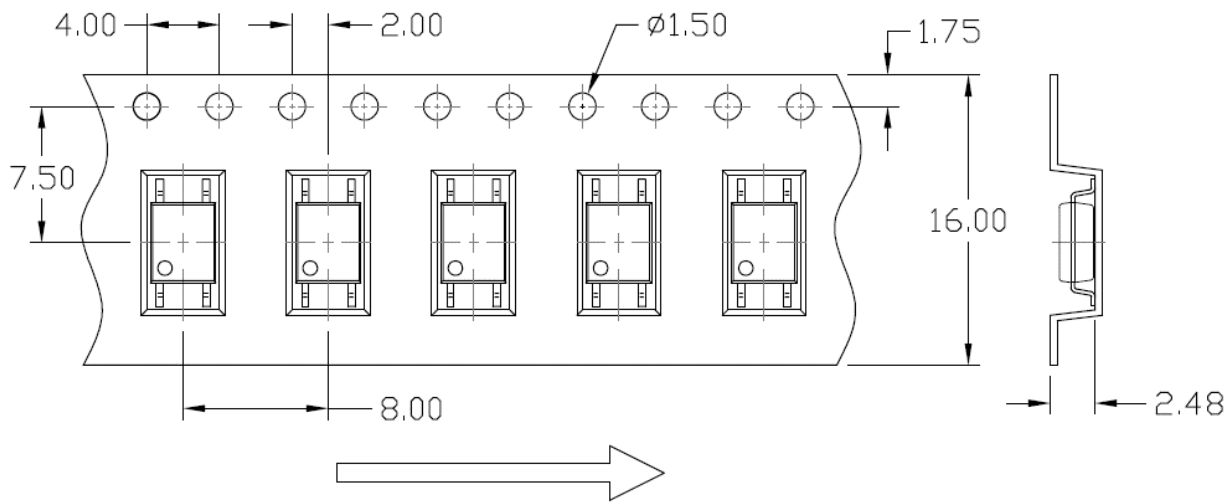


CARRIER TAPE SPECIFICATIONS (Dimensions in mm unless otherwise stated)

Option T1

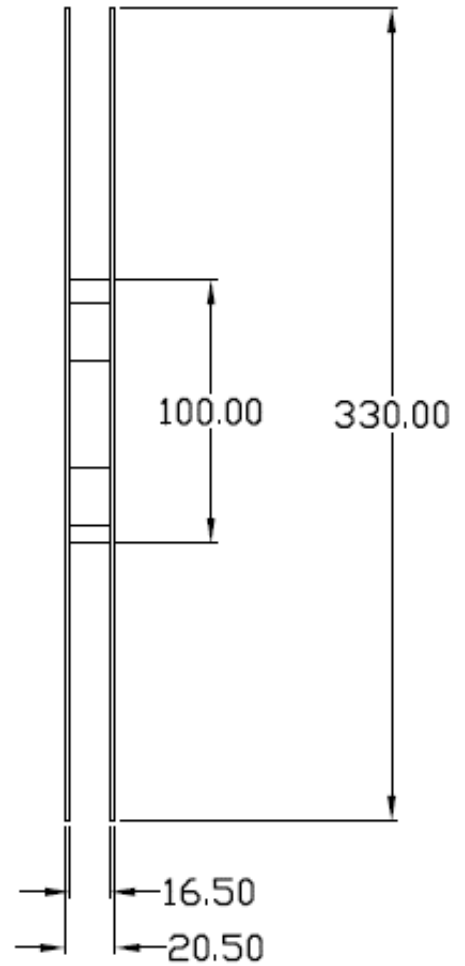
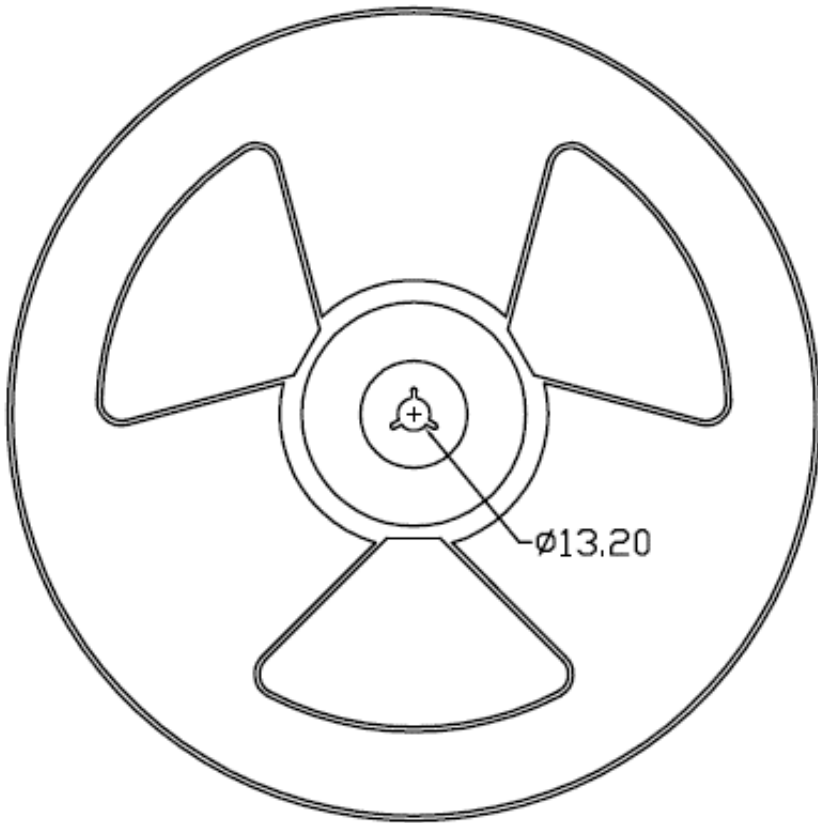


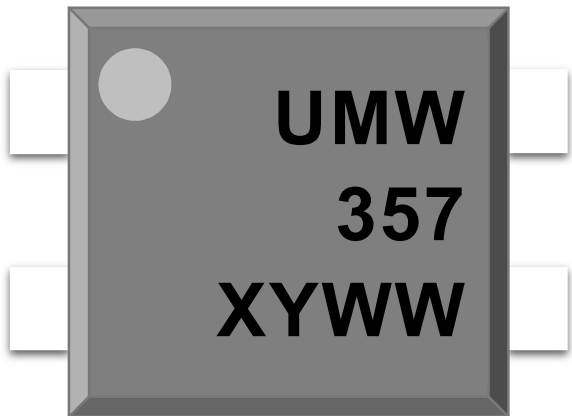
Option T2



REEL SPECIFICATIONS (Dimensions in mm unless otherwise stated)

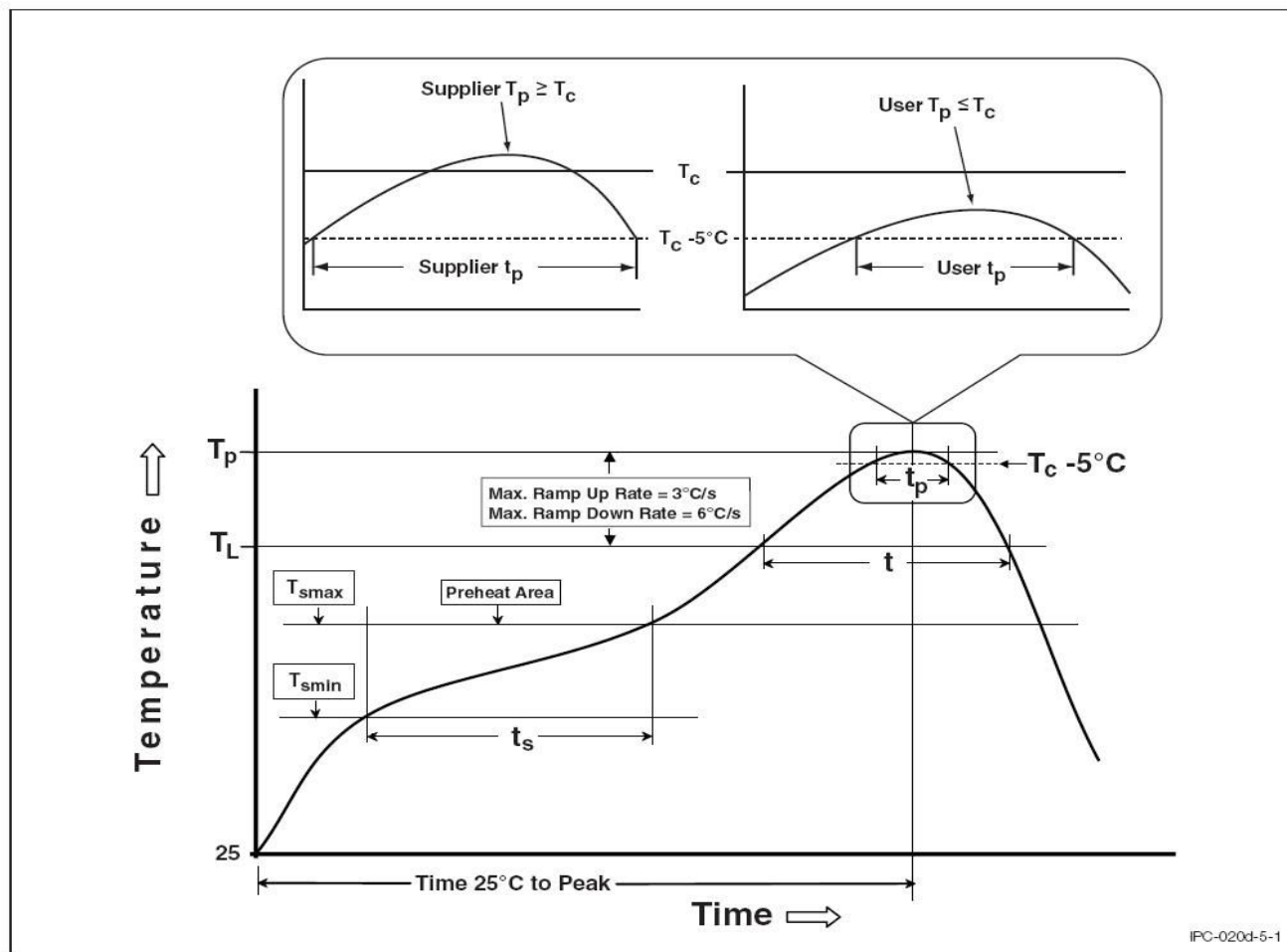
Option T1 & T2



ORDERING AND MARKING INFORMATION	
MARKING INFORMATION	
	<p>UMW : Company Abbr. 357 : Part Number X : CTR Rank Y : Fiscal Year WW : Work Week</p>
ORDERING INFORMATION	
UMW EL357X-S	
<p>UMW – Company Abbr. EL357 – Part Number X – Rank (A/B/C or None) S– Tape and Reel Option</p>	

REFLOW INFORMATION

REFLOW PROFILE



IPC-020d-5-1

Profile Feature	Sn-Pb Assembly Profile	Pb-Free Assembly Profile
Temperature Min. (T _{smin})	100	150°C
Temperature Max. (T _{smax})	150	200°C
Time (t _s) from (T _{smin} to T _{smax})	60-120 seconds	60-120 seconds
Ramp-up Rate (t _L to t _P)	3°C/second max.	3°C/second max.
Liquidous Temperature (T _L)	183°C	217°C
Time (t _L) Maintained Above (T _L)	60 – 150 seconds	60 – 150 seconds
Peak Body Package Temperature	235°C +0°C / -5°C	260°C +0°C / -5°C
Time (t _P) within 5°C of 260°C	20 seconds	30 seconds
Ramp-down Rate (T _P to T _L)	6°C/second max	6°C/second max
Time 25°C to Peak Temperature	6 minutes max.	8 minutes max.

X-ON Electronics

Largest Supplier of Electrical and Electronic Components

Click to view similar products for [youtai](#) manufacturer:

Other Similar products are found below :

[STN4438](#) [L9110S](#) [LM2576S-12](#) [LM2576S-3.3](#) [XC6219B302MR](#) [MMBT4401](#) [LD1117-2.5](#) [UMW78L05-150ma](#) [817B](#) [S9015](#)

[AMS1084CM-ADJ](#) [BC847C](#) [BAS21](#) [XC6206P362PR](#) [LM2576S-5.0](#) [LM2576S-ADJ](#) [MB6M\(0.8A\)](#) [AO3416A](#) [UMW78M06](#) [BC856B](#)

[HT7330-A](#) [UMW78L08-150ma](#) [BAT54A](#) [UMW78L06-300ma](#) [UMW78L08-300ma](#) [L7808CV](#) [BAT54](#) [HT7336-A](#) [UMW10N65F](#) [SI2306A](#)

[MMBTA42](#) [ET6226M](#) [MMBTA06](#) [ULN2803A](#) [MMBT4403](#) [IRLML5203](#) [LM258DR](#) [HT7536-1](#) [MMBTH10](#) [SI2307A](#) [AO3403A](#)

[XC6206P302PR](#) [UMW78L05](#) [LD1117-1.2](#) [AMS1084CM-3.3](#) [1117CD-ADJ](#) [L7809CV](#) [BAV70](#) [2SC2712](#) [2SC3265](#)