

### General Description

The LMV721A (single), LMV722A (dual) and LMV724A (quad) are low noise, low voltage, and micro power operational amplifiers. With an excellent bandwidth of 10MHz, a slew rate of 9V/ $\mu$ s, and a quiescent current of 1000 $\mu$ A per amplifier at 5V, the LMV72xA family can be designed into a wide range of applications.

The LMV72xA op-amps are designed to provide optimal performance in low voltage and low noise systems. The input common-mode voltage range includes ground, and the maximum input offset voltage are 3.5mV. These parts provide rail-to-rail output swing into heavy loads. The LMV72xA family is specified for single or dual power supplies of +2.5V to +5.5V. All models are specified over the extended industrial temperature range of -40°C to +125°C.

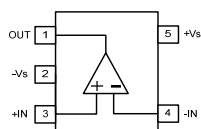
The LMV721A is available in 5-lead SC70 and SOT-23 packages. The LMV722A is available in 8-lead MSOP, DFN2\*2, TSSOP and SOP packages. The LMV724A is available in 14-lead TSSOP and SOP packages.

### Features

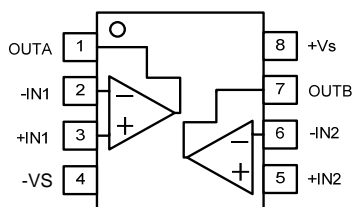
- High Slew Rate: 9V/ $\mu$ s
- Wide Bandwidth: 10MHz
- Low Power: 1000 $\mu$ A per Amplifier Supply Current
- Settling Time to 0.1% with 2V Step: 0.25  $\mu$ s
- Low Noise: 20 nV/  $\sqrt{\text{Hz}}$ @10kHz
- Low Offset Voltage: 3.5 mV Maximum
- Unit Gain Stable
- Rail-to-Rail Input and Output
  - Input Voltage Range: -0.1V to +5.1V at 5V Supply
- Operating Power Supply: +2.5V to +5.5V
- Operating Temperature Range: -40°C to +125°C

### Applications

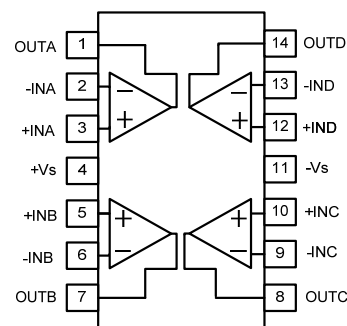
- Photodiode Amplification
- Sensor Interfaces
- Audio Outputs
- Active Filters
- Driving A/D Converters
- Portable Equipment & Battery-Powered Instrumentation



LMV721  
SOT23-5/SC70-5



LMV722  
SOP-8/TSSOP-8/MSOP-8



LMV724  
SOP-14/TSSOP-14

**Fig. 1 Pin Configurations**

Symbol	Description
-IN	Negative (inverting) input.
+IN	Positive (noninverting) input.
-INA, -INB -INC, IND	Inverting Input of the Amplifier. The Voltage range can go from ( $V_{S-} - 0.1V$ ) to ( $V_{S+} + 0.1V$ ).
+INA, +INB +INC, +IND	Non-Inverting Input of Amplifier. This pin has the same voltage range as -IN.
+V <sub>S</sub>	Positive Power Supply. The voltage is from 2.5V to 5.5V. Split supplies are possible as long as the voltage between $V_{S+}$ and $V_{S-}$ is between 2.5V and 5.5V. A bypass capacitor of 0.1 $\mu$ F as close to the part as possible should be used between power supply pins or between supply pins and ground.
-V <sub>S</sub>	Negative Power Supply. It is normally tied to ground. It can also be tied to a voltage other than ground as long as the voltage between $V_{S+}$ and $V_{S-}$ is from 2.5V to 5.5V. If it is not connected to ground, bypass it with a capacitor of 0.1 $\mu$ F as close to the part as possible.
OUT	Output.
OUTA, OUTB OUTC, OUTD	Amplifier Output.

### Absolute Maximum Ratings (T<sub>A</sub>=25°C)

Symbol	Description	Value	Unit
V <sub>S+</sub> , V <sub>S-</sub>	Supply Voltage, V <sub>S+</sub> to V <sub>S-</sub>	7.0	V
V <sub>CM</sub>	Common-Mode Input Voltage	V <sub>S-</sub> - 0.3 to V <sub>S+</sub> + 0.3	V
ESD	Electrostatic Discharge Voltage	HBM ±4000	V
		CDM ±1000	V
T <sub>J</sub>	Junction Temperature	160	°C
T <sub>STG</sub>	Storage Temperature Range	-65 to +150	°C(TJ)
T <sub>PL</sub>	Lead Temperature Range (Soldering 10 sec)	260	°C

**Notes:**

1. Stresses beyond those listed under Absolute Maximum Ratings may cause permanent damage to the device. These are stress ratings only, which do not imply functional operation of the device at these or any other conditions beyond those indicated under Recommended Operating Conditions. Exposure to absolute-maximum-rated conditions for extended periods may affect device reliability.
2. Input terminals are diode-clamped to the power-supply rails.
3. Provided device does not exceed maximum junction temperature (T<sub>J</sub>) at any time.

### Electrical Characteristics (T<sub>A</sub>=25°C)

(V<sub>S</sub>=5.0V, T<sub>A</sub>=+25°C, V<sub>CM</sub>=V<sub>S</sub>/2, V<sub>O</sub>=V<sub>S</sub>/2, R<sub>L</sub>=10kΩ connected to V<sub>S</sub>/2, unless otherwise noted)

Symbol	Parameter	Conditions	Min.	Typ.	Max.	Unit
<b>INPUT CHARACTERISTICS</b>						
V <sub>OS</sub>	Input offset voltage		-3.5	±0.8	+3.5	mV
		B Version	-0.9	±0.4	+0.9	mV
		C Version	-0.35	±0.1	+0.35	mV
V <sub>OS</sub> TC	Offset voltage drift		3		μV/°C	
I <sub>B</sub>	Input bias current			1		pA
	Over temperature			800		
I <sub>OS</sub>	Input offset current			1		pA
V <sub>CM</sub>	Common-mode voltage range		V <sub>S</sub> -0.1		V <sub>S</sub> +0.1	V
CMRR	Common-mode rejection ratio	V <sub>CM</sub> = 0.05V to 3.5V	70	84		dB
	Over temperature			80		
		V <sub>CM</sub> = V <sub>S</sub> -0.1 to V <sub>S</sub> +0.1 V	60	76		
A <sub>VOL</sub>	Open-loop voltage gain	R <sub>L</sub> = 10kΩ, V <sub>O</sub> = 0.1 to 4.9 V	90	102		dB
	Over temperature			90		
		R <sub>L</sub> = 600Ω, V <sub>O</sub> = 0.2 to 4.8 V	80	89		
	Over temperature			80		
R <sub>IN</sub>	Input resistance			100		GΩ
C <sub>IN</sub>	Input capacitance	Differential		2.0		pF
		Common mode		3.5		
<b>OUTPUT CHARACTERISTICS</b>						
V <sub>OH</sub>	High output voltage swing	R <sub>L</sub> = 600Ω		V <sub>S</sub> +100		mV
		R <sub>L</sub> = 10kΩ		V <sub>S</sub> +8		
V <sub>OL</sub>	Low output voltage swing	R <sub>L</sub> = 600Ω		100		mV
		R <sub>L</sub> = 10kΩ		8		
Z <sub>OUT</sub>	Closed-loop output impedance	f = 200kHz, G = +1		0.8		Ω
	Open-loop output impedance	f = 1MHz, I <sub>O</sub> = 0		3		
I <sub>SC</sub>	Short-circuit current	Source current through 10Ω		40		mA
		Sink current through 10Ω		40		

### Electrical Characteristics (T<sub>A</sub>=25°C)

(V<sub>S</sub>=5.0V, T<sub>A</sub>=+25°C, V<sub>CM</sub>=V<sub>S</sub>/2, V<sub>O</sub>=V<sub>S</sub>/2, R<sub>L</sub>=10kΩ connected to V<sub>S</sub>/2, unless otherwise noted.)

Symbol	Parameter	Conditions	Min.	Typ.	Max.	Unit
<b>DYNAMIC PERFORMANCE</b>						
GBW	Gain bandwidth product	f = 1kHz		10		MHz
Φ <sub>M</sub>	Phase margin	C <sub>L</sub> = 100pF		60		°
SR	Slew rate	G = +1, C <sub>L</sub> = 100pF, V <sub>O</sub> = 1.5V to 3.5V		9		V/μs
BW <sub>P</sub>	Full power bandwidth	<1% distortion		400		kHz
t <sub>S</sub>	Settling time	To 0.1%, G = +1, 2V step		0.25		μs
		To 0.01%, G = +1, 2V step		0.28		
t <sub>OR</sub>	Overload recovery time	V <sub>IN</sub> * Gain > V <sub>S</sub>		0.5		μs
<b>NOISE PERFORMANCE</b>						
V <sub>n</sub>	Input voltage noise	f = 0.1 to 10 Hz		12		μV <sub>P-P</sub>
e <sub>n</sub>	Input voltage noise density	f = 10kHz		20		nV/√Hz
I <sub>n</sub>	Input current noise density	f = 10kHz		5		fA/√Hz
<b>POWER SUPPLY</b>						
V <sub>S</sub>	Operating supply voltage		2.5		5.5	V
PSRR	Power supply rejection ratio	V <sub>S</sub> = 2.7V to 5.5V, V <sub>CM</sub> < V <sub>S</sub> + 0.5V	70	95		dB
	Over temperature			80		
I <sub>Q</sub>	Quiescent current (per amplifier)			1000	1300	μA
	Over temperature			1200	1600	
<b>THERMAL CHARACTERISTICS</b>						
T <sub>A</sub>	Operating temperature range		-40		+125	°C
θ <sub>JA</sub>	Package thermal resistance	SC70-5		333		°C/W
		SOT23-5		190		
		SOP-8		125		
		TSSOP-8		153		
		MSOP-8		216		
		TSSOP-14		112		
		SOP-14		115		

## Typical Performance Characteristics

( $T_A = +25^\circ\text{C}$ ,  $V_{CM} = V_S/2$ , and  $R_L = 10\text{k}\Omega$  connected to  $V_S/2$ , unless otherwise noted.)

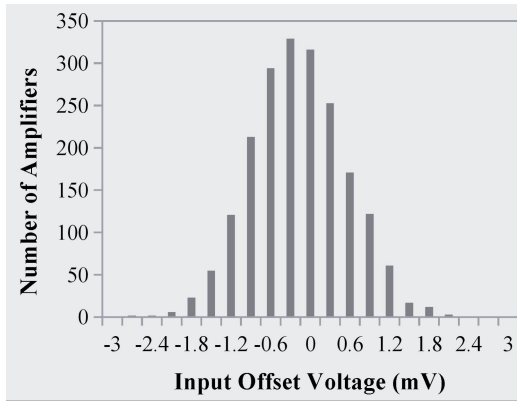


Fig. 2 Input Offset Voltage Production Temperature

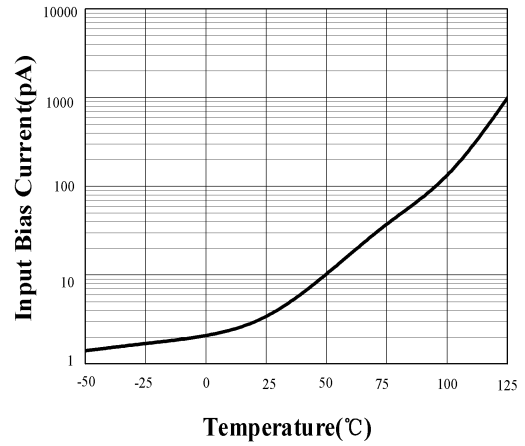


Fig. 3 Input Bias Current as a Function of

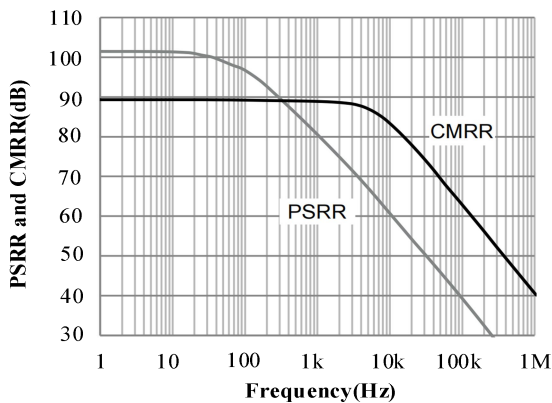


Fig. 4 Power Supply and Common-mode Rejection Ratio as a Function of Frequency

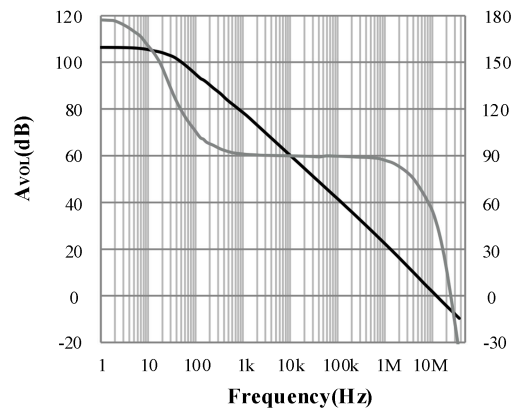


Fig. 5 Open-loop Gain and Phase as a function of Frequency

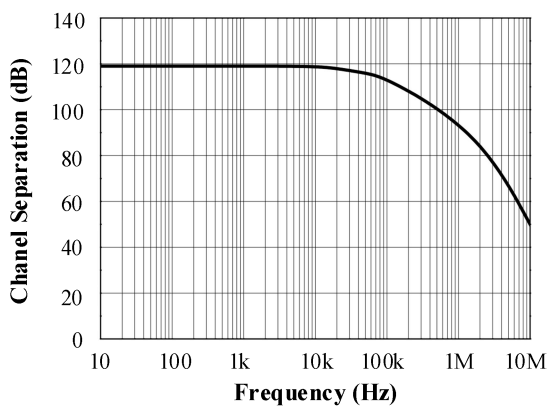


Fig. 6 Channel Separation as a function of Frequency

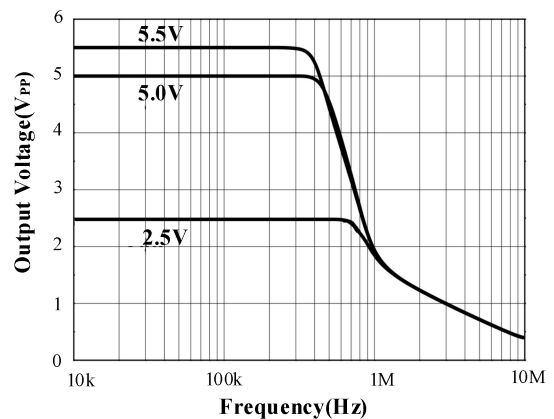


Fig. 7 Maximum Output Voltage as a function of Frequency

## Typical Performance Characteristics

( $T_A = +25^\circ\text{C}$ ,  $V_{CM} = V_S/2$ , and  $R_L = 10\text{k}\Omega$  connected to  $V_S/2$ , unless otherwise noted.)

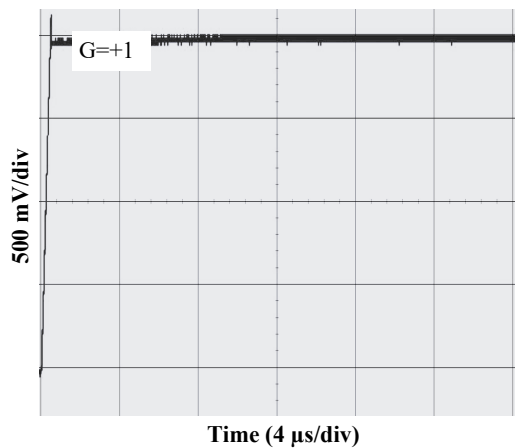


Fig. 8 Large-Signal Step Response at 2.7V

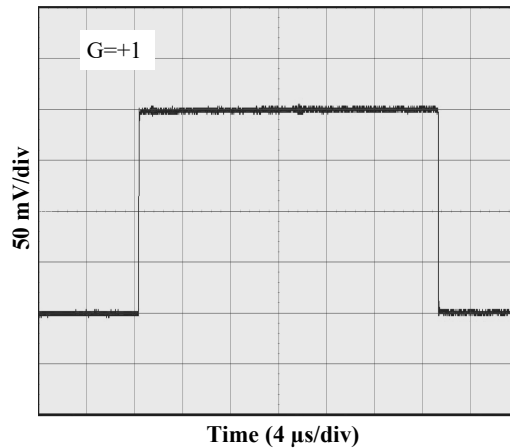


Fig. 9 Small-Signal Step Response at 2.7V

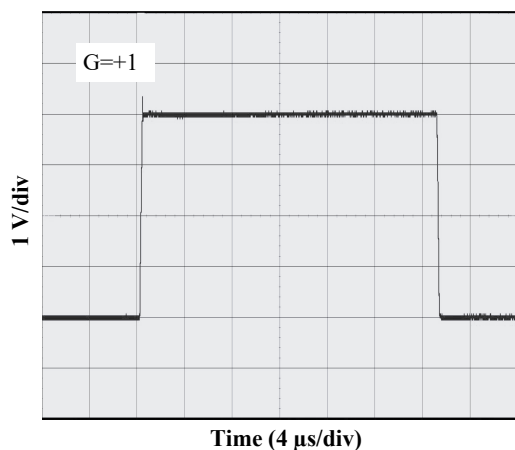


Fig. 10 Large-Signal Step Response at 5V

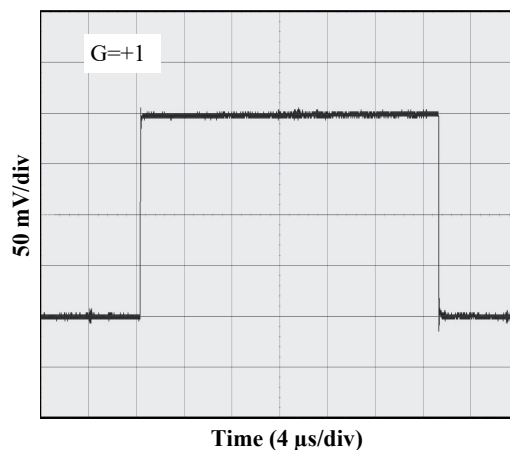


Fig. 11 Small-Signal Step Response at 5V

## Application Notes

### Low Input Bias Current

The LMV72xA family is a CMOS op-amp family and features very low input bias current in pA range. The low input bias current allows the amplifiers to be used in applications with high resistance sources. Care must be taken to minimize PCB Surface Leakage. See below section on “PCB Surface Leakage” for more details.

### PCB Surface Leakage

In applications where low input bias current is critical, Printed Circuit Board (PCB) surface leakage effects need to be considered. Surface leakage is caused by humidity, dust or other contamination on the board. Under low humidity conditions, a typical resistance between nearby traces is  $10^{12}\Omega$ . A 5V difference would cause 5pA of current to flow, which is greater than the LMV72xA’s input bias current at +25°C ( $\pm 1\text{pA}$ , typical). It is recommended to use multi-layer PCB layout and route the op-amp’s –IN and +IN signal under the PCB surface.

The effective way to reduce surface leakage is to use a guard ring around sensitive pins (or traces). The guard ring is biased at the same voltage as the sensitive pin. An example of this type of layout is shown in Figure 12 for Inverting Gain application.

1. For Non-Inverting Gain and Unity-Gain Buffer:
  - a) Connect the non-inverting pin (+IN) to the input with a wire that does not touch the PCB surface.
  - b) Connect the guard ring to the inverting input pin (-IN). This biases the guard ring to the Common Mode input voltage.
2. For Inverting Gain and Trans-impedance Gain Amplifiers (convert current to voltage, such as photo detectors):
  - a) Connect the guard ring to the non-inverting input pin (+IN). This biases the guard ring to the same reference voltage as the op-amp (e.g.,  $V_S/2$  or ground).
  - b) Connect the inverting pin (-IN) to the input with a wire that does not touch the PCB surface.

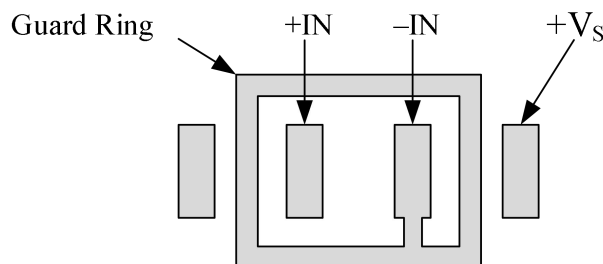


Fig. 12 Use a Guard Ring around Sensitive Pins



## Application Notes

### Ground Sensing And Rail To Rail

The input common-mode voltage range of the LMV72xA series extends 300mV beyond

the supply rails. This is achieved with a complementary input stage—a N-channel input differential pair in parallel with a P-channel differential pair. For normal operation, inputs should be limited to this range. The absolute maximum input voltage is 500mV beyond the supplies. Inputs greater than the input common-mode range but less than the maximum input voltage, while not valid, will not cause any damage to the op-amp. Unlike some other op-amps, if input current is limited, the inputs may go beyond the supplies without phase inversion, as shown in Figure 13. Since the input common-mode range extends from ( $V_{S-} - 0.1V$ ) to ( $V_{S+} + 0.1V$ ), the LMV72xA op-amps can easily perform ‘true ground’ sensing.

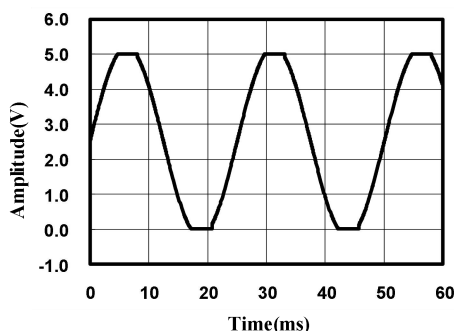


Fig. 13 No Phase Inversion with Inputs Greater Than the Power-Supply Voltage

A topology of class AB output stage with common-source transistors is used to achieve rail-to-rail output. For light resistive loads (e.g. 100kΩ), the output voltage can typically swing to within 5mV from the supply rails. With moderate resistive loads (e.g. 10kΩ), the output can typically swing to within 10mV from the supply rails and maintain high open-loop gain.

The maximum output current is a function of total supply voltage. As the supply voltage to the amplifier increases, the output current capability also increases. Attention must be paid to keep the junction temperature of the IC below 150°C when the output is in continuous short-circuit. The output of the amplifier has reverse-biased ESD diodes connected to each supply. The output should not be forced more than 0.5V beyond either supply, otherwise current will flow through these diodes.

### Capacitive Load And Stability

The LMV72xA can directly drive 1nF in unity-gain without oscillation. The unity-gain follower (buffer) is the most sensitive configuration to capacitive loading.

## Application Notes

Direct capacitive loading reduces the phase margin of amplifiers and this results in ringing or even oscillation. Applications that require greater capacitive drive capability should use an isolation resistor between the output and the capacitive load like the circuit in Figure 14. The isolation resistor  $R_{ISO}$  and the load capacitor  $C_L$  form a zero to increase stability. The bigger the  $R_{ISO}$  resistor value, the more stable  $V_{OUT}$  will be. Note that this method results in a loss of gain accuracy because  $R_{ISO}$  forms a voltage divider with the  $R_L$ .

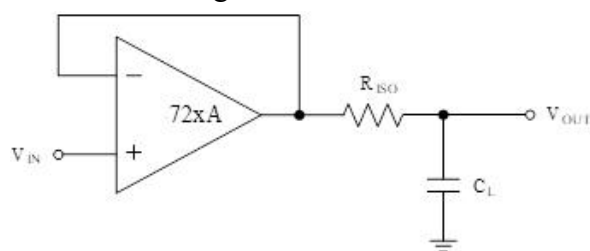


Fig. 14 Indirectly Driving Heavy Capacitive Load

An improvement circuit is shown in Figure 15. It provides DC accuracy as well as AC stability. The  $R_F$  provides the DC accuracy by connecting the inverting signal with the output. The  $C_F$  and  $R_{ISO}$  serve to counteract the loss of phase margin by feeding the high frequency component of the output signal back to the amplifier's inverting input, thereby preserving phase margin in the overall feedback loop.

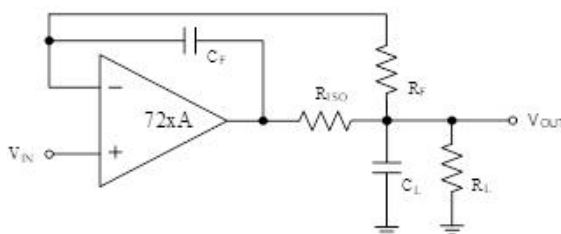


Fig. 15 Indirectly Driving Heavy Capacitive Load with DC Accuracy

For no-buffer configuration, there are two other ways to increase the phase margin: (a) by increasing the amplifier's gain, or (b) by placing a capacitor in parallel with the feedback resistor to counteract the parasitic capacitance associated with inverting node.

## Power Supply Layout And Bypass

The LMV72xA family operates from either a single +2.5V to +5.5V supply or dual  $\pm 1.25V$  to  $\pm 2.25V$  supplies. For single-supply operation, bypass the power supply  $V_S$  with a ceramic capacitor (i.e.  $0.01\mu F$  to  $0.1\mu F$ ) which should be placed close (within 2mm for good high frequency performance) to the  $V_S$  pin. For dual-supply operation both the  $V_{S+}$  and the

## Application Notes

$V_{S-}$  supplies should be bypassed to ground with separate 0.1 $\mu$ F ceramic capacitors. A bulk capacitor (i.e. 2.2  $\mu$ F or larger tantalum capacitor) within 100mm to provide large, slow currents and better performance. This bulk capacitor can be shared with other analog parts.

Good PC board layout techniques optimize performance by decreasing the amount of stray capacitance at the op-amp's inputs and output. To decrease stray capacitance, minimize trace lengths and widths by placing external components as close to the device as possible. Use surface-mount components whenever possible. For the op-amp, soldering the part to the board directly is strongly recommended. Try to keep the high frequency big current loop area small to minimize the EMI (electromagnetic interfacing).

## Grounding

A ground plane layer is important for the LMV72xA circuit design. The length of the current path speed currents in an inductive ground return will create an unwanted voltage noise. Broad ground plane areas will reduce the parasitic inductance.

## Input To Output Coupling

To minimize capacitive coupling, the input and output signal traces should not be parallel. This helps reduce unwanted positive feedback.

## Typical Application Circuits

### Differential Amplifier

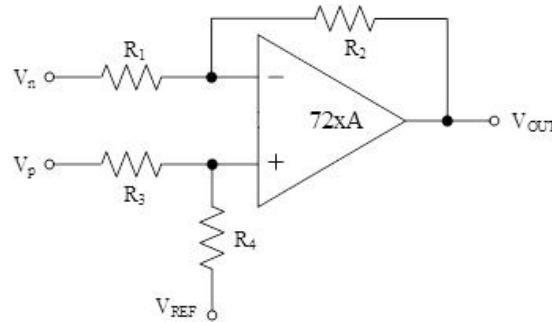


Fig. 16 Differential Amplifier

The circuit shown in Figure 16 performs the difference function. If the resistors ratios are equal  $R_4/R_3 = R_2/R_1$ , then:

$$V_{OUT} = (V_p - V_n) \times R_2/R_1 + V_{REF}$$

### Instrumentation Amplifier

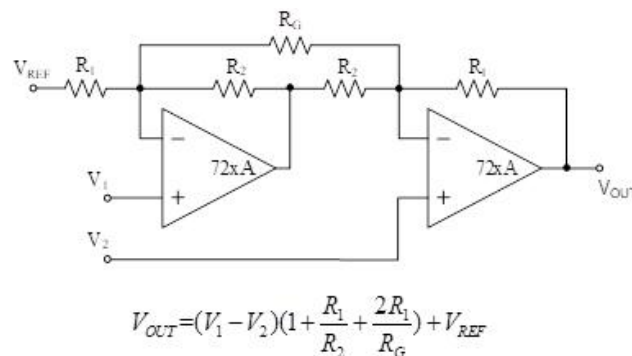


Fig. 17 Instrumentation Amplifier

The LMV72XA family is well suited for conditioning sensor signals in battery-powered applications. Figure 17 shows a two op-amp instrumentation amplifier, using the LMV72xA op-amps. The circuit works well for applications requiring rejection of common-mode noise at higher gains. The reference voltage ( $V_{REF}$ ) is supplied by a low-impedance source. In single voltage supply applications, the  $V_{REF}$  is typically  $V_S/2$ .

## Typical Application Circuits

### Buffered Chemical Sensors

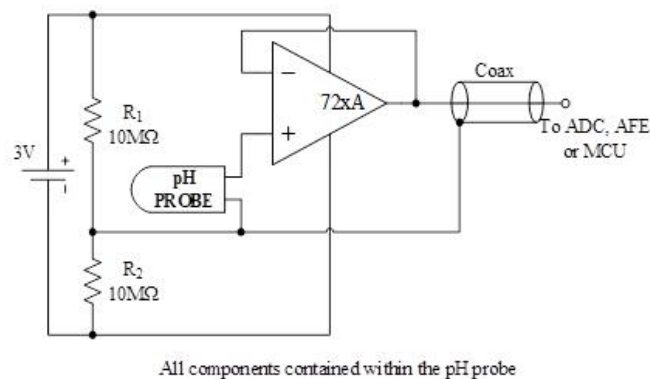


Fig. 18 Buffered pH Probe

The LMV72xA family has input bias current in the pA range. This is ideal in buffering high impedance chemical sensors, such as pH probes. As an example, the circuit in Figure 7 eliminates expansive low-leakage cables that is required to connect a pH probe (general purpose combination pH probes, e.g Corning 476540) to metering ICs such as ADC, AFE and/or MCU. An LMV72xA op-amp and a lithium battery are housed in the probe assembly. A conventional low-cost coaxial cable can be used to carry the op-amp’s output signal to subsequent ICs for pH reading.

### Shunt-Based Current Sensing Amplifier

The current sensing amplification shown in Figure 8 has a slew rate of  $2\pi fV_{PP}$  for the output of sine wave signal, and has a slew rate of  $2fV_{PP}$  for the output of triangular wave signal. In most of motor control systems, the PWM frequency is at 10kHz to 20kHz, and one cycle time is  $100\mu s$  for a 10kHz of PWM frequency. In current shunt monitoring for a motor phase, the phase current is converted to a phase voltage signal for ADC sampling. This sampling voltage signal must be settled before entering the ADC. As the Figure 8 shown, the total settling time of a current shunt monitor circuit includes: the rising edge delay time ( $t_{SR}$ ) due to the op-amp’s slew rate, and the measurement settling time ( $t_{SET}$ ). If the minimum duty cycle of the PWM is defined at 5%, and the  $t_{SR}$  is required at 20% of a total time window for a phase current monitoring, in case of a 3.3V motor control system (3.3V MCU with 12-bit ADC), the op-amp’s slew rate should be more than:

$$3.3V / (100\mu s \times 5\% \times 20\%) = 3.3 V/\mu s$$

At the same time, the op-amp’s bandwidth should be much greater than the PWM frequency, like 10 time at least.

### Typical Application Circuits

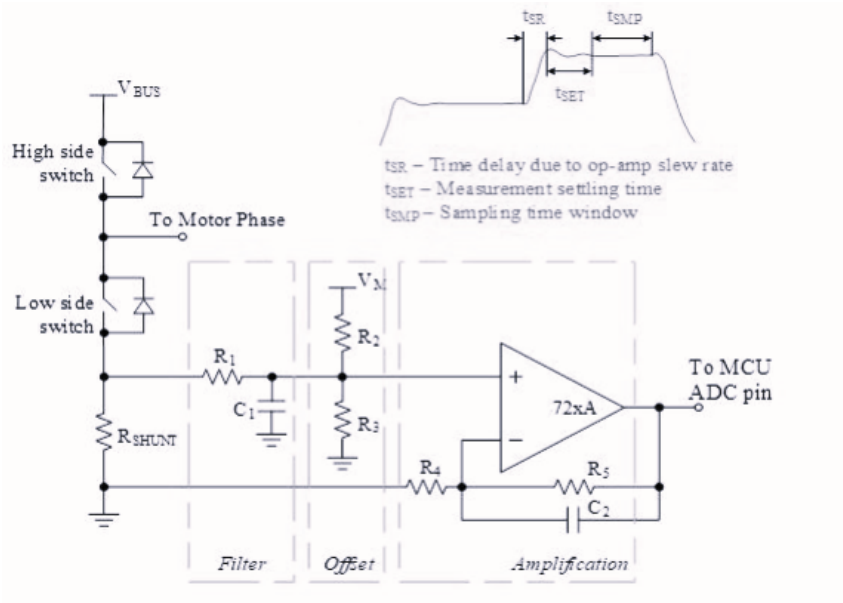
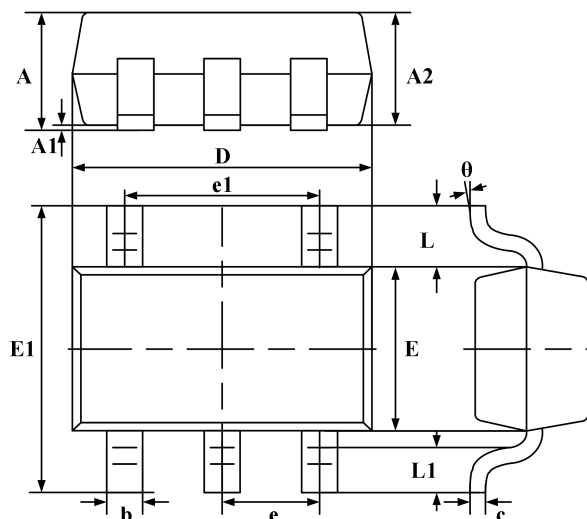


Fig. 19 Current Shunt Monitor Circuit

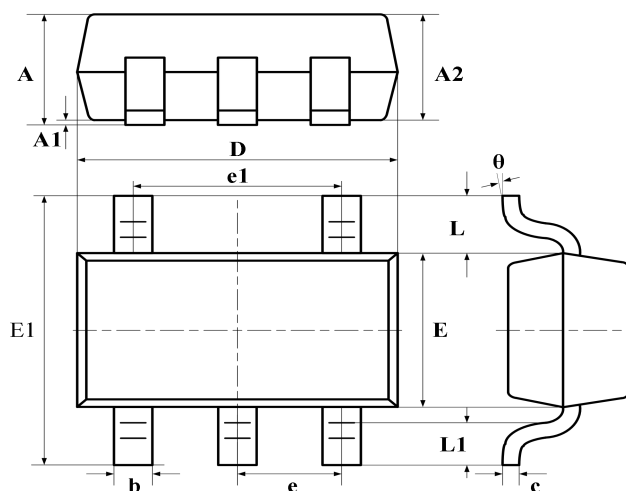
## Package Information

### SC70-5 (SOT353)



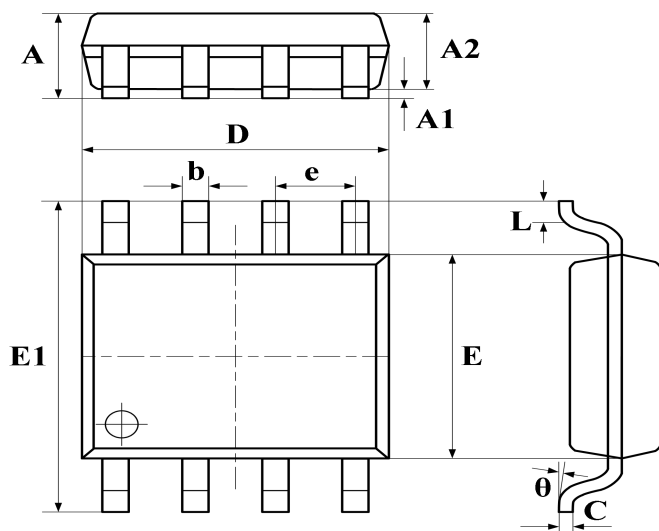
Symbol	Dimensions		Dimensions	
	In Millimeters		In Inches	
	Min	Max	Min	Max
A	0.800	1.100	0.035	0.043
A1	0.000	0.100	0.000	0.004
A2	0.800	0.900	0.035	0.039
b	0.150	0.350	0.006	0.014
c	0.080	0.150	0.003	0.006
D	1.850	2.150	0.079	0.087
E	1.100	1.400	0.045	0.053
E1	1.950	2.200	0.085	0.096
e	0.850 typ.		0.026 typ.	
e1	1.200	1.400	0.047	0.055
L	0.42 ref.		0.021 ref.	
L1	0.260	0.460	0.010	0.018
θ	0°	8°	0°	8°

### SOT23-5



Symbol	Dimensions		Dimensions	
	In Millimeters		In Inches	
	Min	Max	Min	Max
A	1.040	1.350	0.042	0.055
A1	0.040	0.150	0.002	0.006
A2	1.000	1.200	0.041	0.049
b	0.380	0.480	0.015	0.020
c	0.110	0.210	0.004	0.009
D	2.720	3.120	0.111	0.127
E	1.400	1.800	0.057	0.073
E1	2.600	3.000	0.106	0.122
e	0.950 typ.		0.037 typ.	
e1	1.900 typ.		0.078 typ.	
L	0.700 ref.		0.028 ref.	
L1	0.300	0.600	0.012	0.024
θ	0°	8°	0°	8°

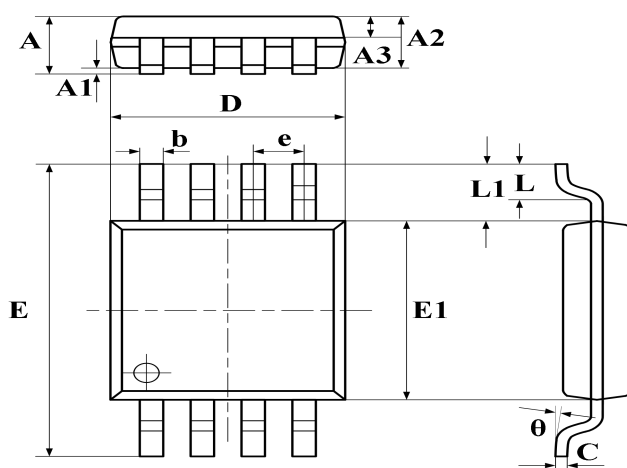
SOP-8



Symbol	Dimensions		Dimensions	
	In Millimeters		In Inches	
	Min	Max	Min	Max
A	1.370	1.670	0.056	0.068
A1	0.070	0.170	0.003	0.007
A2	1.300	1.500	0.053	0.061
b	0.306	0.506	0.013	0.021
C	0.203 typ.		0.008 typ.	
D	4.700	5.100	0.192	0.208
E	3.820	4.020	0.156	0.164
E1	5.800	6.200	0.237	0.253
e	1.270 typ.		0.050 typ.	
L	0.450	0.750	0.018	0.306
θ	0°	8°	0°	8°

Package Information

TSSOP-8

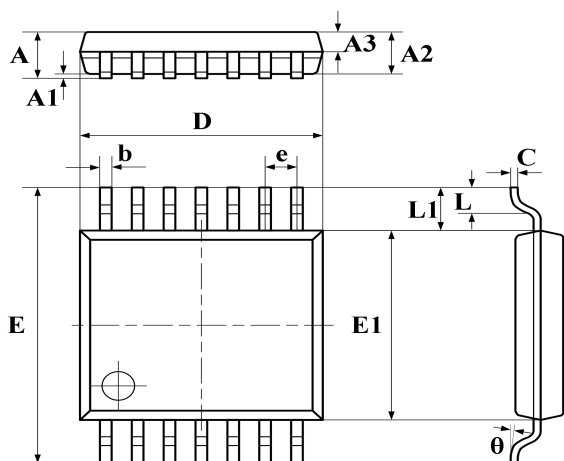


Symbol	Dimensions		Dimensions	
	In Millimeters		In Inches	
	Min	Nom	Max	
A	-	-	1.200	
A1	0.050	-	0.150	
A2	0.900	1.000	1.050	
A3	0.390	0.440	0.490	
b	0.200	-	0.280	
C	0.130	-	0.170	
D	2.900	3.000	3.100	
E	6.200	6.400	6.600	
E1	4.300	4.400	4.500	
e	0.65BSC			
L	0.450	-	0.750	
L1	1.000 ref			
θ	0°	-	8°	



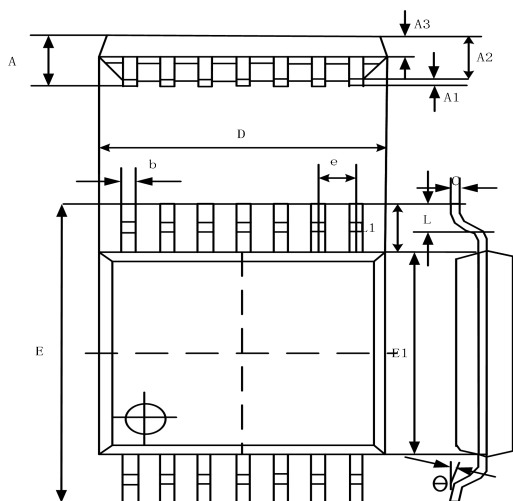
## Package Information

### TSSOP-14



Symbol	Dimensions		Dimensions	
	In Millimeters		In Inches	
	Min	Max	Min	Max
A	-	1.200	-	0.0472
A1	0.050	0.150	0.002	0.006
A2	0.900	1.050	0.037	0.043
A3	0.390	0.490	0.016	0.020
b	0.200	0.290	0.008	0.012
C	0.130	0.180	0.005	0.007
D	4.860	5.060	0.198	0.207
E	6.200	6.600	0.253	0.269
E1	4.300	4.500	0.176	0.184
e	0.650 typ.		0.0256 typ.	
L1	1.000 ref.		0.0393 ref.	
L	0.450	0.750	0.018	0.031
$\theta$	0°	8°	0°	8°

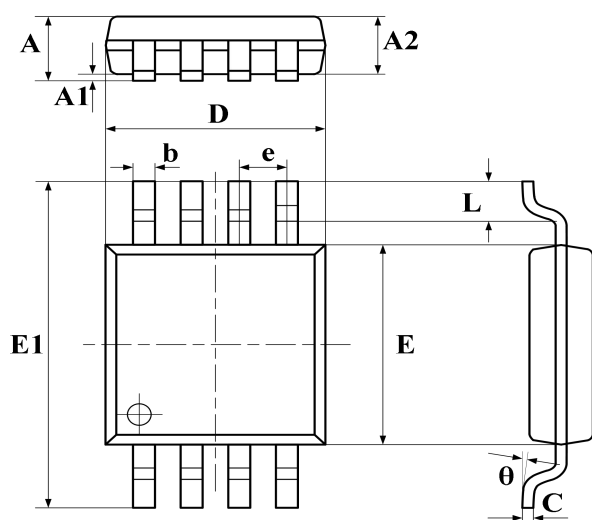
### SOP-14



Symbol	Dimensions		Dimensions	
	In Millimeters		In Inches	
	Min	Max	Min	Max
A	1.450	1.850	0.059	0.076
A1	0.100	0.300	0.004	0.012
A2	1.350	1.550	0.055	0.063
A3	0.550	0.750	0.022	0.031
b	0.406typ.		0.017typ.	
C	0.203typ.		0.008typ.	
D	8.630	8.830	0.352	0.360
E	5.840	6.240	0.238	0.255
E1	3.850	4.050	0.157	0.165
e	1.270 typ.		0.050 typ.	
L1	1.040 ref.		0.041 ref.	
L	0.350	0.750	0.014	0.031
$\theta$	2°	8°	2°	8°

## Package Information

### MSOP-8



Symbol	Dimensions		Dimensions	
	In Millimeters		In Inches	
	Min	Max	Min	Max
A	0.800	1.100	0.033	0.045
A1	0.050	0.150	0.002	0.006
A2	0.750	0.950	0.031	0.039
b	0.290	0.380	0.012	0.016
C	0.150	0.200	0.006	0.008
D	2.900	3.100	0.118	0.127
E	2.900	3.100	0.118	0.127
E1	4.700	5.100	0.192	0.208
e	0.650 typ.		0.026 typ.	
L	0.400	0.700	0.016	0.029
θ	0°	8°	0°	8°

### Ordering information

Order code	Package	Baseqty	Deliverymode
UMW LMV721IDCKR	SC70-5	3000	Tape and reel
UMW LMV721IDBVR	SOT23-5	3000	Tape and reel
UMW LMV722IDR	SOP-8	2500	Tape and reel
UMW LMV722MT	TSSOP-8	5000	Tape and reel
UMW LMV722MM	MSOP-8	2500	Tape and reel
UMW LMV724M	SOP-14	2500	Tape and reel
UMW LMV724MT	TSSOP-14	2500	Tape and reel

## X-ON Electronics

Largest Supplier of Electrical and Electronic Components

*Click to view similar products for [Operational Amplifiers - Op Amps](#) category:*

*Click to view products by [Youtai](#) manufacturer:*

Other Similar products are found below :

[430227FB](#) [UPC451G2-A](#) [UPC824G2-A](#) [LT1678IS8](#) [UPC258G2-A](#) [NCV33202DMR2G](#) [NJM324E](#) [M38510/13101BPA](#) [NTE925](#)  
[AZV358MTR-G1](#) [AP4310AUMTR-AG1](#) [AZV358MMTR-G1](#) [SCY33178DR2G](#) [NCV5652MUTWG](#) [NCV20034DR2G](#) [NTE778S](#) [NTE871](#)  
[NTE937](#) [MCP6V16UT-E/OT](#) [SCY6358ADR2G](#) [UPC4570G2-E1-A](#) [NCS20282FCTTAG](#) [UPC834G2-E1-A](#) [UPC1458G2-E2-A](#) [UPC813G2-](#)  
[E2-A](#) [UPC458G2-E1-A](#) [UPC824G2-E2-A](#) [UPC4574G2-E2-A](#) [UPC4558G2-E2-A](#) [UPC4560G2-E1-A](#) [UPC258G2-E1-A](#) [UPC4742GR-9LG-](#)  
[E1-A](#) [UPC4742G2-E1-A](#) [UPC832G2-E2-A](#) [UPC842G2-E1-A](#) [UPC802G2-E1-A](#) [UPC4741G2-E2-A](#) [UPC4572G2-E2-A](#) [UPC844GR-9LG-](#)  
[E2-A](#) [UPC259G2-E1-A](#) [UPC4741G2-E1-A](#) [UPC4558G2-E1-A](#) [UPC1251GR-9LG-E1-A](#) [UPC4744G2-E1-A](#) [UPC4092G2-E1-A](#)  
[UPC4574G2-E1-A](#) [UPC4062G2-E2-A](#) [UPC451G2-E2-A](#) [UPC832G2-E1-A](#) [UPC844GR-9LG-E1-A](#)