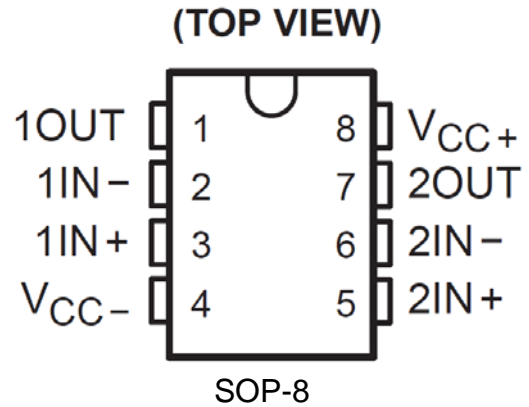


Summary

TL072 is a dual operational amplifier with high-speed J-FET input, which consists of high-voltage J-FET and bipolar transistor. It has high conversion rate, low input bias current and offset current, and low temperature coefficient of offset voltage. The working range is 0°C-70°C.

TL072 is available in SOP8 packages.

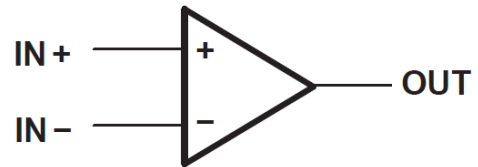
Pin diagram



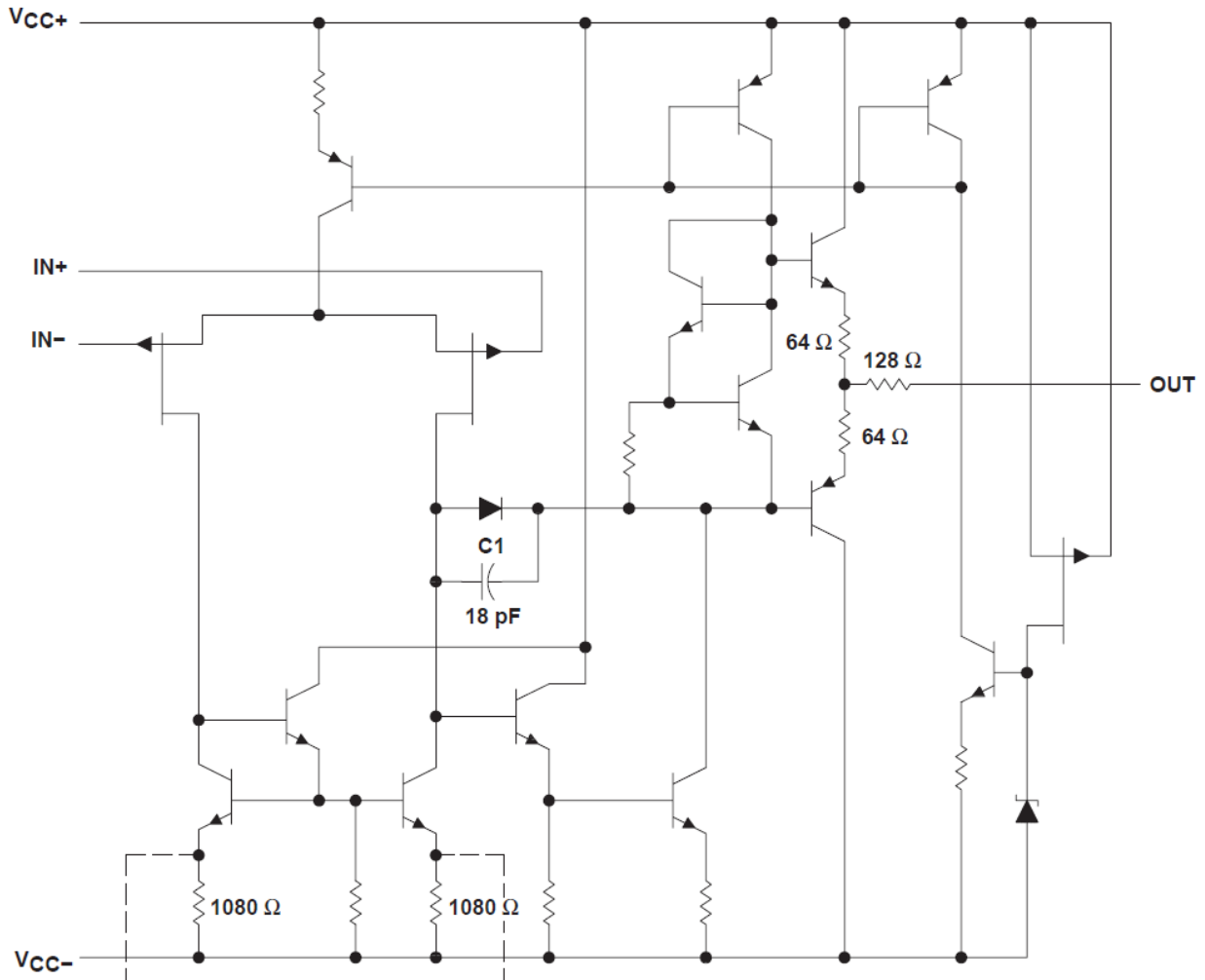
Main feature

- Lower power consumption
- Wide common - mode and differential - mode input voltage range
- Low input bias current and offset current
Output short - circuit current protection
- High input impedance
- High conversion rate
- High gain bandwidth product, up to 4MHz

Symbol (each operational amplifier)



Internal block diagram (each operational amplifier)



Limit parameter

symbol	describe	limit value	unit
Vcc	Power supply voltage	±18	V
Vi	input voltage	±14	V
Vid	Differential mode input power	±28	V
Toper	Working temperature	0—70	°C
Tstg	Storage temperature	-65—150	°C

Electrical characteristics (VCC = ±15, T_{amp} = 25°C shall be specified separately)

symbol	Parameter name	test condition	test value			unit
			Min	Typ	Max	
V _{io}	offset voltage	V _o =0V		3	10	mV
I _{io}	Input offset current	V _o =0V			1.5	nA
I _{ib}	Output bias current	V _o =0V			2.5	nA
V _{icr}	Input common mode voltage		- 12	±11	15	V
V _{om}	Peak output voltage	RL = 10 kΩ RL ≥ 2 kΩ	±11 ±10	±13.5 ±12.5		V
AVD	Large signal voltage gain	RL ≥ 2 kΩ VO = ±10 V	80	95		dB
B1	Gain bandwidth product			3		MHz
CMRR	common mode rejection ratio		70	85		dB
kSVR	Power supply rejection ratio	VCC= ±15 V to ±9 V V _o =0V	70	86		dB
I _{CC}	Static current- per channel			1.4	2.8	mA
SR	conversion rate	V _I = 10 V,	8	10		V/us
t _r	risetime			0.1		us
R _i	input impedance			10 ¹²		Ω

Typical application circuit diagram (including one operational amplifier)

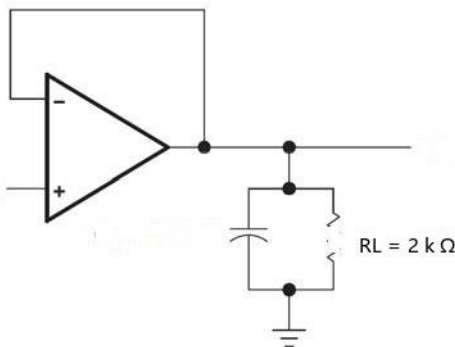


Figure 1. Unity Gain Circuit

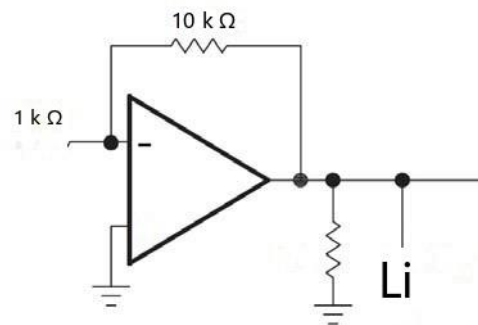


Figure 2.10 - fold gain circuit

General J - FET input dual operational amplifier

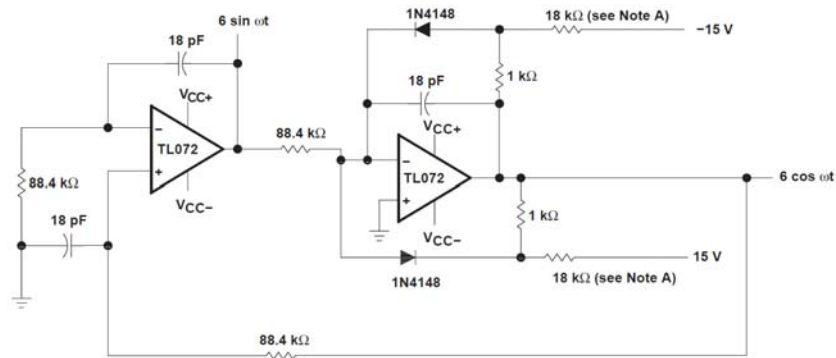


Figure 3. 100KHz oscillator

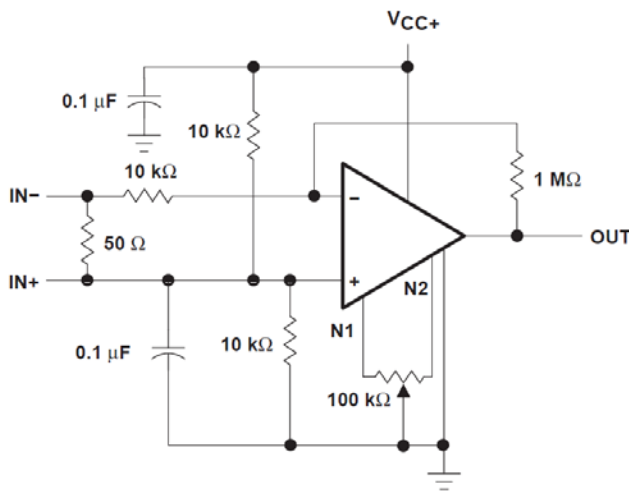


Figure 4. AC amplifier

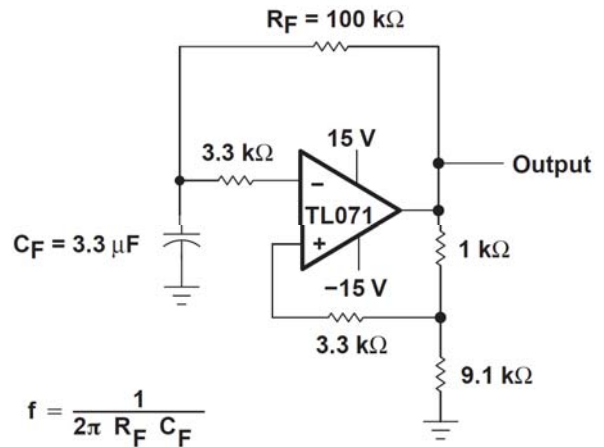
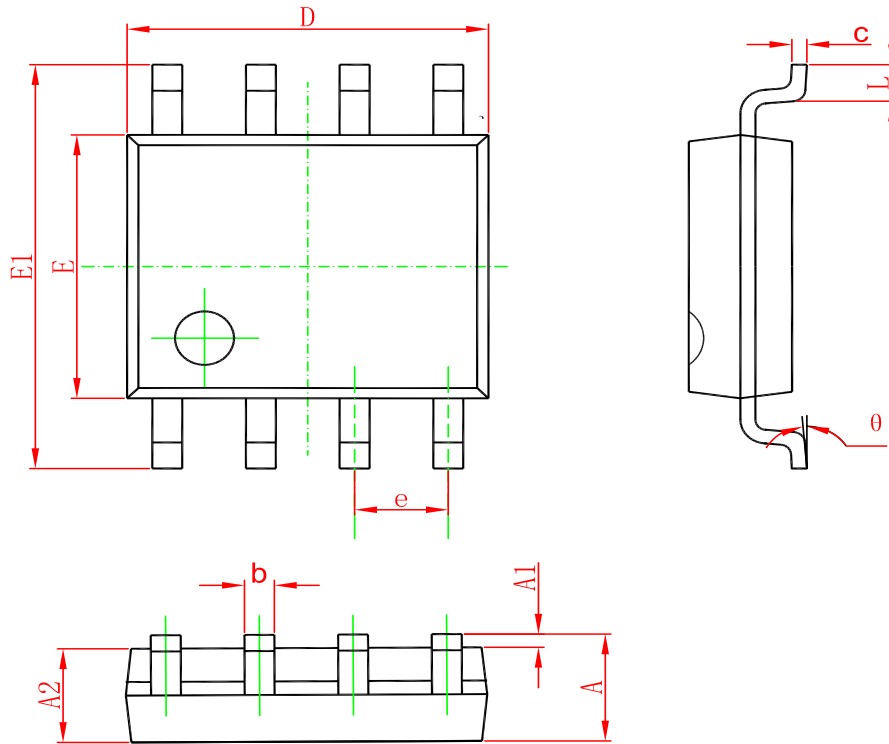


Fig. 5 0.5Hz square wave oscillator

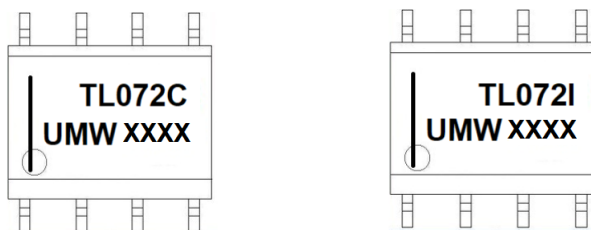
PACKAGE OUTLINE DIMENSIONS

SOP-8



Symbol	Dimensions In Millimeters		Dimensions In Inches	
	Min	Max	Min	Max
A	1.350	1.750	0.053	0.069
A1	0.100	0.250	0.004	0.010
A2	1.350	1.550	0.053	0.061
b	0.330	0.510	0.013	0.020
c	0.170	0.250	0.006	0.010
D	4.700	5.100	0.185	0.200
E	3.800	4.000	0.150	0.157
E1	5.800	6.200	0.228	0.244
e	1.270(BSC)		0.050(BSC)	
L	0.400	1.270	0.016	0.050
θ	0°	8°	0°	8°

Marking



Ordering information

Order code	Package	Baseqty	Deliverymode
UMW TL072CDR	SOP-8	2500	Tape and reel
UMW TL072IDR	SOP-8	2500	Tape and reel

X-ON Electronics

Largest Supplier of Electrical and Electronic Components

Click to view similar products for [Operational Amplifiers - Op Amps](#) category:

Click to view products by [Youtai](#) manufacturer:

Other Similar products are found below :

[430227FB](#) [UPC451G2-A](#) [UPC824G2-A](#) [LT1678IS8](#) [UPC258G2-A](#) [NCV33202DMR2G](#) [NJM324E](#) [M38510/13101BPA](#) [NTE925](#)
[AZV358MTR-G1](#) [AP4310AUMTR-AG1](#) [AZV358MMTR-G1](#) [SCY33178DR2G](#) [NCV5652MUTWG](#) [NCV20034DR2G](#) [NTE778S](#) [NTE871](#)
[NTE937](#) [MCP6V16UT-E/OT](#) [SCY6358ADR2G](#) [UPC4570G2-E1-A](#) [NCS20282FCTTAG](#) [UPC834G2-E1-A](#) [UPC1458G2-E2-A](#) [UPC813G2-](#)
[E2-A](#) [UPC458G2-E1-A](#) [UPC824G2-E2-A](#) [UPC4574G2-E2-A](#) [UPC4558G2-E2-A](#) [UPC4560G2-E1-A](#) [UPC258G2-E1-A](#) [UPC4742GR-9LG-](#)
[E1-A](#) [UPC4742G2-E1-A](#) [UPC832G2-E2-A](#) [UPC842G2-E1-A](#) [UPC802G2-E1-A](#) [UPC4741G2-E2-A](#) [UPC4572G2-E2-A](#) [UPC844GR-9LG-](#)
[E2-A](#) [UPC259G2-E1-A](#) [UPC4741G2-E1-A](#) [UPC4558G2-E1-A](#) [UPC1251GR-9LG-E1-A](#) [UPC4744G2-E1-A](#) [UPC4092G2-E1-A](#)
[UPC4574G2-E1-A](#) [UPC4062G2-E2-A](#) [UPC451G2-E2-A](#) [UPC832G2-E1-A](#) [UPC844GR-9LG-E1-A](#)