

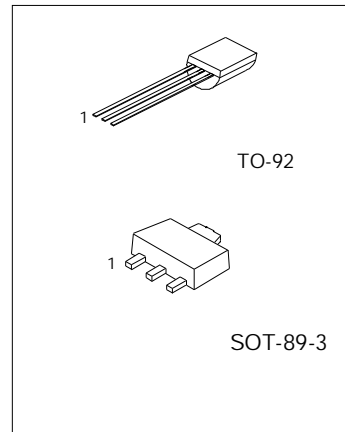
3-TERMINAL 0.15A POSITIVE VOLTAGE REGULATORS

DESCRIPTION

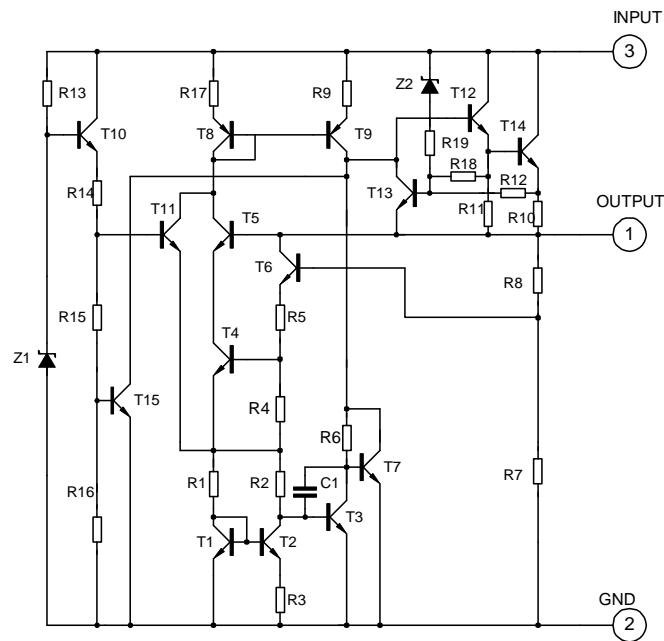
The 78LXX series of fixed voltage monolithic integrated circuit voltage regulators are suitable for applications that required supply up to 150mA.

FEATURE

- *Maximum output current of 150mA
- *Output voltage of 5V,6V,8V,9V,10V,12V,15V and 24V
- *Thermal overload protection
- *Short circuit current limiting



BLOCK DIAGRAM



ABSOLUTE MAXIMUM RATINGS (Operating temperature range applies unless otherwise specified)

| CHARACTERISTICS | SYMBOL | VALUE | UNITS |
|--------------------------------------|-----------|----------|-------|
| Input voltage(for $V_o=5,8V$) | V_i | 30 | V |
| (for $V_o=12,15V$) | V_i | 35 | V |
| High power dissipation | P_d | 700 | mW |
| Operating Junction Temperature Range | T_{OPR} | -20~+120 | °C |
| Storage Temperature Range | T_{STG} | -55~+150 | °C |

78L05 ELECTRICAL CHARACTERISTICS

 ($V_i=10V, I_o=40mA, 0 < T_j < 125^\circ C, C_1=0.33\mu F, C_o=0.1\mu F$, unless otherwise specified)(Note 1)

| Characteristic | Symbol | Test conditions | MIN | TYP | MAX | UNIT |
|----------------------------------|-------------------------|---|------|------|------|---------------|
| Output Voltage | V_o | $T_j=25^\circ C$ | 4.8 | 5.0 | 5.2 | V |
| | | $7V \leq V_i \leq 20V, I_o=1mA \sim 40mA$ | 4.75 | | 5.25 | V |
| | | $7V \leq V_i \leq V_{MAX}, I_o=1mA \sim 70mA$ | 4.75 | | 5.25 | V (note 2) |
| Output Voltage(note 3) | V_o | $T_j=25^\circ C$ | 4.9 | 5.0 | 5.1 | V |
| | | $7V \leq V_i \leq 20V, I_o=1mA \sim 40mA$ | 4.85 | | 5.15 | V |
| | | $7V \leq V_i \leq V_{MAX}, I_o=1mA \sim 70mA$ | 4.85 | | 5.15 | V (note 2) |
| Load Regulation | ΔV_o | $T_j=25^\circ C, I_o=1mA \sim 130mA$ | | 11 | 60 | mV |
| | | $T_j=25^\circ C, I_o=1mA \sim 40mA$ | | 5.0 | 30 | mV |
| Line regulation | ΔV_o | $7V \leq V_i \leq 20V, T_j=25^\circ C$ | | 8 | 150 | mV |
| | | $8V \leq V_i \leq 20V, T_j=25^\circ C$ | | 6 | 100 | mV |
| Quiescent Current | I_q | | | 2.0 | 5.5 | mA |
| Quiescent Current Change | ΔI_q | $8V \leq V_i \leq 20V$ | | | 1.5 | mA |
| | ΔI_q | $1mA \leq V_i \leq 40mA$ | | | 0.1 | mA |
| Output Noise Voltage | V_N | $10Hz \leq f \leq 100kHz$ | | 40 | | μV |
| Temperature coefficient of V_o | $\Delta V_o / \Delta T$ | $I_o=5mA$ | | 0.65 | | $mV/^\circ C$ |
| Ripple Rejection | RR | $8V \leq V_i \leq 20V, f=120Hz, T_j=25^\circ C$ | 40 | 49 | | dB |
| Dropout Voltage | V_d | $T_j=25^\circ C$ | | 1.7 | | V |

78L06 ELECTRICAL CHARACTERISTICS

(VI=12V, Io=40mA, 0<Tj<125°C, C1=0.33μF, Co=0.1μF, unless otherwise specified)(Note 1)

| Characteristic | Symbol | Test conditions | MIN | TYP | MAX | UNIT |
|-------------------------------|--------|---------------------------------|------|------|------|---------------|
| Output Voltage | Vo | Tj=25°C | 5.75 | 6.0 | 6.25 | V |
| | | 8.5V≤Vi≤20V, Io=1mA~40mA | 5.7 | | 6.3 | V |
| | | 8.5V≤Vi≤VMAX, Io=1mA~70mA | 5.7 | | 6.3 | V (note 2) |
| Output Voltage(note 3) | Vo | Tj=25°C | 5.88 | 6.0 | 6.12 | V |
| | | 8.5V≤Vi≤20V, Io=1mA~40mA | 5.82 | | 6.18 | V |
| | | 8.5V≤Vi≤VMAX, Io=1mA~70mA | 5.82 | | 6.18 | V (note 2) |
| Load Regulation | ΔVo | Tj=25°C, Io=1mA~130mA | | 12.8 | 80 | mV |
| | | Tj=25°C, Io=1mA~70mA | | 5.8 | 40 | mV |
| Line regulation | ΔVo | 8.5V≤Vi≤20V, Tj=25°C | | 64 | 175 | mV |
| | | 9V≤Vi≤20V, Tj=25°C | | 54 | 125 | mV |
| Quiescent Current | Iq | | | 2.0 | 5.5 | mA |
| Quiescent Current Change | ΔIq | 9V≤Vi≤20V | | | 1.5 | mA |
| | ΔIq | 1mA≤Io≤40mA | | | 0.1 | mA |
| Output Noise Voltage | VN | 10Hz≤f≤100kHz | | 49 | | μV |
| Temperature coefficient of Vo | ΔVo/ΔT | Io=5mA | | 0.75 | | mV/°C |
| Ripple Rejection | RR | 10V≤Vi≤20V, f=120Hz, Tj=25°C | 38 | 46 | | dB |
| Dropout Voltage | Vd | Tj=25°C | | 1.7 | | V |

78L08 ELECTRICAL CHARACTERISTICS

 (VI=14V, I_o=40mA, 0<T_j<125°C, C1=0.33μF, Co=0.1μF, unless otherwise specified)(Note 1)

| Characteristic | Symbol | Test conditions | MIN | TYP | MAX | UNIT |
|---|---------------------|---|------|------|------|------------|
| Output Voltage | V _o | T _j =25°C | 7.7 | 8.0 | 8.3 | V |
| | | 10.5V≤V _i ≤23V, I _o =1mA~40mA | 7.6 | | 8.4 | V |
| | | 10.5V≤V _i ≤V _{MAX} , I _o =1mA~70mA | 7.6 | | 8.4 | V (note 2) |
| Output Voltage(note 3) | V _o | T _j =25°C | 7.84 | 8.0 | 8.16 | V |
| | | 10.5V≤V _i ≤23V, I _o =1mA~40mA | 7.76 | | 8.24 | V |
| | | 10.5V≤V _i ≤V _{MAX} , I _o =1mA~70mA | 7.76 | | 8.24 | V (note 2) |
| Load Regulation | ΔV _o | T _j =25°C, I _o =1mA~130mA | | 15 | 80 | mV |
| | | T _j =25°C, I _o =1mA~70mA | | 8.0 | 40 | mV |
| Line regulation | ΔV _o | 10.5V≤V _i ≤23V, T _j =25°C | | 10 | 175 | mV |
| | | 11V≤V _i ≤23V, T _j =25°C | | 8 | 125 | mV |
| Quiescent Current | I _q | | | 2.0 | 5.5 | mA |
| Quiescent Current Change | ΔI _q | 11V≤V _i ≤23V | | | 1.5 | mA |
| | ΔI _q | 1mA≤V _i ≤40mA | | | 0.1 | mA |
| Output Noise Voltage | V _N | 10Hz≤f≤100kHz | | 49 | | μV |
| Temperature coefficient of V _o | ΔV _o /ΔT | I _o =5mA | | 0.75 | | mV/°C |
| Ripple Rejection | RR | 11V≤V _i ≤23V, f=120Hz, T _j =25°C | 36 | 45 | | dB |
| Dropout Voltage | V _d | T _j =25°C | | 1.7 | | V |

78L09 ELECTRICAL CHARACTERISTICS

(VI=15V, IO=40mA, 0<Tj<125°C, C1=0.33μF, Co=0.1μF, unless otherwise specified)(Note 1)

| Characteristic | Symbol | Test conditions | MIN | TYP | MAX | UNIT |
|-------------------------------|--------|------------------------------|------|------|------|---------------|
| Output Voltage | Vo | Tj=25°C | 8.64 | 9.0 | 9.36 | V |
| | | 11.5V≤Vi≤24V, Io=1mA~40mA | 8.55 | | 9.45 | V |
| | | 11.5V≤Vi≤VMAX, Io=1mA~70mA | 8.55 | | 9.45 | V (note 2) |
| Output Voltage(note 3) | Vo | Tj=25°C | 8.82 | 9.0 | 9.18 | V |
| | | 11.5V≤Vi≤24V, Io=1mA~40mA | 8.73 | | 9.27 | V |
| | | 11.5V≤Vi≤VMAX, Io=1mA~70mA | 8.73 | | 9.27 | V (note 2) |
| Load Regulation | ΔVo | Tj=25°C, Io=1mA~130mA | | 20 | 90 | mV |
| | | Tj=25°C, Io=1mA~40mA | | 10 | 45 | mV |
| Line regulation | ΔVo | 11.5V≤Vi≤24V, Tj=25°C | | 90 | 200 | mV |
| | | 13V≤Vi≤24V, Tj=25°C | | 100 | 150 | mV |
| Quiescent Current | Iq | | | 2.0 | 5.5 | mA |
| Quiescent Current Change | ΔIq | 13V≤Vi≤24V | | | 1.5 | mA |
| | ΔIq | 1mA≤Vi≤40mA | | | 0.1 | mA |
| Output Noise Voltage | VN | 10Hz≤f≤100kHz | | 49 | | μV |
| Temperature coefficient of Vo | ΔVo/ΔT | Io=5mA | | 0.75 | | mV/°C |
| Ripple Rejection | RR | 12V≤Vi≤23V, f=120Hz, Tj=25°C | 36 | 44 | | dB |
| Dropout Voltage | Vd | Tj=25°C | | 1.7 | | V |

78L12 ELECTRICAL CHARACTERISTICS

(VI=19V, Io=40mA, 0<Tj<125°C, C1=0.33μF, Co=0.1μF, unless otherwise specified)(Note 1)

| Characteristic | Symbol | Test conditions | MIN | TYP | MAX | UNIT |
|-------------------------------|--------|------------------------------|-------|------|-------|---------------|
| Output Voltage | Vo | Tj=25°C | 11.5 | 12 | 12.6 | V |
| | | 14.5V≤Vi≤27V, Io=1mA~40mA | 11.4 | | 12.6 | V |
| | | 14.5V≤Vi≤VMAX, Io=1mA~70mA | 11.4 | | 12.6 | V (note 2) |
| Output Voltage(note 3) | Vo | Tj=25°C | 11.76 | 12.0 | 12.24 | V |
| | | 14.5V≤Vi≤27V, Io=1mA~40mA | 11.64 | | 12.36 | V |
| | | 14.5V≤Vi≤VMAX, Io=1mA~70mA | 11.64 | | 12.36 | V (note 2) |
| Load Regulation | ΔVo | Tj=25°C, Io=1mA~130mA | | 25 | 150 | mV |
| | | Tj=25°C, Io=1mA~40mA | | 12 | 75 | mV |
| Line regulation | ΔVo | 14.5V≤Vi≤27V, Tj=25°C | | 25 | 300 | mV |
| | | 16V≤Vi≤27V, Tj=25°C | | 20 | 250 | mV |
| Quiescent Current | Iq | | | 2.0 | 5.5 | mA |
| Quiescent Current Change | ΔIq | 16V≤Vi≤27V | | | 1.5 | mA |
| | ΔIq | 1mA≤Vi≤40mA | | | 0.1 | mA |
| Output Noise Voltage | VN | 10Hz≤f≤100kHz | | 80 | | μV |
| Temperature coefficient of Vo | ΔVo/ΔT | Io=5mA | | 1.0 | | mV/°C |
| Ripple Rejection | RR | 15V≤Vi≤25V, f=120Hz, Tj=25°C | 36 | 42 | | dB |
| Dropout Voltage | Vd | Tj=25°C | | 1.7 | | V |

78L15 ELECTRICAL CHARACTERISTICS

(VI=23V, Io=40mA, 0<Tj<125°C, C1=0.33μF, Co=0.1μF, unless otherwise specified)(Note 1)

| Characteristic | Symbol | Test conditions | MIN | TYP | MAX | UNIT |
|-------------------------------|--------|----------------------------------|-------|------|-------|---------------|
| Output Voltage | Vo | Tj=25°C | 14.4 | 15 | 15.6 | V |
| | | 17.5V≤Vi≤30V, Io=1mA~40mA | 14.25 | | 15.75 | V |
| | | 17.5V≤Vi≤VMAX, Io=1mA~70mA | 14.25 | | 15.75 | V (note 2) |
| Output Voltage(note 3) | Vo | Tj=25°C | 14.7 | 15.0 | 15.3 | V |
| | | 17.5V≤Vi≤30V, Io=1mA~40mA | 14.55 | | 15.45 | V |
| | | 17.5V≤Vi≤VMAX, Io=1mA~70mA | 14.55 | | 15.45 | V (note 2) |
| Load Regulation | ΔVo | Tj=25°C, Io=1mA~130mA | | 20 | 150 | mV |
| | | Tj=25°C, Io=1mA~70mA | | 25 | 150 | mV |
| Line regulation | ΔVo | 17.5V≤Vi≤30V, Tj=25°C | | 25 | 150 | mV |
| | | 20V≤Vi≤30V, Tj=25°C | | 15 | 75 | mV |
| Quiescent Current | Iq | | | 2.2 | 6.0 | mA |
| Quiescent Current Change | ΔIq | 20V≤Vi≤30V | | | 1.5 | mA |
| | ΔIq | 1mA≤Vi≤40mA | | | 0.1 | mA |
| Output Noise Voltage | VN | 10Hz≤f≤100kHz | | 90 | | μV |
| Temperature coefficient of Vo | ΔVo/ΔT | Io=5mA | | 1.3 | | mV/°C |
| Ripple Rejection | RR | 18.5V≤Vi≤28.5V, f=120Hz, Tj=25°C | 33 | 39 | | dB |
| Dropout Voltage | Vd | Tj=25°C | | 1.7 | | V |

78L18 ELECTRICAL CHARACTERISTICS

(VI=27V, IO=40mA, 0<Tj<125°C, C1=0.33μF, Co=0.1μF, unless otherwise specified)(Note 1)

| Characteristic | Symbol | Test conditions | MIN | TYP | MAX | UNIT |
|-------------------------------|--------|------------------------------|-------|------|-------|---------------|
| Output Voltage | Vo | Tj=25°C | 17.3 | 18 | 18.7 | V |
| | | 21V≤Vi≤33V, IO=1mA~40mA | 17.1 | | 18.9 | V |
| | | 21V≤Vi≤VMAX, IO=1mA~70mA | 17.1 | | 18.9 | V (note 2) |
| Output Voltage(note 3) | Vo | Tj=25°C | 17.64 | 18.0 | 18.36 | V |
| | | 21V≤Vi≤33V, IO=1mA~40mA | 17.46 | | 18.54 | V |
| | | 21V≤Vi≤VMAX, IO=1mA~70mA | 17.46 | | 18.54 | V (note 2) |
| Load Regulation | ΔVo | Tj=25°C, IO=1mA~130mA | | 30 | 170 | mV |
| | | Tj=25°C, IO=1mA~40mA | | 15 | 85 | mV |
| Line regulation | ΔVo | 21V≤Vi≤33V, Tj=25°C | | 145 | 300 | mV |
| | | 22V≤Vi≤33V, Tj=25°C | | 135 | 250 | mV |
| Quiescent Current | Iq | | | 2.2 | 6.0 | mA |
| Quiescent Current Change | ΔIq | 21V≤Vi≤33V | | | 1.5 | mA |
| | ΔIq | 1mA≤Vi≤40mA | | | 0.1 | mA |
| Output Noise Voltage | Vn | 10Hz≤f≤100kHz | | 150 | | μV |
| Temperature coefficient of Vo | ΔVo/ΔT | IO=5mA | | 1.8 | | mV/°C |
| Ripple Rejection | RR | 23V≤Vi≤33V, f=120Hz, Tj=25°C | 32 | 38 | | dB |
| Dropout Voltage | Vd | Tj=250°C | | 1.7 | | V |

78L24 ELECTRICAL CHARACTERISTICS

(VI=33V, Io=40mA, 0<Tj<125°C, C1=0.33μF, Co=0.1μF, unless otherwise specified)(Note 1)

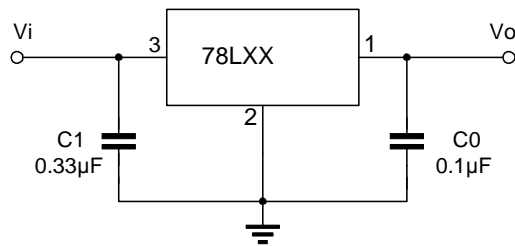
| Characteristic | Symbol | Test conditions | MIN | TYP | MAX | UNIT |
|-------------------------------|--------|------------------------------|-------|-----|-------|---------------|
| Output Voltage | Vo | Tj=25°C | 23 | 24 | 25 | V |
| | | 27V≤Vi≤38V, Io=1mA~40mA | 22.8 | | 25.2 | V |
| | | 27V≤Vi≤VMAX, Io=1mA~70mA | 22.8 | | 25.2 | V (note 2) |
| Output Voltage(note 3) | Vo | Tj=25°C | 23.5 | 24 | 24.5 | V |
| | | 27V≤Vi≤38V, Io=1mA~40mA | 23.25 | | 24.75 | V |
| | | 27V≤Vi≤VMAX, Io=1mA~70mA | 23.25 | | 24.75 | V (note 2) |
| Load Regulation | ΔVo | Tj=25°C, Io=1mA~130mA | | 40 | 200 | mV |
| | | Tj=25°C, Io=1mA~40mA | | 20 | 100 | mV |
| Line regulation | ΔVo | 27V≤Vi≤38V, Tj=25°C | | 160 | 300 | mV |
| | | 28V≤Vi≤38V, Tj=25°C | | 150 | 250 | mV |
| Quiescent Current | Iq | | | 2.2 | 6.0 | mA |
| Quiescent Current Change | ΔIq | 27V≤Vi≤38V | | | 1.5 | mA |
| | ΔIq | 1mA≤Vi≤40mA | | | 0.1 | mA |
| Output Noise Voltage | VN | 10Hz≤f≤100kHz | | 200 | | μV |
| Temperature coefficient of Vo | ΔVo/ΔT | Io=5mA | | 2.0 | | mV/°C |
| Ripple Rejection | RR | 27V≤Vi≤38V, f=120Hz, Tj=25°C | 30 | 37 | | dB |
| Dropout Voltage | Vd | Tj=25°C | | 1.7 | | V |

Note 1: The Maximum steady state usable output current and input voltage are very dependent on the heating sinking and/or lead temperature length of the package. The data above represent pulse test conditions with junction temperatures as indicated at the initiation of test.

Note 2: Power dissipation < 0.75W.

Note 3: Output voltage of 78LXXA.

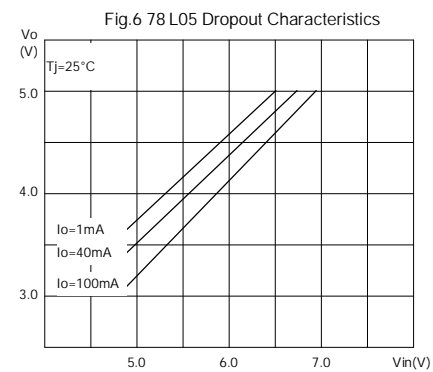
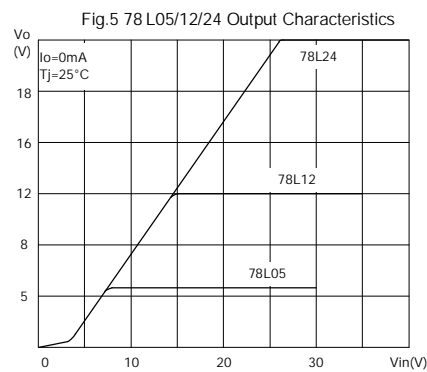
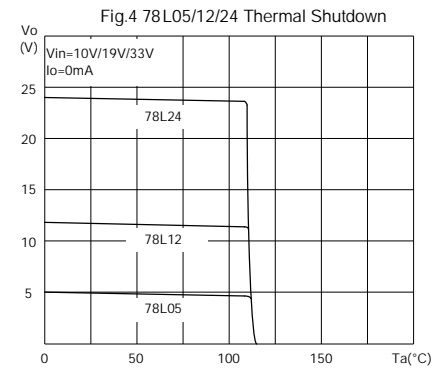
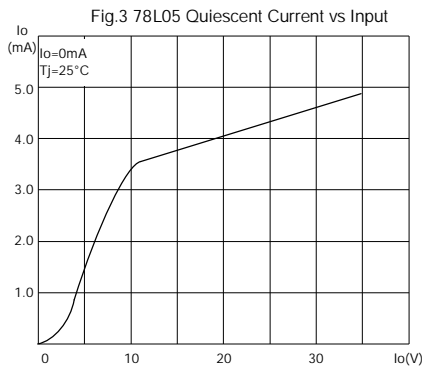
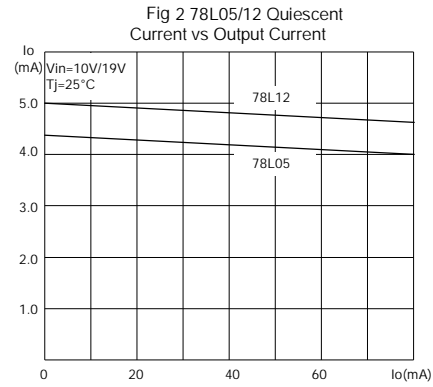
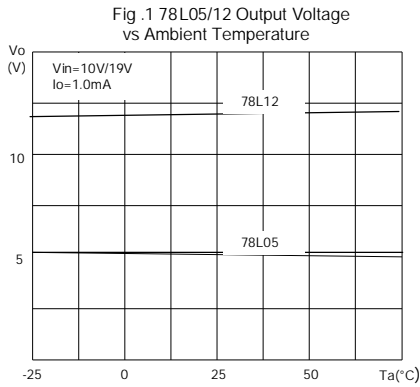
TYPICAL APPLICATION



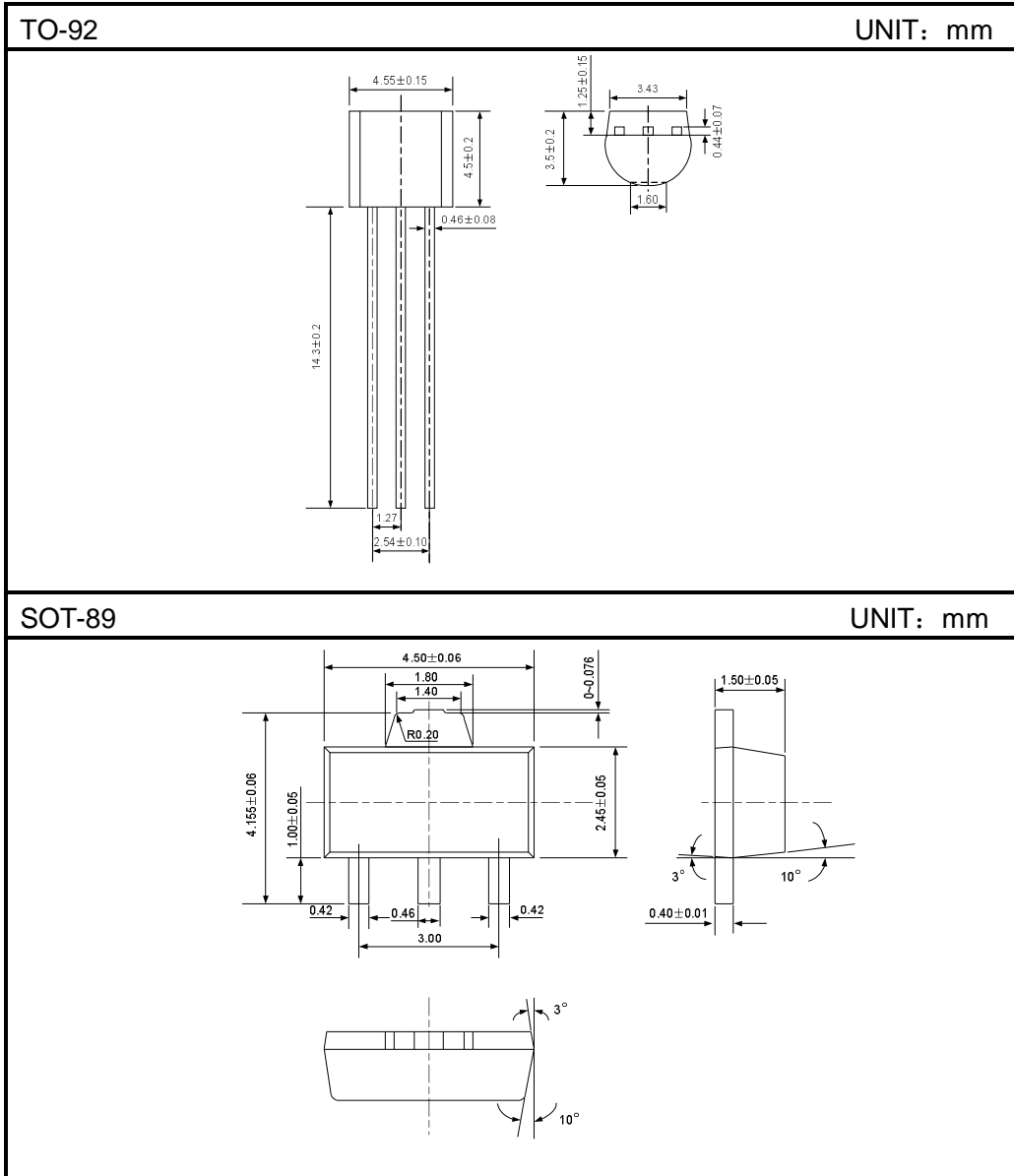
Note 1: To specify an output voltage, substitute voltage value for "XX".

Note 2: Bypass capacitors are recommended for optimum stability and transient response and should be located as close as possible to the regulators.

TYPICAL PERFORMANCE CHARACTERISTICS



PACKAGE OUTLINE



X-ON Electronics

Largest Supplier of Electrical and Electronic Components

Click to view similar products for [Linear Voltage Regulators](#) category:

Click to view products by [Youtai](#) manufacturer:

Other Similar products are found below :

[LV56831P-E](#) [LV5684PVD-XH](#) [MCDTSA6-2R](#) [L7815ACV-DG](#) [PQ3DZ53U](#) [LV56801P-E](#) [TLE42794G](#) [L78L05CZ/1SX](#) [L78LR05DL-MA-E](#) [636416C](#) [714954EB](#) [BA033LBSG2-TR](#) [LV5680P-E](#) [L78M15CV-DG](#) [L79M05T-E](#) [TLS202A1MBVHTSA1](#) [L78LR05D-MA-E](#) [NCV317MBTG](#) [NTE7227](#) [LV5680NPVC-XH](#) [LT1054CN8](#) [MP2018GZD-5-Z](#) [MP2018GZD-33-Z](#) [MIC5281-3.3YMM](#) [MC78L06BP-AP](#) [TA48LS05F\(TE85L,F\)](#) [TA78L12F\(TE12L,F\)](#) [TC47BR5003ECT](#) [TCR2LN12,LF\(S](#) [TCR2LN28,LF\(S](#) [TCR2LN30,LF\(S](#) [TCR3DF295,LM\(CT](#) [TCR3DF40,LM\(CT](#) [BA178M20CP-E2](#) [L78M12ABDT](#) [LM7812SX/NOPB](#) [LR645N3-G-P003](#) [LR645N3-G-P013](#) [ZXTR2005P5-13](#) [SCD7812BTG](#) [TCR3DF335,LM\(CT](#) [ZXTR2012K-13](#) [TLE42994E V33](#) [ZXTR2008K-13](#) [ZXTR2005K-13](#) [L88R05DL-E](#) [ADP3300ARTZ-2.7RL7](#) [LM120K-15/883](#) [IFX54441LDVXUMA1](#) [LM317D2T-TR](#)