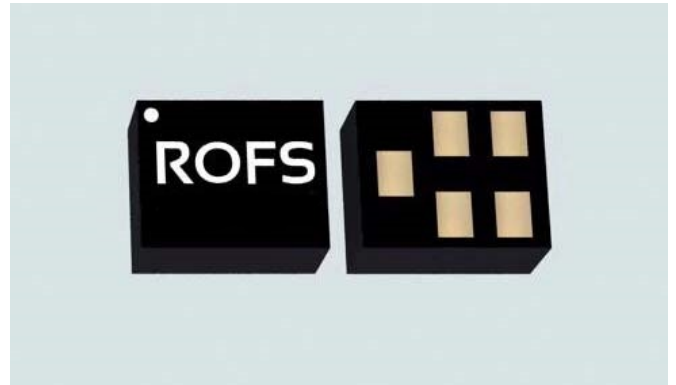


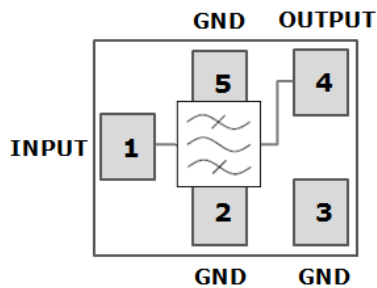
Description

YTLC7924E is a Wi-Fi band filter, which is designed with Film Bulk Acoustic Resonator (FBAR) technology. The product can provide low insertion loss and steep skirt to enables coexistence of Wi-Fi and LTE signals within the same device or in close proximity to one another. The typical insertion loss in the pass band is less than 1.8dB. Typical rejection at the LTE Band 38 and LTE Band 7 and 41 is more than 40dB, at the LTE Band 40 is more than 42dB.

For the chip package, the YTLC7924E uses advanced module packing techniques to achieve the industry standard 1.1x0.9x0.6mm footprint, include bumping and flip chip.



Functional Block Diagram



Pin Connection

No.	Function
1	Input
4	Output
2,3,5	Ground

Features

- For Wi-Fi - LTE coexistence application
- Plastic Chip Scale Package(CSP)
- Miniature Size: 1.1mm x 0.9 mm x 0.6 mm
- Fast Roll-off from Wi-Fi to near LTE Bands
- High Rejection at LTE bands.
- Low Temperature Coefficient of Frequency
- Storage temperature range: -40 to +150 °C
- Excellent ESD protection ability: Class 1C
- Moisture Sensitivity : MSL3

Applications

- Wi-Fi bandpass filter enables the coexistence of (LTE/TD-LTE) & Wi-Fi
- ISM band applications such as Smart Meters
- Portable Hotspots and Mobile Routers

Environmental

- Full implement with RoHS compliant
- Lead Free (Pb free)



Electrical Specifications

Parameter(Operable Temperature:-30 to +85°C)	Min	Typ	Max	Unit
Insertion Loss(2402.5 ~ 2421.5 MHz)	\	1.5	2.3	dB
Insertion Loss(2407.5 ~ 2476.5 MHz)	\	1.3	2.5	dB
Insertion Loss(2462.5 ~ 2481.5 MHz)	\	1.8	3.0	dB
Ripple(2402.5 ~ 2421.5 MHz)	\	0.5	1.0	dB
Ripple(2407.5 ~ 2476.5 MHz)	\	1.2	1.6	dB
Ripple(2462.5 ~ 2481.5 MHz)	\	1.4	1.8	dB
Return Loss(2402.5 ~ 2481.5 MHz)	12	20	\	dB
Absolute Attenuation			\	
800 ~ 2000 MHz	30	40	\	dB
2000 ~ 2170 MHz	25	37	\	dB
2300 ~ 2370 MHz	42	54	\	dB
2370 ~ 2375 MHz	42	53	\	dB
2375 ~ 2380 MHz	25	48	\	dB
2500 ~ 2505 MHz	25	50	\	dB
2505 ~ 2570 MHz	37	57	\	dB
2570 ~ 2620 MHz	37	47	\	dB
2620 ~ 2690 MHz	37	44	\	dB
4800 ~ 5805 MHz	37	43	\	dB

(1) **Typ Data** is the integrated value of the linear S-parameter over indicated band.



Typical Performance at Tc=25 °C

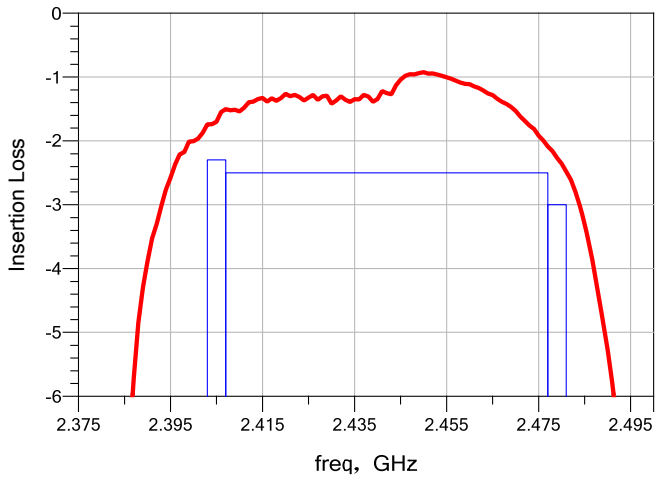


Figure.1 Passband Insertion Loss

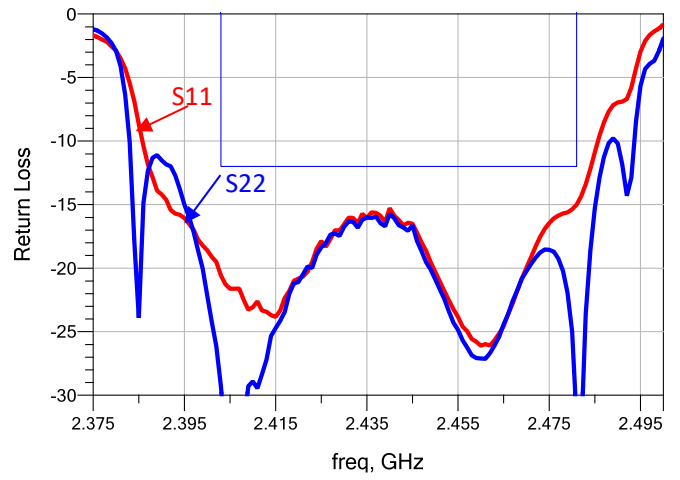


Figure.2 Passband Return Loss

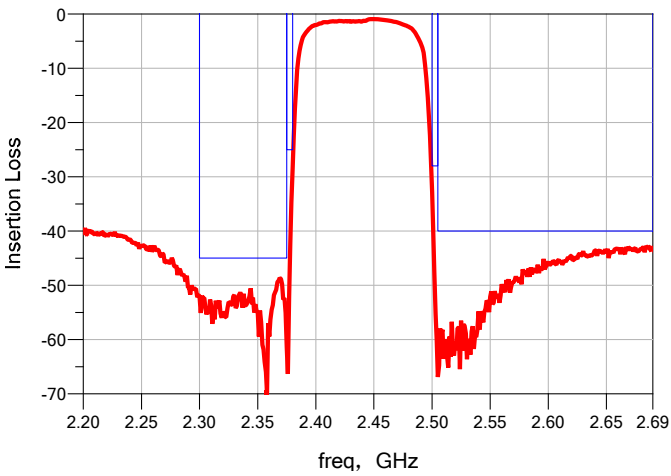


Figure.3 Narrowband Insertion Loss

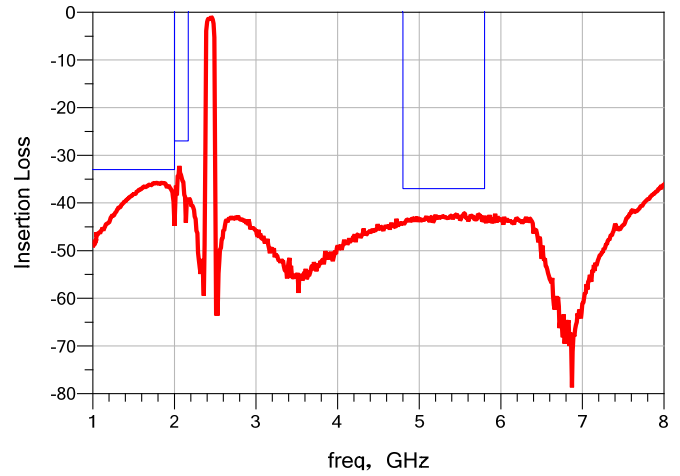


Figure.4 Wideband Insertion Loss

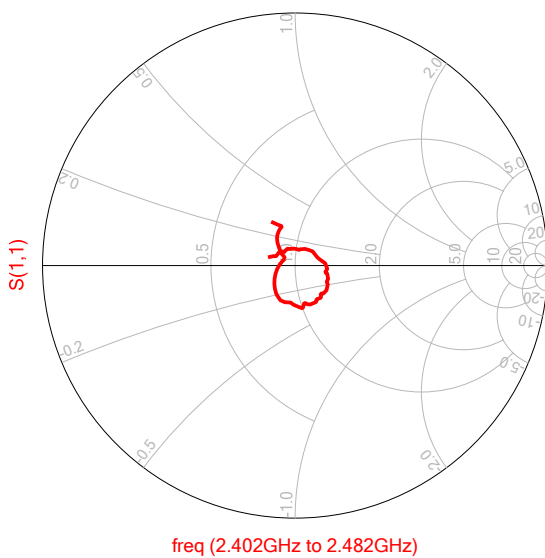


Figure.5 Input Smith Chart S11

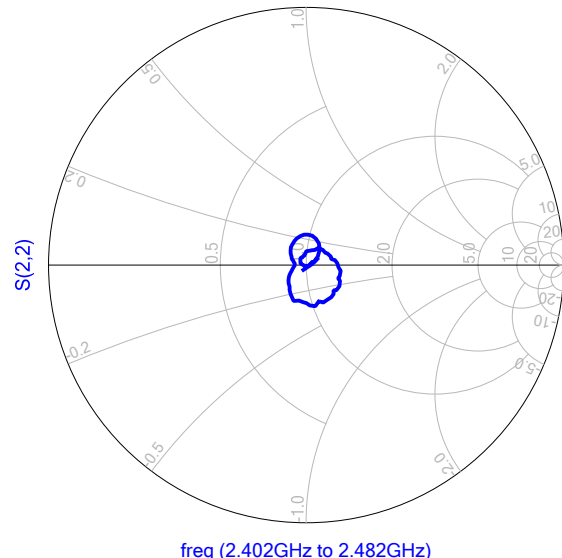
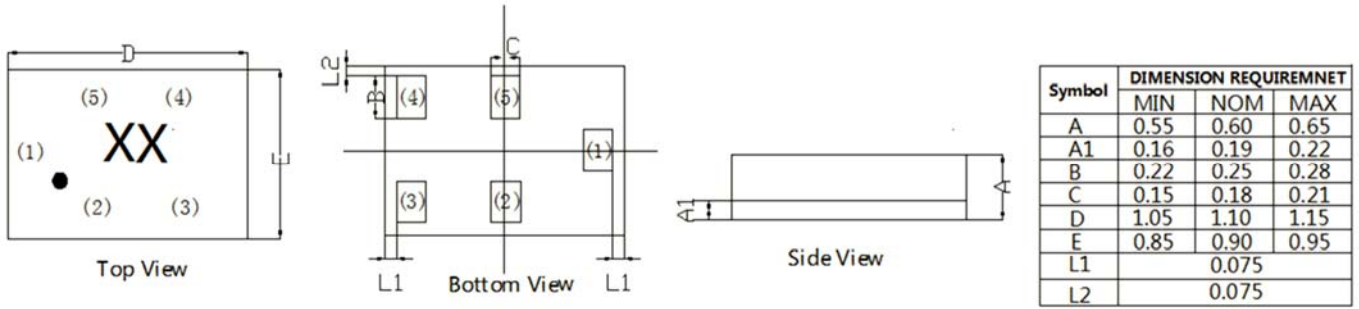


Figure.6 Output Smith Chart S22



Package Outline Drawing



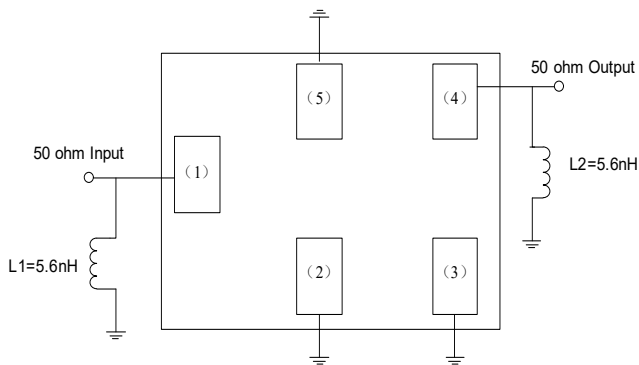
Notes:

1. Dimension: mm
2. Dimensions nominal unless otherwise noted
3. Contact area are gold plated
4. Pad(1) to (5) are same size
5. XX is ROFS inside code

Pin Connection:

- | | |
|-------|--------|
| 1 | Input |
| 4 | Output |
| 2,3,5 | Ground |

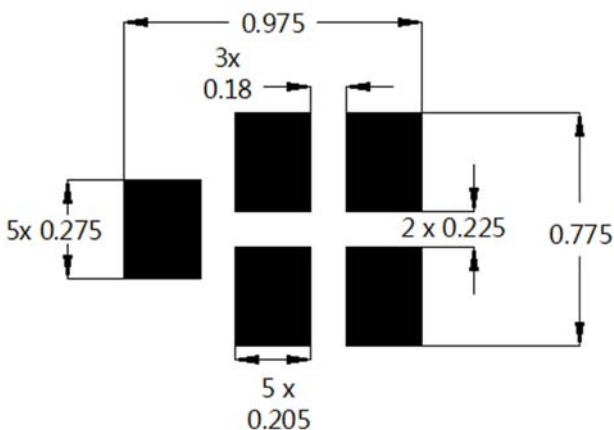
Test Circuit



Notes:

1. Matching component values shown are ROFS evaluation board results, please adjust component values by the actual use environment.

PCB Footprint

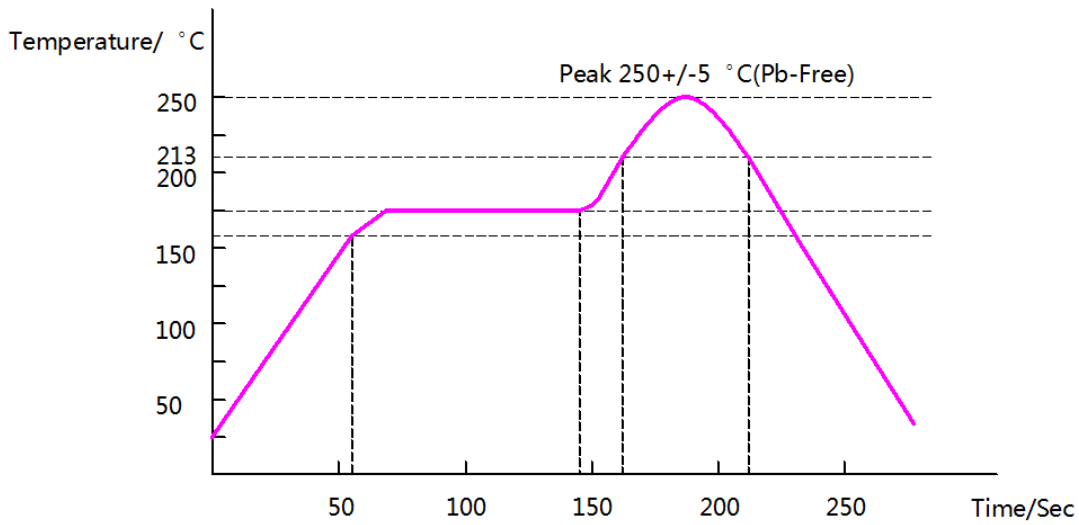


Notes:

1. Black indicates metalized area.
2. This footprint represents a recommendation only, some modification may be necessary to suit end user assembly materials and processes.
3. For solder pad recommendation see mechanical information.
4. Dimensions shown are nominal in millimeters.



Recommended IR Reflow Profile



Order Information

Part Number	Qty Per Reel	Container
YTLC7924E	5000	7 inch Reel



X-ON Electronics

Largest Supplier of Electrical and Electronic Components

Click to view similar products for [Signal Conditioning category](#):

Click to view products by [YTL manufacturer](#):

Other Similar products are found below :

[PD0409J5050S2HF](#) [HHS-109-PIN](#) [AFS14A35-1591.50-T3](#) [JP510S](#) [LFB322G45SN1A504](#) [SF2159E](#) [FM-104-PIN](#) [CER0813B](#)

[MAPDCC0005](#) [3A325](#) [BD0810N50100AHF](#) [DC0710J5005AHF](#) [DC2327J5005AHF](#) [LFL15869MTC1B787](#) [X3C19F1-20S](#)

[CDBLB455KCAX39-B0](#) [RF1353C](#) [051157-0000](#) [PD0922J5050D2HF](#) [600S150FTRB](#) [1E1305-3](#) [1F1304-3S](#) [TP-103-PIN](#)

[BD1222J50200AHF](#) [BD1722J50100AHF](#) [2450DP39K5400E](#) [BD0810J50150AHF](#) [BD1722J50200AHF](#) [DS-327-PIN](#) [MACP-008125-](#)

[CK07F0](#) [DS-329-PIN](#) [DS-313-PIN](#) [TP-104-PIN](#) [TP-101-PIN](#) [HH-128-PIN](#) [8594810000](#) [T-1000-N](#) [JP506S](#) [XC0900P-10S](#) [XC0900B-30S](#)

[CHE1260-QAG](#) [11305-10](#) [5962-9091202MXA](#) [3A412S](#) [X3C06A4-03S](#) [B39000Z3410A4](#) [DSS-333-PIN](#) [PD2425J5050S2HF](#)

[B39242B4360P810](#) [B39781B8005P810](#)