

### Description

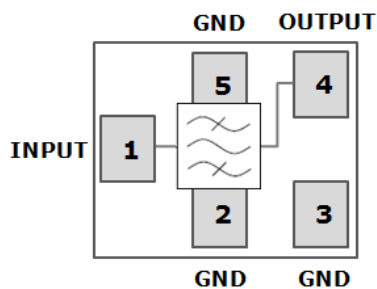
YTLP2303D is a high-performance, miniature filter designed for mobile equipment with LTE B40 band. It is designed with Film Bulk Acoustic Resonator (FBAR) technology, which can provide low insertion loss and steep skirt. So that this product enables coexistence of Wi-Fi signals within the same device or in close proximity to one another.

For general performance, the YTLP2303D typical insertion loss in the pass band is less than 1.0dB, and max insertion loss is within 2.0dB over -20~+85°C, while the typical rejection at the Wi-Fi and LTE41 band are more than 35dB.

For the chip package, the YTLP2303D uses advanced module packing techniques to achieve the industry standard 1.4x1.1x0.6mm footprint, include bumping and flip chip.



### Functional Block Diagram



### Pin Connection

No.	Function
1	Input
4	Output
2,3,5	Ground

### Features

- For Wi-Fi - LTE coexistence application
- Plastic Chip Scale Package(CSP)
- Miniature Size: 1.4mm x 1.1 mm x 0.6 mm
- High Rejection at Wi-Fi and LTE B41 bands.
- Low Temperature Coefficient of Frequency
- Storage temperature range: -40 to +150 °C
- Excellent ESD protection ability: Class 1C
- Moisture Sensitivity : MSL3

### Environmental

- Full implement with RoHS compliant
- Lead Free (Pb free)



## Electrical Specifications

Parameter(Operable Temperature:-20 to +85°C)	Min	Typ <sup>(1)</sup>	Max <sup>(2)</sup>	Unit
<b>Insertion Loss</b> (2300 ~ 2400 MHz)	\	0.9	2.0	dB
<b>Ripple</b> (2300 ~ 2400 MHz)	\	0.4	1.0	dB
<b>VSWR Input</b> (2300 ~ 2400 MHz)	\	1.2	1.5	
<b>VSWR Output</b> (2300 ~ 2400 MHz)	\	1.2	1.5	
<b>Absolute Attenuation</b>				
10 ~ 1574 MHz	23	44	\	dB
1574 ~ 1577 MHz	23	25	\	dB
1577 ~ 1680 MHz	22	25	\	dB
1845 ~ 1880 MHz	22	24	\	dB
2110 ~ 2170 MHz	25	29	\	dB
2421 ~ 2443 MHz (ch05,18MHz-BW)	20	37	\	dB
2421 ~ 2443 MHz (ch05,18MHz-BW,+25~+85°C)	37	54	\	dB
2426 ~ 2448 MHz (ch06,18MHz-BW)	50	55	\	dB
2431 ~ 2483 MHz (ch07-13,18MHz-BW)	37	48	\	dB
4600 ~ 4800 MHz	45	49	\	dB
Max RF Input Power <sup>(3)</sup> (2300 ~ 2400 MHz)			30	dBm

- (1) **Typ Data** is the integrated value of the linear S-parameter over indicated band at +25°C.  
 (2) **Min/Max Data** is being specified over -20 to +85°C.  
 (3) **Input power** applied for a minimum of 5,000 hrs at 55°C in the specified frequency band.



Typical Performance at Tc=25 °C

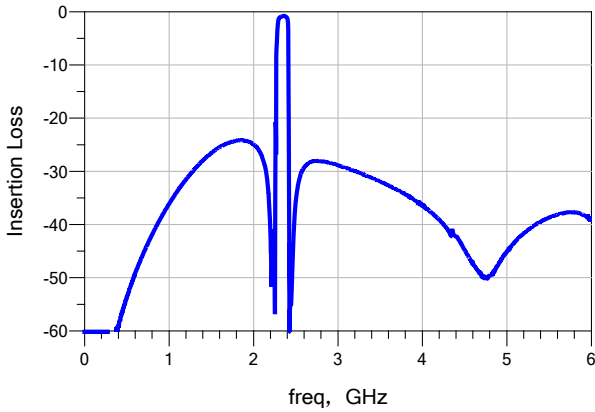


Figure.1 Wideband Insertion Loss

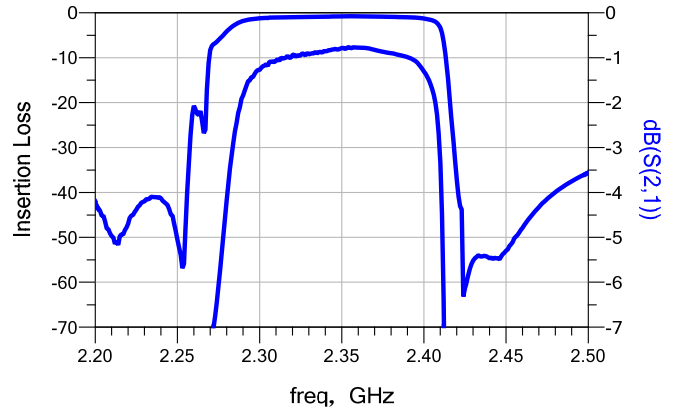


Figure.2 Narrowband Insertion Loss

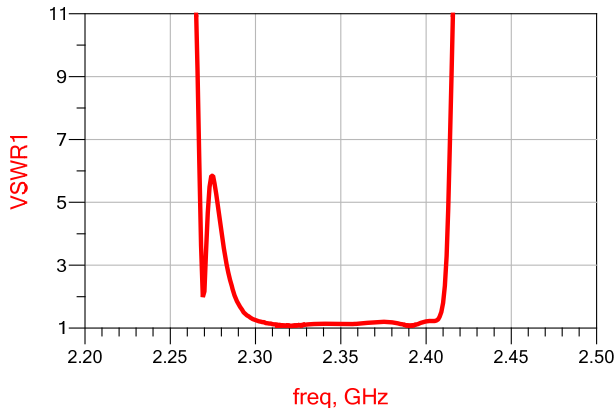


Figure.3 Input VSWR S11

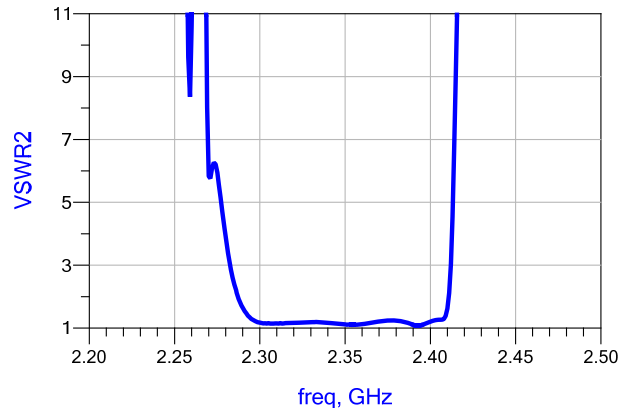


Figure.4 Output VSWR S22

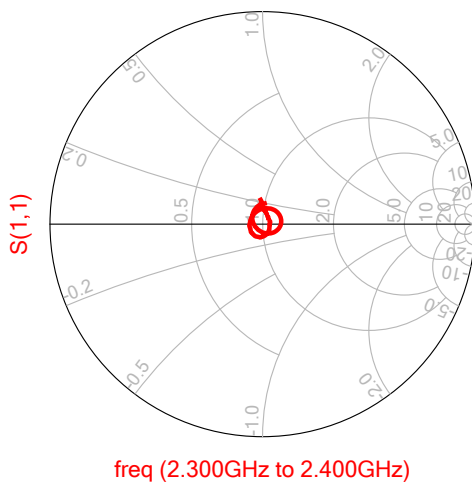


Figure.5 Input Smith Chart S11

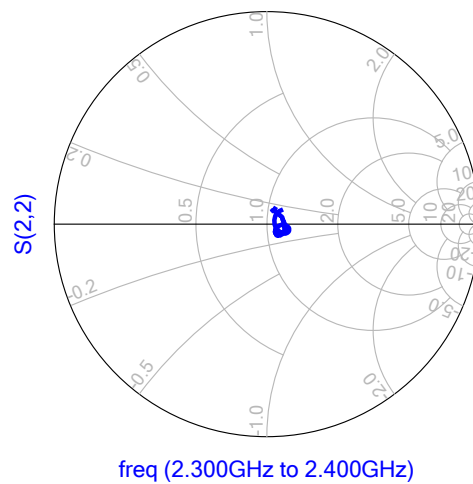
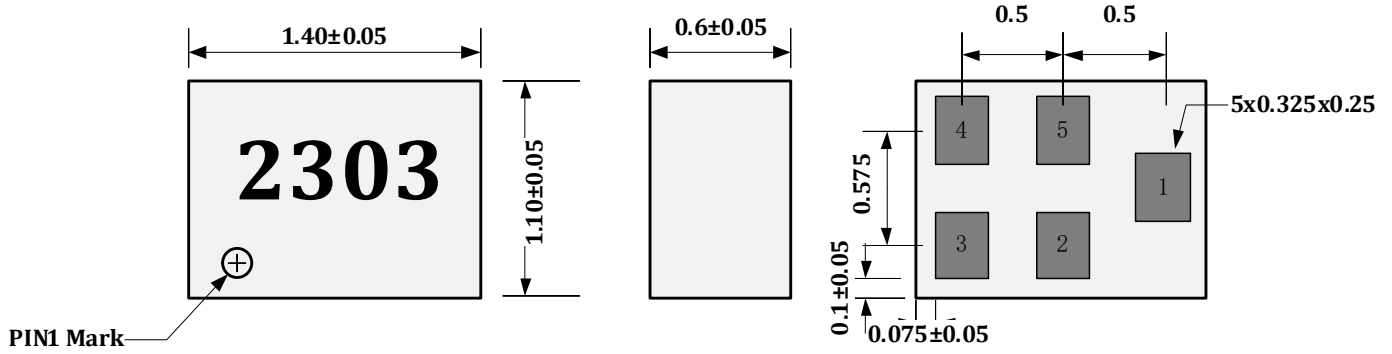


Figure.6 Output Smith Chart S22





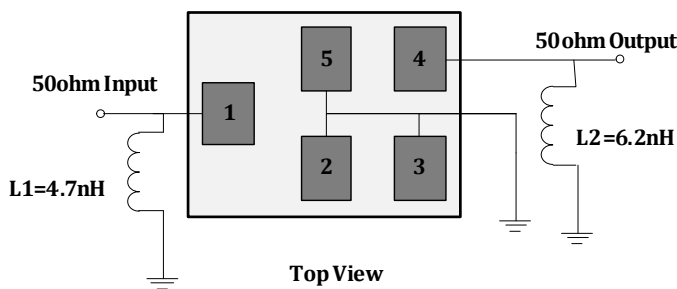
**Notes:**

1. Dimension: mm
2. Dimensions: nominal unless otherwise noted
3. Contact area are gold plated
4. Pad(1) to (5) are same size
5. XX is ROFS inside code

**Pin Connection:**

- 1 Input
- 4 Output
- 2,3,5 Ground

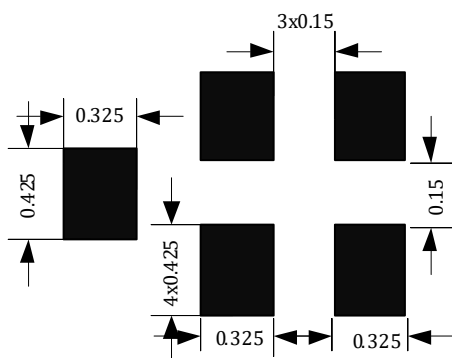
**Test Circuit**



**Notes:**

1. Matching component values shown are ROFS evaluation board results, please adjust component values by the actual use environment.

**PCB Footprint**



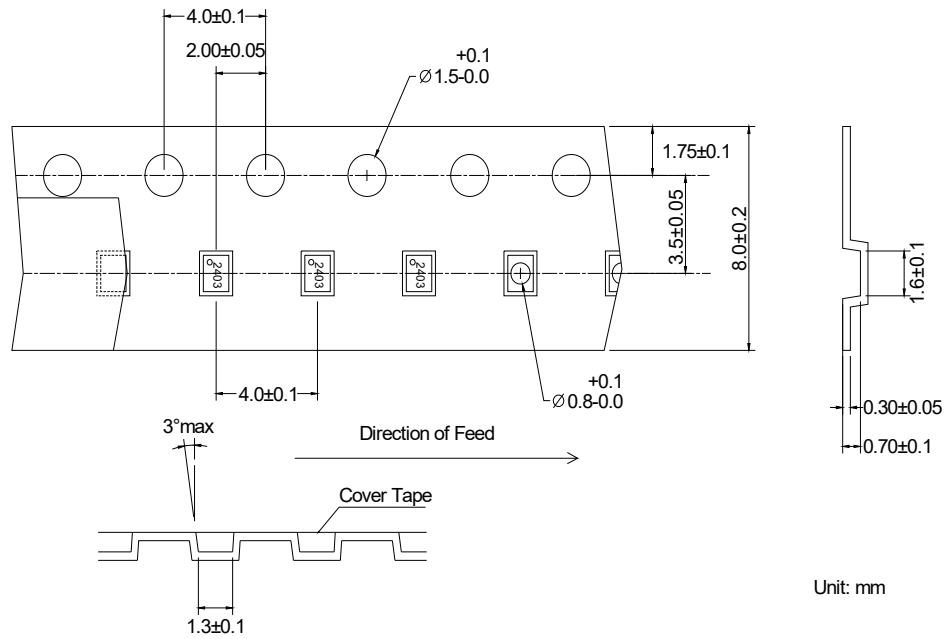
**Notes:**

1. Black indicates metalized area.
2. This footprint represents a recommendation only, some modification may be necessary to suit end user assembly materials and processes.
3. For solder pad recommendation see mechanical information.
4. Dimensions shown are nominal in millimeters.

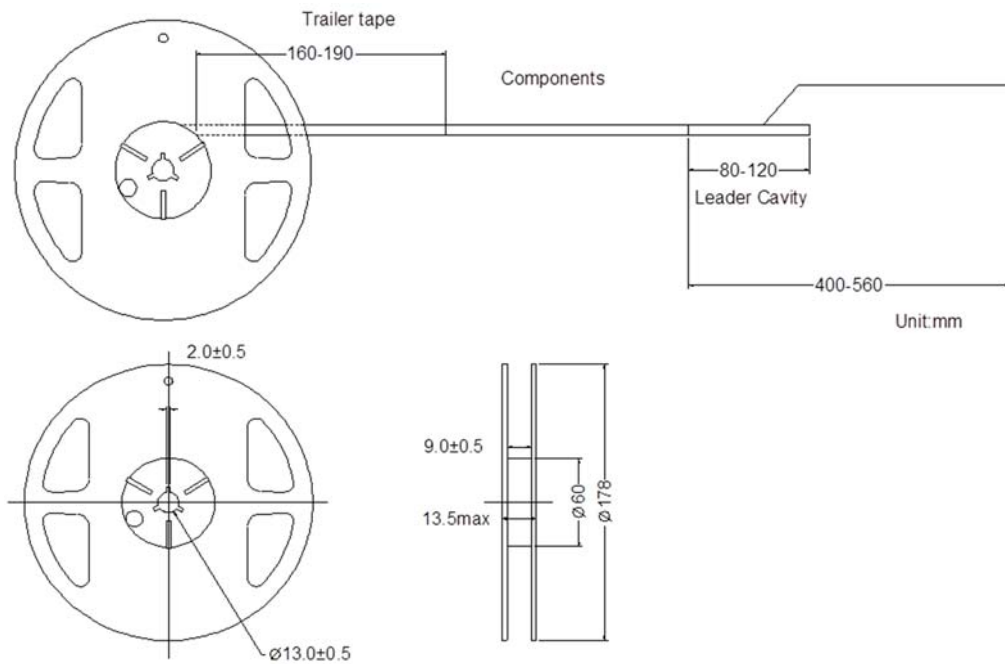
**Packing**



## 1. Tape Dimension



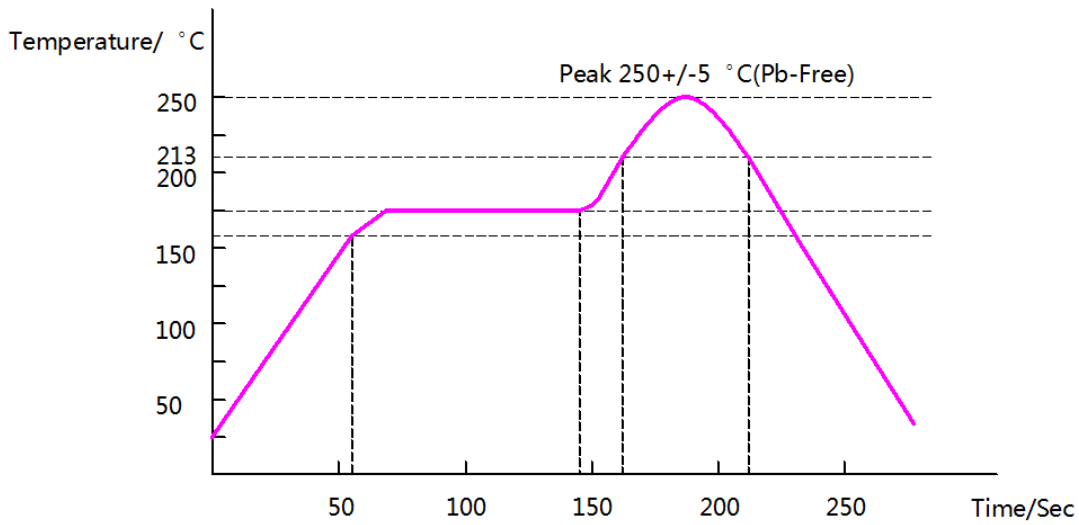
## 2. Reel Dimension



4000Pcs/Reel



## Recommended IR Reflow Profile



## Order Information

Part Number	Qty Per Reel	Container
YTLP2303D	4000	7 inch Reel



## X-ON Electronics

Largest Supplier of Electrical and Electronic Components

*Click to view similar products for [Signal Conditioning category](#):*

*Click to view products by [YTL manufacturer](#):*

Other Similar products are found below :

[PD0409J5050S2HF](#) [HHS-109-PIN](#) [AFS14A35-1591.50-T3](#) [JP510S](#) [LFB322G45SN1A504](#) [SF2159E](#) [FM-104-PIN](#) [CER0813B](#)

[MAPDCC0005](#) [3A325](#) [BD0810N50100AHF](#) [DC0710J5005AHF](#) [DC2327J5005AHF](#) [LFL15869MTC1B787](#) [X3C19F1-20S](#)

[CDBLB455KCAX39-B0](#) [RF1353C](#) [051157-0000](#) [PD0922J5050D2HF](#) [600S150FTRB](#) [1E1305-3](#) [1F1304-3S](#) [TP-103-PIN](#)

[BD1222J50200AHF](#) [BD1722J50100AHF](#) [2450DP39K5400E](#) [BD0810J50150AHF](#) [BD1722J50200AHF](#) [DS-327-PIN](#) [MACP-008125-](#)

[CK07F0](#) [DS-329-PIN](#) [DS-313-PIN](#) [TP-104-PIN](#) [TP-101-PIN](#) [HH-128-PIN](#) [8594810000](#) [T-1000-N](#) [JP506S](#) [XC0900P-10S](#) [XC0900B-30S](#)

[CHE1260-QAG](#) [11305-10](#) [5962-9091202MXA](#) [3A412S](#) [X3C06A4-03S](#) [B39000Z3410A4](#) [DSS-333-PIN](#) [PD2425J5050S2HF](#)

[B39242B4360P810](#) [B39781B8005P810](#)