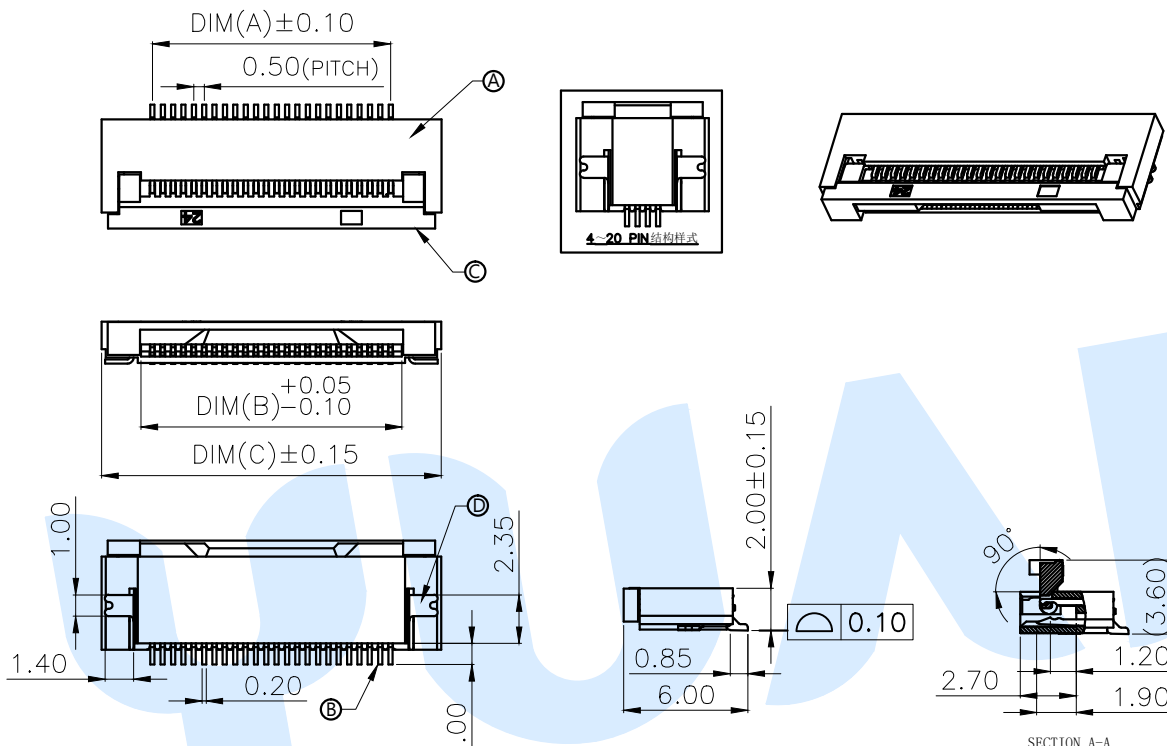
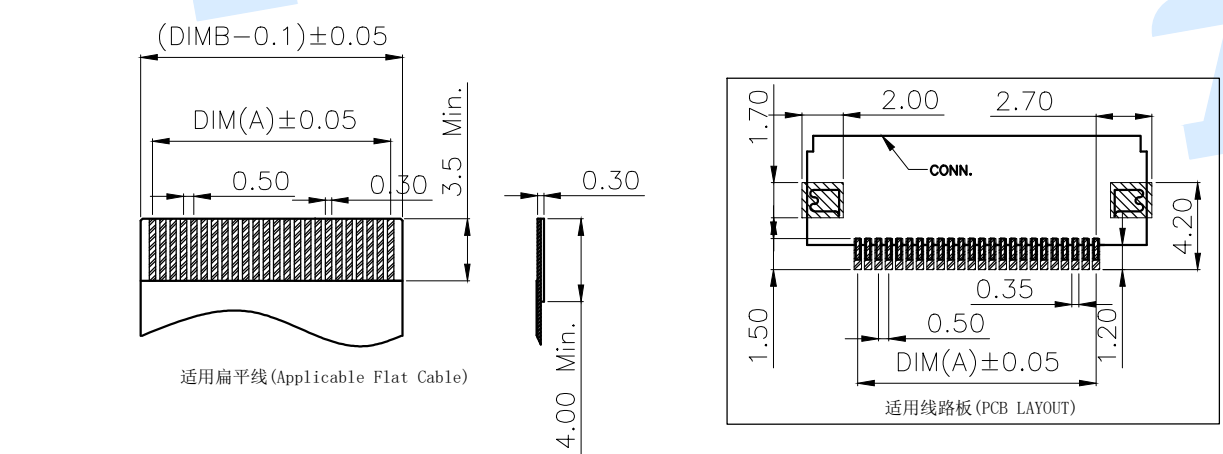


RoHS



Model No.	Pin	DIM A	DIM B	DIM C	Model No.	Pin	DIM A	DIM B	DIM C
FPC-0.5FX-04PH20	4	1.50	2.60	6.40	FPC-0.5FX-33PH20	33	16.00	17.10	20.90
FPC-0.5FX-05PH20	5	2.00	3.10	6.90	FPC-0.5FX-34PH20	34	16.50	17.60	21.40
FPC-0.5FX-06PH20	6	2.50	3.60	7.40	FPC-0.5FX-35PH20	35	17.00	18.10	21.90
FPC-0.5FX-07PH20	7	3.00	4.10	7.90	FPC-0.5FX-36PH20	36	17.50	18.60	22.40
FPC-0.5FX-08PH20	8	3.50	4.60	8.40	FPC-0.5FX-37PH20	37	18.00	19.10	22.90
FPC-0.5FX-09PH20	9	4.00	5.10	8.90	FPC-0.5FX-38PH20	38	18.50	19.60	23.40
FPC-0.5FX-10PH20	10	4.50	5.60	9.40	FPC-0.5FX-39PH20	39	19.00	20.10	23.90
FPC-0.5FX-11PH20	11	5.00	6.10	9.90	FPC-0.5FX-40PH20	40	19.50	20.60	24.40
FPC-0.5FX-12PH20	12	5.50	6.60	10.40	FPC-0.5FX-41PH20	41	20.00	21.10	24.90
FPC-0.5FX-13PH20	13	6.00	7.10	10.90	FPC-0.5FX-42PH20	42	20.50	21.60	25.40
FPC-0.5FX-14PH20	14	6.50	7.60	11.40	FPC-0.5FX-43PH20	43	21.00	22.10	25.90
FPC-0.5FX-15PH20	15	7.00	8.10	11.90	FPC-0.5FX-44PH20	44	21.50	22.60	26.40
FPC-0.5FX-16PH20	16	7.50	8.60	12.40	FPC-0.5FX-45PH20	45	22.00	23.10	26.90
FPC-0.5FX-17PH20	17	8.00	9.10	12.90	FPC-0.5FX-46PH20	46	22.50	23.60	27.40
FPC-0.5FX-18PH20	18	8.50	9.60	13.40	FPC-0.5FX-47PH20	47	23.00	24.10	27.90
FPC-0.5FX-19PH20	19	9.00	10.10	13.90	FPC-0.5FX-48PH20	48	23.50	24.60	28.40
FPC-0.5FX-20PH20	20	9.50	10.60	14.40	FPC-0.5FX-49PH20	49	24.00	25.10	28.90
FPC-0.5FX-21PH20	21	10.00	11.10	14.90	FPC-0.5FX-50PH20	50	24.50	25.60	29.40
FPC-0.5FX-22PH20	22	10.50	11.60	15.40	FPC-0.5FX-51PH20	51	25.00	26.10	29.90
FPC-0.5FX-23PH20	23	11.00	12.10	15.90	FPC-0.5FX-52PH20	52	25.50	26.60	30.40
FPC-0.5FX-24PH20	24	11.50	12.60	16.40	FPC-0.5FX-53PH20	53	26.00	27.10	30.90
FPC-0.5FX-25PH20	25	12.00	13.10	16.90	FPC-0.5FX-54PH20	54	26.50	27.60	31.40
FPC-0.5FX-26PH20	26	12.50	13.60	17.40	FPC-0.5FX-55PH20	55	27.00	28.10	31.90
FPC-0.5FX-27PH20	27	13.00	14.10	17.90	FPC-0.5FX-56PH20	56	27.50	28.60	32.40
FPC-0.5FX-28PH20	28	13.50	14.60	18.40	FPC-0.5FX-57PH20	57	28.00	29.10	32.90
FPC-0.5FX-29PH20	29	14.00	15.10	18.90	FPC-0.5FX-58PH20	58	28.50	29.60	33.40
FPC-0.5FX-30PH20	30	14.50	15.60	19.40	FPC-0.5FX-59PH20	59	29.00	30.10	33.90
FPC-0.5FX-31PH20	31	15.00	16.10	19.90	FPC-0.5FX-60PH20	60	29.50	30.60	34.40
FPC-0.5FX-32PH20	32	15.50	16.60	20.40	FPC-0.5FX-61PH20	61	30.00	31.10	34.90



- 技术指标 (Technical Index):
1. 塑件表面应光洁、无毛边、无明显收缩、缺陷、裂纹等现象。
(The surface of the plastic parts should be smooth, no rough edges, no obvious shrinkage, defects, cracks and other phenomena.)
 2. 温度范围 (Temperature range): $-25^{\circ}\text{C} \sim +85^{\circ}\text{C}$.
 3. 额定电流 (Rated current): 0.5A
 4. 额定电压 (Rated voltage): 50V, AC/DC (=等效).
 5. 耐电压 (Withstand Voltage): 500V, AC/minute.
 6. 接触电阻 (Contact resistance): $\leq 50\text{m}\Omega$.
 7. 绝缘电阻 (Insulation resistance): $\geq 500\text{M}\Omega$.

NO.	Name	Number	Qty	Materil	Remarks
①	Soldering lug	1	1	Phosphor Bronze	Plating Sn
②	Cover	1	1	LCP	Black
③	Terminal	1	1	Phosphor Bronze	Plating Sn
④	Housing	1	1	LCP	Off White

YUANDI® Yuandi Electronics Co, Ltd

design	date	name	model
Review	date	FPC CONNECTOR	FPC-0.5FX-□□PH20
Approved	date		

0.5型下端子 (H2.0) 前翻盖 0.5 type front flip cover lower terminal (H2.0)

angle	$\pm 2'$
10~30	± 0.30
5~10	± 0.20
~ 5	± 0.10

modify	Review	Approved	Tolerance not specified	Proportion	1:1	unit	mm	gape number	A4
--------	--------	----------	-------------------------	------------	-----	------	----	-------------	----

X-ON Electronics

Largest Supplier of Electrical and Electronic Components

Click to view similar products for [FFC & FPC Connectors](#) category:

Click to view products by [Yuandi](#) manufacturer:

Other Similar products are found below :

[00-6200-227-022-800](#) [006205250500825+](#) [006205280500825+](#) [FPH-1602G](#) [086222026001800](#) [52610-0675](#) [62674-201121DLF](#) [52746-1671-TR250](#) [10051922-1610EHLF](#) [10051922-2810EHLF](#) [686322124422](#) [XF3M-2915-1B-R100](#) [AYF353125A](#) [AYF530665TA](#) [AYF534065TA](#) [20FLH-RSM1-TB](#) [207356-1](#) [SFW12R-5STE9LF](#) [SFW18R-1STAE9LF](#) [SFW4R-5STE9LF](#) [52807-0430](#) [046283021002868+](#) [FFC05011-10SBB114W5M](#) [502250-8027](#) [67000-008LF](#) [200528-0260](#) [FH28K-10S-0.5SH](#) [FH52K-6S-0.5SH](#) [0.5K-DX-30PWB](#) [DS1020-08-10VBT12](#) [THD0515-34CL-GF](#) [X05A10L28G](#) [ECC2841061EU](#) [1.0K-DHQX-16PWB](#) [1.0K-DHQX-30PWB](#) [1775333-6](#) [10054365-202110ELF](#) [10054365-242110ELF](#) [10054365-282110ELF](#) [10064555-392220HLF](#) [59453-041110EBHLF](#) [59453-091110EDHLF](#) [62674-241141ALF](#) [62684-432100ALF](#) [62684-451100AHLF](#) [62684-5721N0ALF](#) [HFW11R-1STE1MTLF](#) [HFW12R-1STE9LF](#) [HFW14R-1STE9MTLF](#) [HFW18S-2STE9LF](#)