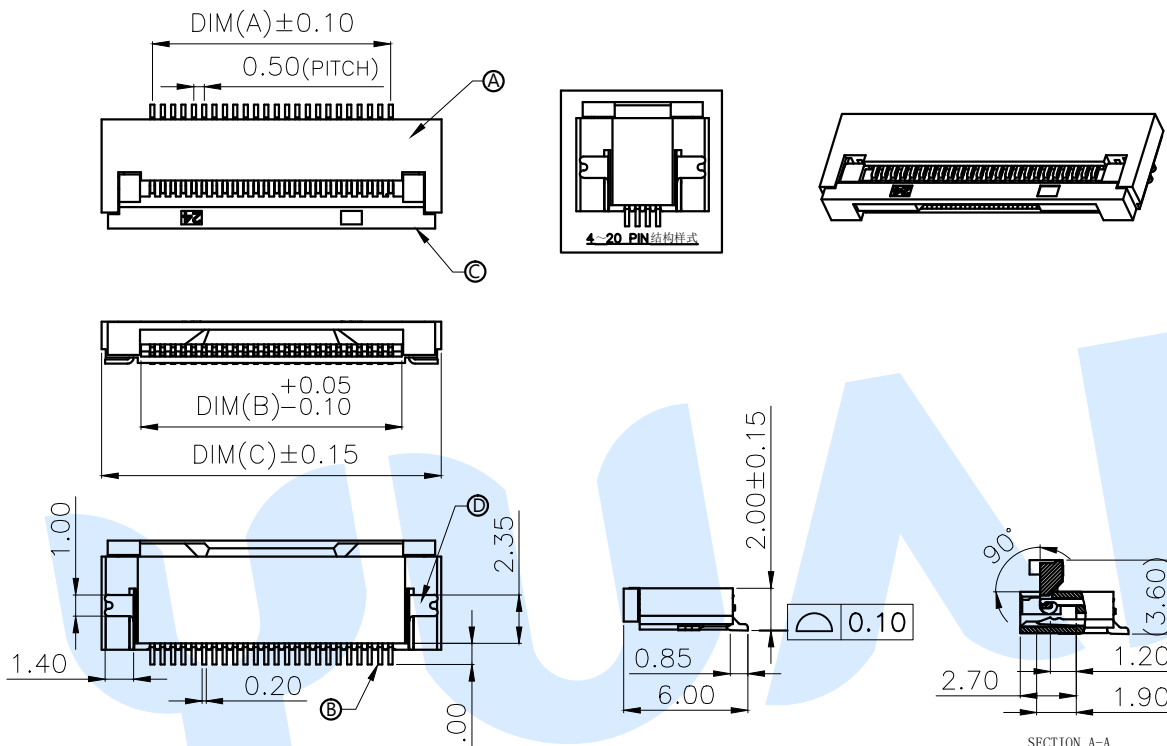
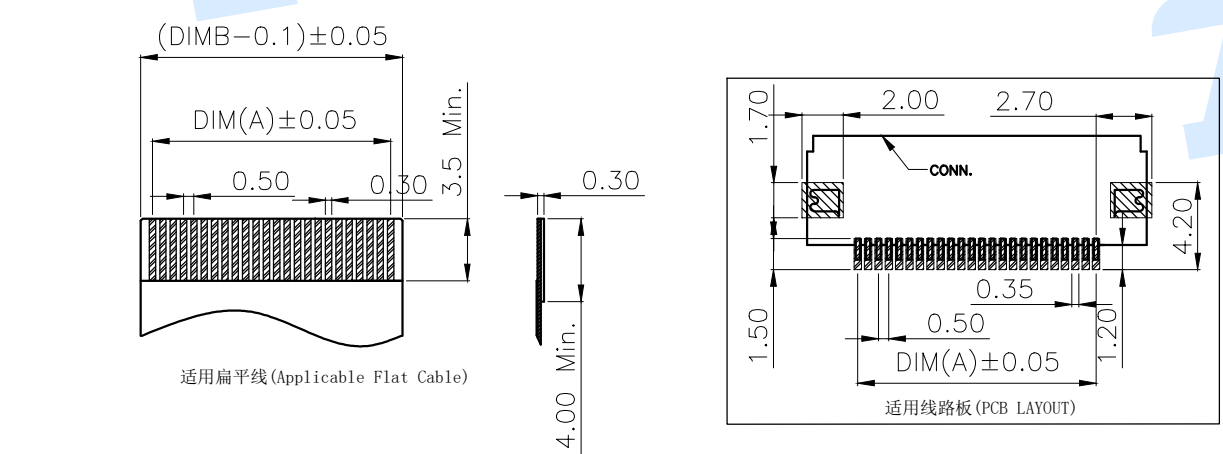


RoHS



| Model No. | Pin | DIM A | DIM B | DIM C | Model No. | Pin | DIM A | DIM B | DIM C |
|------------------|-----|-------|-------|-------|------------------|-----|-------|-------|-------|
| FPC-0.5FX-04PH20 | 4 | 1.50 | 2.60 | 6.40 | FPC-0.5FX-33PH20 | 33 | 16.00 | 17.10 | 20.90 |
| FPC-0.5FX-05PH20 | 5 | 2.00 | 3.10 | 6.90 | FPC-0.5FX-34PH20 | 34 | 16.50 | 17.60 | 21.40 |
| FPC-0.5FX-06PH20 | 6 | 2.50 | 3.60 | 7.40 | FPC-0.5FX-35PH20 | 35 | 17.00 | 18.10 | 21.90 |
| FPC-0.5FX-07PH20 | 7 | 3.00 | 4.10 | 7.90 | FPC-0.5FX-36PH20 | 36 | 17.50 | 18.60 | 22.40 |
| FPC-0.5FX-08PH20 | 8 | 3.50 | 4.60 | 8.40 | FPC-0.5FX-37PH20 | 37 | 18.00 | 19.10 | 22.90 |
| FPC-0.5FX-09PH20 | 9 | 4.00 | 5.10 | 8.90 | FPC-0.5FX-38PH20 | 38 | 18.50 | 19.60 | 23.40 |
| FPC-0.5FX-10PH20 | 10 | 4.50 | 5.60 | 9.40 | FPC-0.5FX-39PH20 | 39 | 19.00 | 20.10 | 23.90 |
| FPC-0.5FX-11PH20 | 11 | 5.00 | 6.10 | 9.90 | FPC-0.5FX-40PH20 | 40 | 19.50 | 20.60 | 24.40 |
| FPC-0.5FX-12PH20 | 12 | 5.50 | 6.60 | 10.40 | FPC-0.5FX-41PH20 | 41 | 20.00 | 21.10 | 24.90 |
| FPC-0.5FX-13PH20 | 13 | 6.00 | 7.10 | 10.90 | FPC-0.5FX-42PH20 | 42 | 20.50 | 21.60 | 25.40 |
| FPC-0.5FX-14PH20 | 14 | 6.50 | 7.60 | 11.40 | FPC-0.5FX-43PH20 | 43 | 21.00 | 22.10 | 25.90 |
| FPC-0.5FX-15PH20 | 15 | 7.00 | 8.10 | 11.90 | FPC-0.5FX-44PH20 | 44 | 21.50 | 22.60 | 26.40 |
| FPC-0.5FX-16PH20 | 16 | 7.50 | 8.60 | 12.40 | FPC-0.5FX-45PH20 | 45 | 22.00 | 23.10 | 26.90 |
| FPC-0.5FX-17PH20 | 17 | 8.00 | 9.10 | 12.90 | FPC-0.5FX-46PH20 | 46 | 22.50 | 23.60 | 27.40 |
| FPC-0.5FX-18PH20 | 18 | 8.50 | 9.60 | 13.40 | FPC-0.5FX-47PH20 | 47 | 23.00 | 24.10 | 27.90 |
| FPC-0.5FX-19PH20 | 19 | 9.00 | 10.10 | 13.90 | FPC-0.5FX-48PH20 | 48 | 23.50 | 24.60 | 28.40 |
| FPC-0.5FX-20PH20 | 20 | 9.50 | 10.60 | 14.40 | FPC-0.5FX-49PH20 | 49 | 24.00 | 25.10 | 28.90 |
| FPC-0.5FX-21PH20 | 21 | 10.00 | 11.10 | 14.90 | FPC-0.5FX-50PH20 | 50 | 24.50 | 25.60 | 29.40 |
| FPC-0.5FX-22PH20 | 22 | 10.50 | 11.60 | 15.40 | FPC-0.5FX-51PH20 | 51 | 25.00 | 26.10 | 29.90 |
| FPC-0.5FX-23PH20 | 23 | 11.00 | 12.10 | 15.90 | FPC-0.5FX-52PH20 | 52 | 25.50 | 26.60 | 30.40 |
| FPC-0.5FX-24PH20 | 24 | 11.50 | 12.60 | 16.40 | FPC-0.5FX-53PH20 | 53 | 26.00 | 27.10 | 30.90 |
| FPC-0.5FX-25PH20 | 25 | 12.00 | 13.10 | 16.90 | FPC-0.5FX-54PH20 | 54 | 26.50 | 27.60 | 31.40 |
| FPC-0.5FX-26PH20 | 26 | 12.50 | 13.60 | 17.40 | FPC-0.5FX-55PH20 | 55 | 27.00 | 28.10 | 31.90 |
| FPC-0.5FX-27PH20 | 27 | 13.00 | 14.10 | 17.90 | FPC-0.5FX-56PH20 | 56 | 27.50 | 28.60 | 32.40 |
| FPC-0.5FX-28PH20 | 28 | 13.50 | 14.60 | 18.40 | FPC-0.5FX-57PH20 | 57 | 28.00 | 29.10 | 32.90 |
| FPC-0.5FX-29PH20 | 29 | 14.00 | 15.10 | 18.90 | FPC-0.5FX-58PH20 | 58 | 28.50 | 29.60 | 33.40 |
| FPC-0.5FX-30PH20 | 30 | 14.50 | 15.60 | 19.40 | FPC-0.5FX-59PH20 | 59 | 29.00 | 30.10 | 33.90 |
| FPC-0.5FX-31PH20 | 31 | 15.00 | 16.10 | 19.90 | FPC-0.5FX-60PH20 | 60 | 29.50 | 30.60 | 34.40 |
| FPC-0.5FX-32PH20 | 32 | 15.50 | 16.60 | 20.40 | FPC-0.5FX-61PH20 | 61 | 30.00 | 31.10 | 34.90 |



- 技术指标 (Technical Index):
1. 塑件表面应光洁、无毛边、无明显收缩、缺陷、裂纹等现象。
(The surface of the plastic parts should be smooth, no rough edges, no obvious shrinkage, defects, cracks and other phenomena.)
 2. 温度范围 (Temperature range): $-25^{\circ}\text{C} \sim +85^{\circ}\text{C}$.
 3. 额定电流 (Rated current): 0.5A
 4. 额定电压 (Rated voltage): 50V, AC/DC (=等效).
 5. 耐电压 (Withstand Voltage): 500V, AC/minute.
 6. 接触电阻 (Contact resistance): $\leq 50\text{m}\Omega$.
 7. 绝缘电阻 (Insulation resistance): $\geq 500\text{M}\Omega$.

| Ⓓ | Soldering lug | | 1 | Phosphor Bronze | Plating Sn |
|-----|---------------|--------|-----|-----------------|------------|
| Ⓒ | Cover | | 1 | LCP | Black |
| Ⓑ | Terminal | | | Phosphor Bronze | Plating Sn |
| Ⓐ | Housing | | 1 | LCP | Off White |
| NO. | Name | Number | Qty | Materil | Remarks |

YUANDI® Yuandi Electronics Co, Ltd

| | | | |
|----------|------|-------|------------------|
| design | date | name | FPC CONNECTOR |
| Review | date | model | FPC-0.5FX-□□PH20 |
| Approved | date | | |

0.5型下端子 (H2.0) 前翻盖0.5 type front flip cover lower terminal (H2.0)

X-ON Electronics

Largest Supplier of Electrical and Electronic Components

Click to view similar products for [FFC & FPC Connectors](#) category:

Click to view products by [Yuandi](#) manufacturer:

Other Similar products are found below :

[00-6200-227-022-800](#) [006205250500825+](#) [006205280500825+](#) [FPH-1602G](#) [086222026001800](#) [52610-0675](#) [62674-201121DLF](#) [52746-1671-TR250](#) [10051922-1610EHLF](#) [10051922-2810EHLF](#) [686322124422](#) [XF3M-2915-1B-R100](#) [AYF353125A](#) [AYF530665TA](#) [AYF534065TA](#) [20FLH-RSM1-TB](#) [207356-1](#) [SFW12R-5STE9LF](#) [SFW18R-1STAE9LF](#) [SFW4R-5STE9LF](#) [52807-0430](#) [046283021002868+](#) [FFC05011-10SBB114W5M](#) [502250-8027](#) [67000-008LF](#) [200528-0260](#) [FH28K-10S-0.5SH](#) [FH52K-6S-0.5SH](#) [0.5K-DX-30PWB](#) [DS1020-08-10VBT12](#) [THD0515-34CL-GF](#) [X05A10L28G](#) [ECC2841061EU](#) [1.0K-DHQX-16PWB](#) [1.0K-DHQX-30PWB](#) [1775333-6](#) [10054365-202110ELF](#) [10054365-242110ELF](#) [10054365-282110ELF](#) [10064555-392220HLF](#) [59453-041110EBHLF](#) [59453-091110EDHLF](#) [62674-241141ALF](#) [62684-432100ALF](#) [62684-451100AHLF](#) [62684-5721N0ALF](#) [HFW11R-1STE1MTLF](#) [HFW12R-1STE9LF](#) [HFW14R-1STE9MTLF](#) [HFW18S-2STE9LF](#)