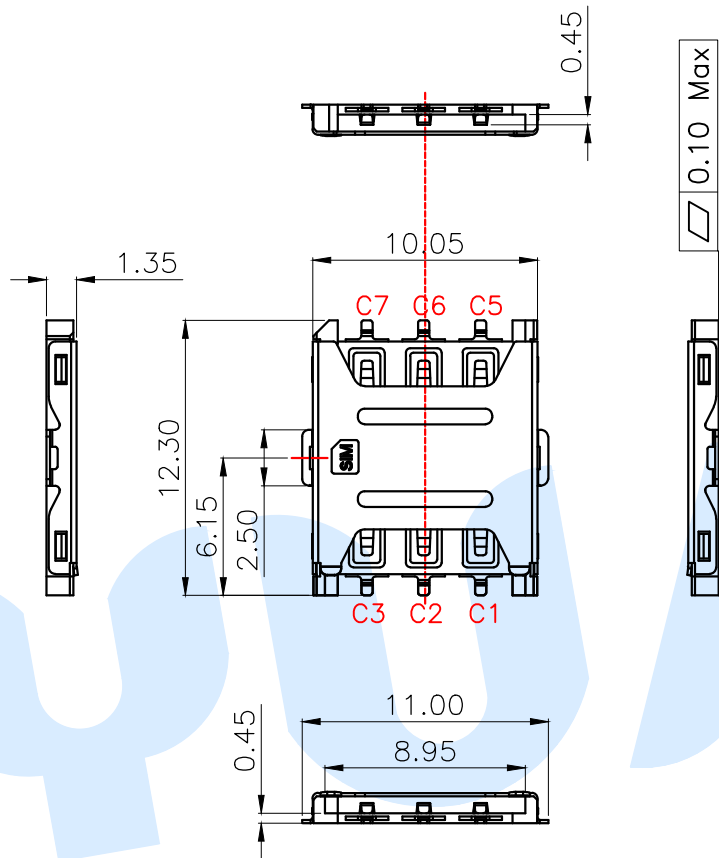
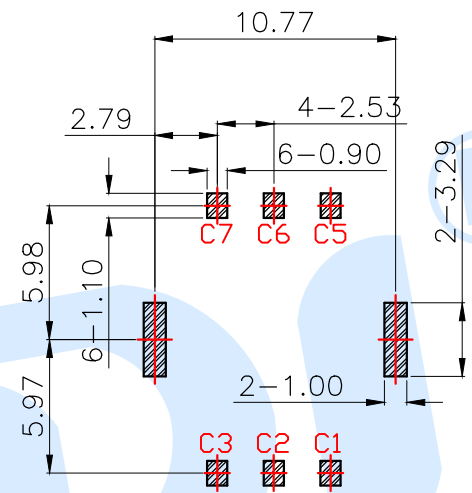
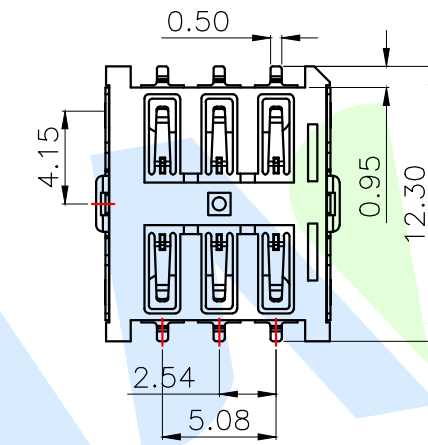


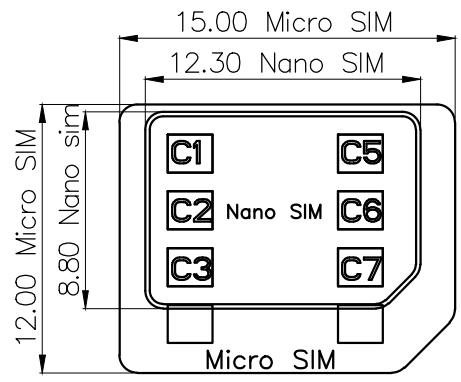
RoHS



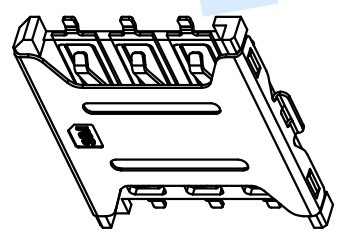
0.10 Max



RECOMMENDED PCB LAYOUT
GENERAY TOLERANCE ±0.05



SIM pin assignment	
PIN#	Name
C1	VCC供电电压
C2	RST重置
C3	CLK时钟
C5	GND接地
C6	VPP程序电压
C7	I/O输入输出



Specifications/技术规格:

- 1.Current rating/额定电流: 0.5A
- 2.Voltage rating/额定电压: 125V AC/DC
- 3.Insulation Resistance/绝缘电阻: 100MΩ Min
- 4.Dielectric Withstanding/ 耐电压: 500V AC/minute
- 5.Contact Resistance/ 接触电阻: 100mΩ Max
- 6.Durability/ 耐久性: 5,000 Insertions
- 7.Operating Temperature/ 工作温度: -40°C to +85°C

NO.	Name	Number	Qty	Materil	Remarks
①	Terminal	6		Phosphor bronze	Au plated
②	Contact	6		Phosphor bronze	Au plated
③	Cover	1		SUS	Ni Plating
④	Base	1		LCP	Black

YUANDI® Yuandi Electronics Co, Ltd

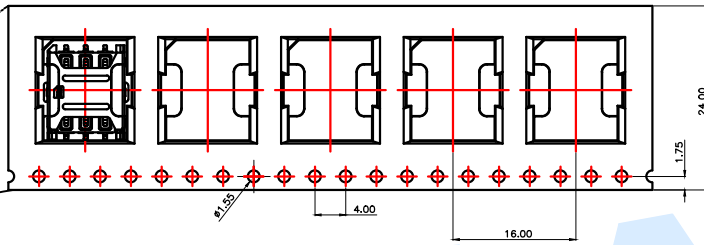
design	date	name	NANO SIM CARD CONNECTOR
Review	date	model	NANO-SIM-501A
Approved	date		

Drawing number: Proportion 1:1 unit mm gage number A4

modify Review Approved Tolerance not specified

RoHS

User Direction of Unreeling
User Direction of Unreeling

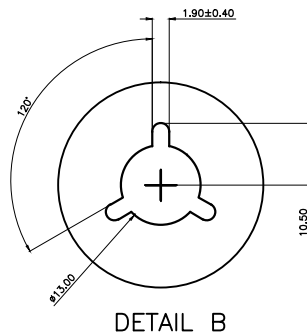
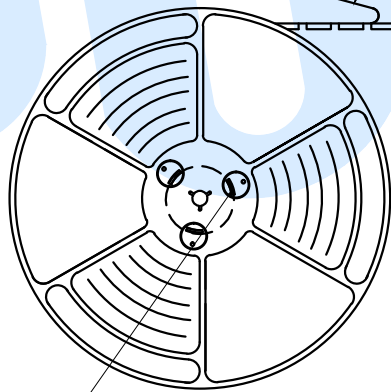


COVER TAPE PEELING ANGLE:165°~180°
PEELING FORCE:20~130g

CARRIER TAPE

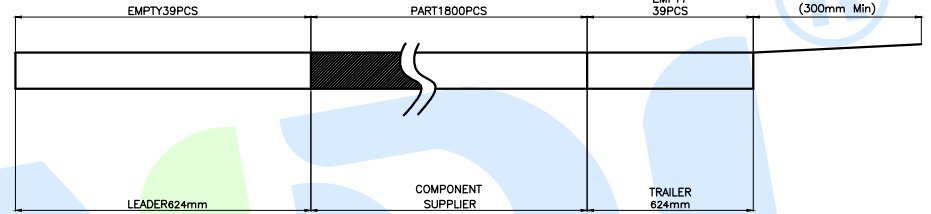
User Direction of Unreeling

DETAIL B

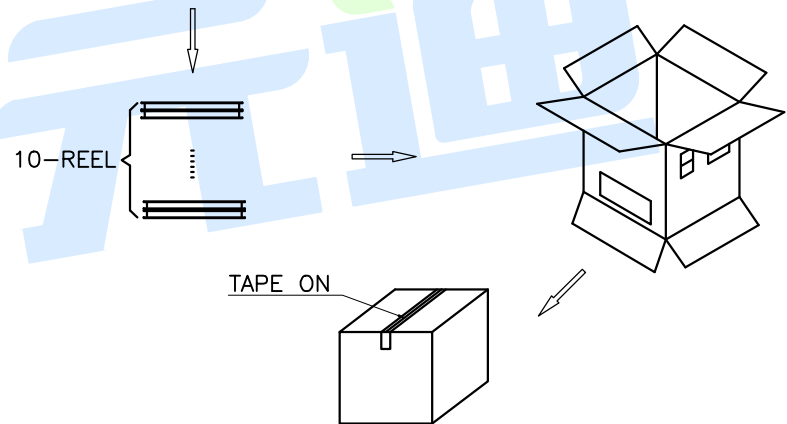


NOTES

1. NUMBER OF CONNECTORS:1800PCS/REEL
2. LEAD TAPE LENGTH



3. QUANTITY:18000PCS/CARTON



YUANDI® Yuandi Electronics Co, Ltd

design	date	name	NANO SIM CARD CONNECTOR
Review	date	model	NANO-SIM-501A
Approved	date		

Drawing number: modify Review Approved Tolerance not specified Proportion 1:1 unit mm gage number A4

X-ON Electronics

Largest Supplier of Electrical and Electronic Components

Click to view similar products for [Memory Card Connectors](#) category:

Click to view products by [Yuandi](#) manufacturer:

Other Similar products are found below :

[6407-249V-25273P](#) [6407-249V-25343P](#) [6426-201-21343](#) [69.920.0553.0](#) [MCR60A-98D-2.54DSA\(70\)](#) [809180410000000](#) [DM3AT-SF-PEJM5\(41\)](#) [IC11S-BUR-PNEJL\(71\)](#) [C70210M0083692](#) [252-0144-000](#) [2041353-2](#) [308-DS1P0811-192](#) [HM2P09PDR360N9LF](#) [10014744-011TLF](#) [11327-001](#) [11327-002](#) [NX1-32T-KT3K\(05\)](#) [95622-003LF](#) [84648-056HLF](#) [CCM03-3109 B LFT](#) [MS3116J10-6PW](#) [2309923-1](#) [61126-050CAHLF](#) [GTFP08432B1HR](#) [G85D1160022HHR](#) [SCE2MSDB76A121SN](#) [SCE2MSDZN76A121SN](#) [10014744-011ALF](#) [10014744-011LF](#) [10057542-1211FLF](#) [10067972-000LF](#) [10067972-050LF](#) [10122302-20110LF](#) [G85D1162022HHR](#) [TF-05A](#) [M6014-12](#) [XKNANO-1412](#) [SMN-304-ARP6](#) [MIS11-S1F1-2000-A](#) [SMN-308-ARSP7](#) [SMN-308-ACSP7](#) [K-DYX-008](#) [K-DYX-004](#) [HYCW126-TF18-150B](#) [C7024-03](#) [SMO-1030](#) [MCS-110-KT](#) [SIM-217](#) [SNO-1355-KT](#) [SMO-1025-P10](#)