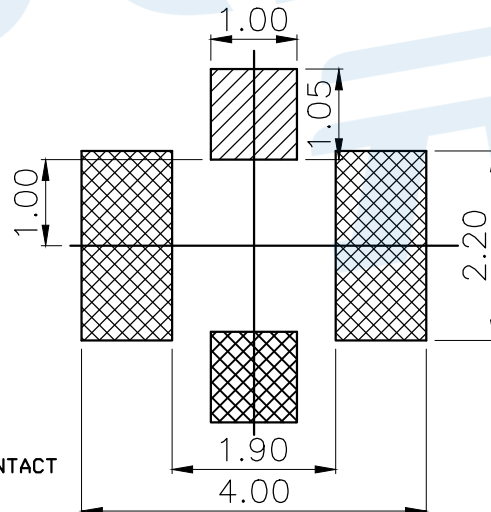
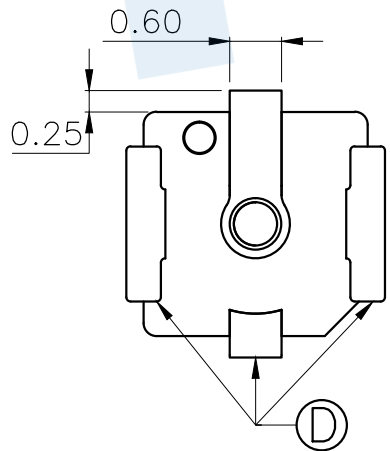
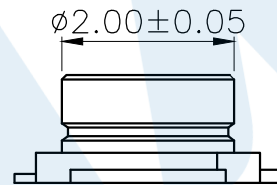
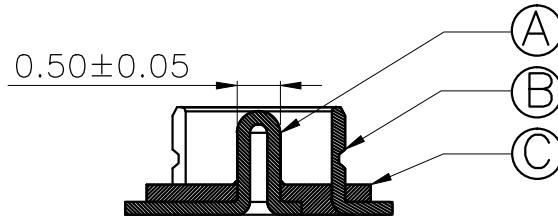
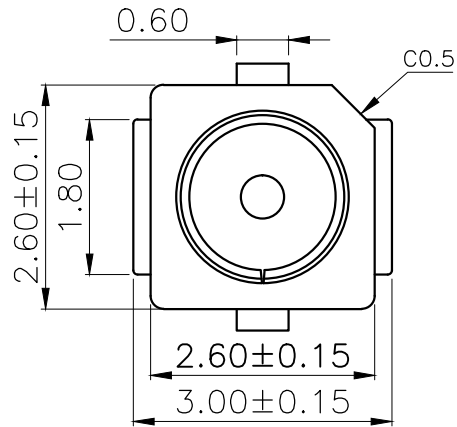


RoHS



CONTACT
GROUND CONTACT

PCB Layout(Pattern side)

NOTES :

- 1.0. RATING :
 - 1.1. VOITAGE :60 VAC (R.M.S.)
 - 1.2. NOMINAL CHARACTERISTIC IMPEDANCE: 50 Ohm
 - 1.3. APPLICABLE FREQUENCY: DC ~ 6GHz
 - 1.4. VSWR: 1.3 MAX. (DC~3GHz), 1.5 MAX. (3~6GHz)
 - 1.5. TEMPERATURE : -40°C TO +85°C
 - 1.6. APPLIED TO IR SOLDERING PROCESS

Ⓓ	Ground contact		3	Phosphor Bronze	Au plating
Ⓒ	Base		1	LCP	White
Ⓑ	Housing contact		1	Phosphor Bronze	Au plating
Ⓐ	Contact		1	Phosphor Bronze	Au plating
NO.	Name	Number	Qty	Materil	Remarks

YUANDI® Yuandi Electronics Co, Ltd

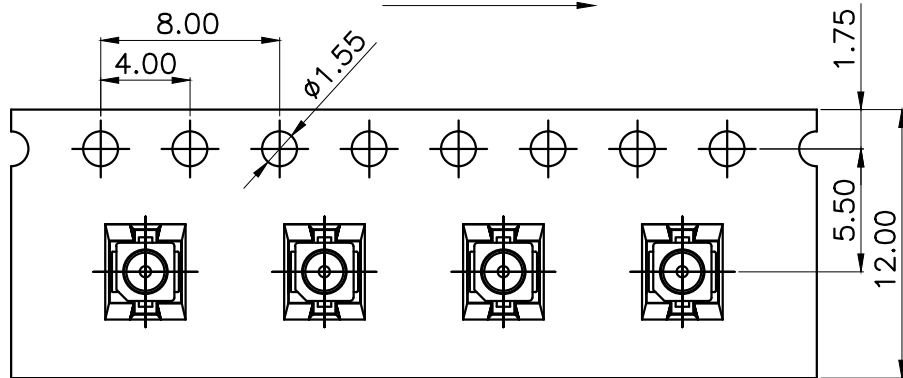
design	date	name	ANTENNA BASE
Review	date	model	RF-002
Approved	date		

Drawing number: Proportion 1:1 unit mm gage number A4

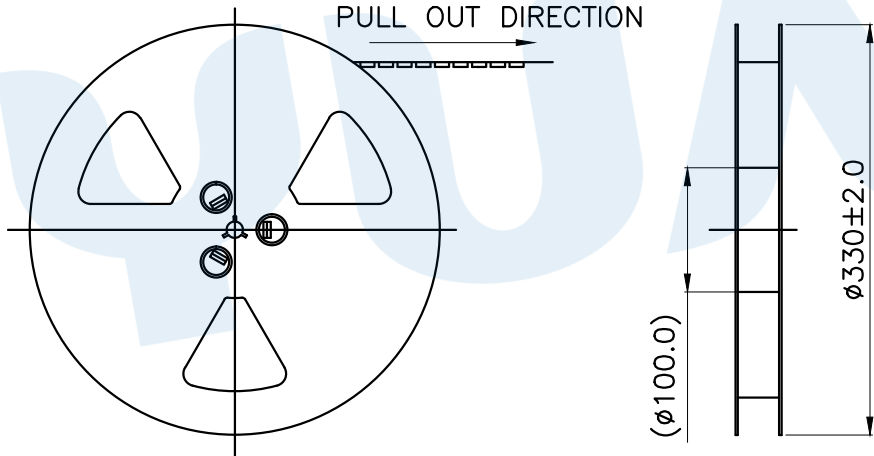
modify Review Approved Tolerance not specified

RoHS

PULL OUT DIRECTION

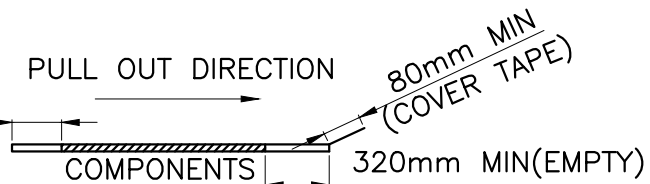


PULL OUT DIRECTION

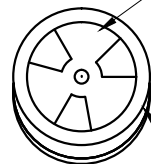


320mm MIN (EMPTY)

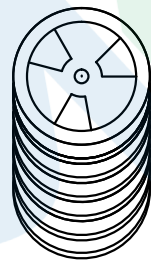
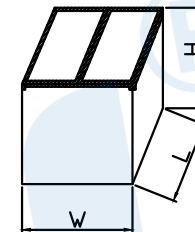
PULL OUT DIRECTION



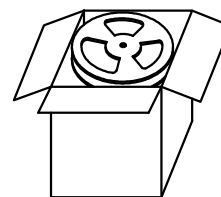
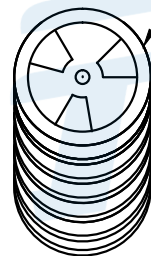
△ ID LABEL



5,000PCS/REEL



10REELS/CARTON



NOTES:

1. MATERIAL :
 - 1.1 EMBOSSED CARRIER: PET
 - 1.2 COVER TAPE: PET
 - 1.3 SHIPPING CARTON: CORRUGATED FIBER
2. DIMENSION :
 - 2.1 REEL: W=12.5
 - 2.2 SHIPPING CARTON: L*, W*, H*
3. QUANTITY :
 - 3.1 PRIMARY PACKING: 5,000PCS/REEL
 - 3.2 SECONDARY PACKING: 10REELS/CARTON(50,000PCS)

YUANDI® Yuandi Electronics Co, Ltd

design	date	name	ANTENNA BASE
Review	date	model	RF-002
Approved	date		

angle	±2'	design number	
10~30	±0.30	Drawing number:	
5~10	±0.20	Proportion	1:1
~ 5	±0.10	unit	mm
modify	Review	Approved	Tolerance not specified
			gape number

X-ON Electronics

Largest Supplier of Electrical and Electronic Components

Click to view similar products for [RF Connectors / Coaxial Connectors](#) category:

Click to view products by [Yuandi](#) manufacturer:

Other Similar products are found below :

[8915-1511-000](#) [89674-0827](#) [6001-7071-019](#) [6002-7051-003](#) [6059674-1](#) [619550-1](#) [630059-000](#) [M39012/25-3026](#) [M39030/3-01N](#) [6501-1071-002](#) [6769](#) [7002-1541-010](#) [7002-1572-002](#) [7003-1542-011](#) [7004-1512-000](#) [7009-1511-004](#) [7029-1511-060](#) [7101-1541-010](#) [7101-1571-002](#) [7105-1521-002](#) [7203-1571-003](#) [7209-1511-011](#) [7210-1511-015](#) [7210-1511-040](#) [7242-1511-000](#) [73216-2241](#) [73404-2300](#) [7405-1521-005](#) [7405-1521-802](#) [7406-1521-005](#) [8527](#) [8547](#) [FS11V](#) [877931](#) [8808-1511-001](#) [9049-9513-000](#) [9074-9513-000](#) [910A205F](#) [PL40-36](#) [PL40-5](#) [PL71-9](#) [980-8666-005](#) [1200690078](#) [1-201144-1](#) [120919](#) [R107003010W](#) [R110A172100](#) [R112186000](#) [R113053000W](#) [R113081000](#)