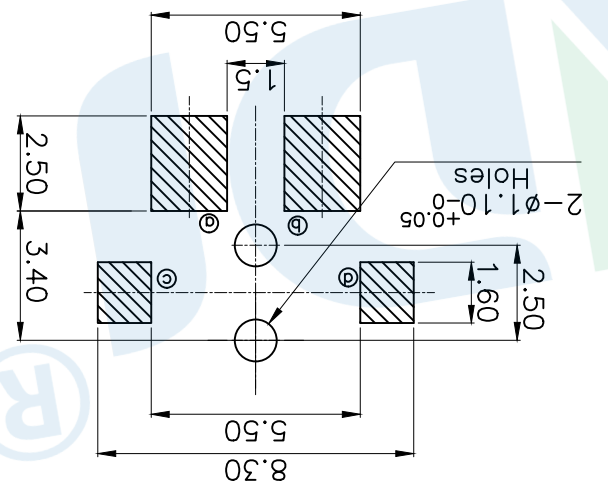


PCB Layout(Pattern side)



Technical Parameters
 1. Rated current: DC 30V 0.1A
 2. Operating force: 30±10gf
 3. Mechanical life: 50,000 times

| NO. | Name | Number | Qty | Material | Remarks |
|-----|----------------|--------|-----|-----------------|-----------|
| Ⓐ | Base | 1 | 1 | LCP | Black |
| Ⓑ | Cover | 1 | 1 | SUS | Natural |
| Ⓒ | Button | 1 | 1 | PA46 | Black |
| Ⓓ | Contact Spring | 1 | 1 | Phosphor bronze | Silvering |
| Ⓔ | Terminal | 2 | 2 | Brass | Silvering |

| design | Review | Approved | tolerance not specified | Drawing number: | name | model | name |
|----------------|----------------|----------------|-------------------------|-----------------|------------------|---------|------------------|
| date | date | date | angle | Approved | DETECTION SWITCH | TQ-2513 | DETECTION SWITCH |
| ±0.30 | ±0.30 | ±0.20 | 10~30 | ~5 | | | |
| 5~10 | 5~10 | 5~10 | 5~10 | ±0.10 | | | |
| ~5 | ~5 | ~5 | ~5 | ±0.10 | | | |
| Proportion 1:1 | Proportion 1:1 | Proportion 1:1 | Proportion 1:1 | Proportion 1:1 | | | |
| unit | unit | unit | unit | unit | | | |
| mm | mm | mm | mm | mm | | | |
| gape number | gape number | gape number | gape number | gape number | | | |
| 12 | 12 | 12 | 12 | 12 | | | |
| 13 | 13 | 13 | 13 | 13 | | | |
| 14 | 14 | 14 | 14 | 14 | | | |
| 15 | 15 | 15 | 15 | 15 | | | |

YUANDI® Yuandi Electronics Co, Ltd

X-ON Electronics

Largest Supplier of Electrical and Electronic Components

Click to view similar products for [Basic / Snap Action Switches](#) category:

Click to view products by [Yuandi](#) manufacturer:

Other Similar products are found below :

[83228001](#) [01.098.1358.1](#) [602EN1-6B](#) [602EN532](#) [602EN535-RB](#) [602HE5-RB1](#) [604HE162](#) [604HE223-6B](#) [624HE17-RB](#) [6HM89](#) [6PA78-JM](#)
[6SE1](#) [6SX1-H58](#) [70500840](#) [MBD5B1](#) [MBH2731](#) [73-316-0012](#) [79211759](#) [79211923](#) [79218589](#) [7AS12](#) [ML-1155](#) [ML-1376](#) [831010C3.0](#)
[831060C3.TL](#) [831090C2.EL](#) [83131904](#) [84212012](#) [8AS239](#) [8HM73-3](#) [903VB1-PG](#) [914CE1-6G](#) [PL-100](#) [11SM1077-H4](#) [11SM1077-H58](#)
[11SM1-TN107](#) [11SM405](#) [11SM703-T](#) [11SM8423-H2](#) [11SX37-T](#) [11SX48-H58](#) [11SX55-H58](#) [11SM2442-T](#) [11SM76-T](#) [11SM77-H58](#)
[11SM77-T](#) [11SM863-T](#) [11SM866](#) [11SX47-H58](#) [A7CN-1M-1-LEFT](#)