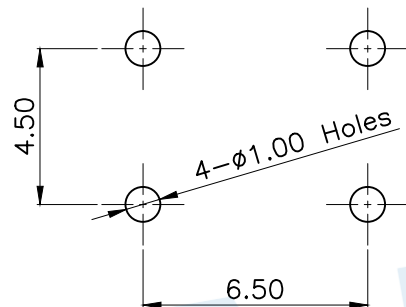
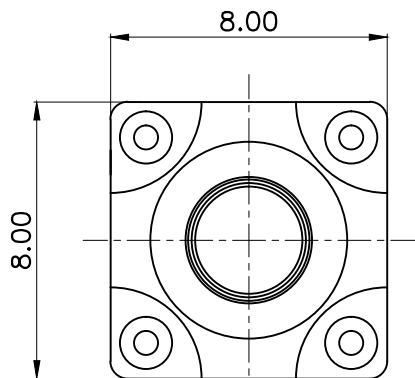
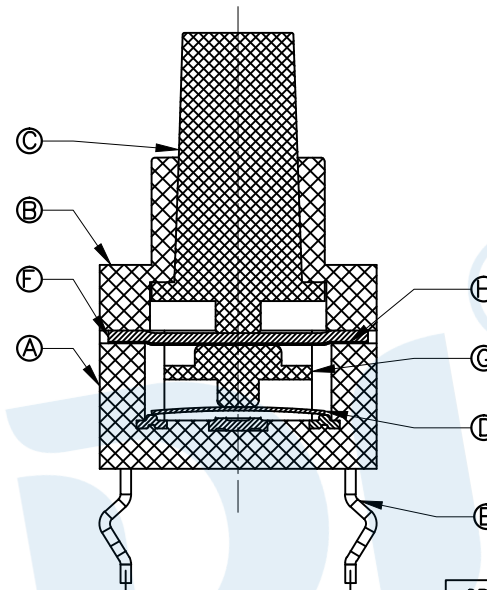


RoHS



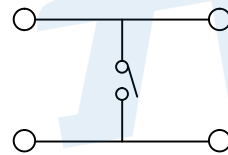
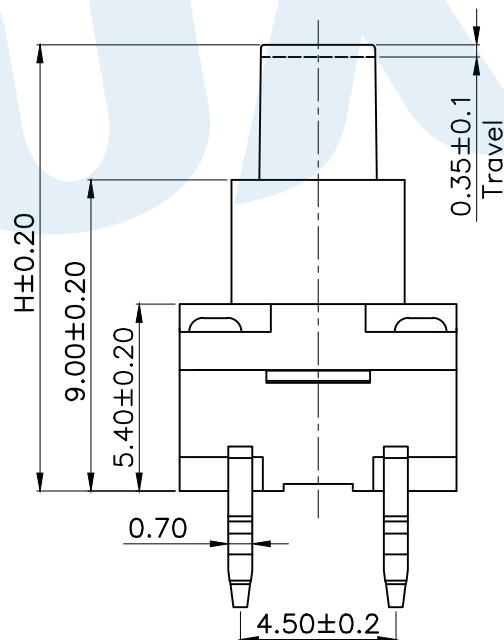
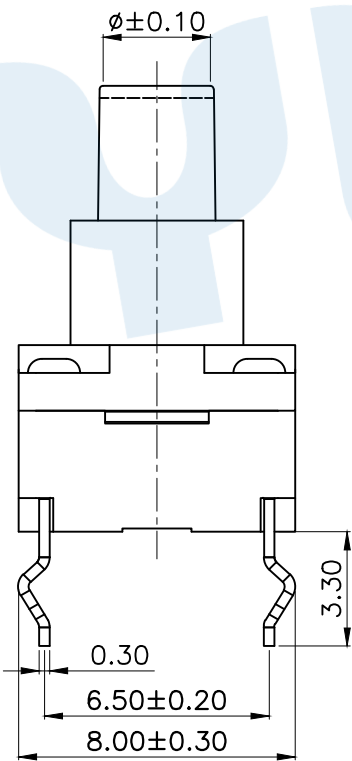
PCB Layout(Pattern side)



| OPERATING FORCE |          |
|-----------------|----------|
| CODE            | VIGOR    |
| B2              | 180±50gf |
| B3              | 250±50gf |
| B4              | 300±50gf |
| B5              | 350±50gf |

| SHRAPNEL |              |  |
|----------|--------------|--|
| CODE     | MATERIAL/QTY |  |
| D1       | C5210/1PCS   |  |
| D2       | SUS/1PCS     |  |

| TOTAL HEIGHT |      |     |      |    |     |
|--------------|------|-----|------|----|-----|
| CODE         | H    | φ   | CODE | H  | φ   |
| A15          | 12   | 3.0 | A18  | 15 | 2.9 |
| A155         | 12.5 | 3.0 | A19  | 16 | 2.9 |
| A16          | 13   | 3.0 | A20  | 17 | 2.9 |
| A165         | 13.5 | 3.0 | A21  | 18 | 2.9 |
| A17          | 14   | 3.0 | A22  | 19 | 2.9 |
| A175         | 14.5 | 3.0 | A23  | 20 | 2.9 |



Circuit Diagram

| NO. | Name           | Number | Qty | Materil        | Remarks        |
|-----|----------------|--------|-----|----------------|----------------|
| (H) | Dust Cover     | 1      |     | Polyimide tape | Yellow         |
| (G) | Gasket         | 1      |     | PPA            | Black          |
| (F) | Waterproof mat | 1      |     | Silica gel     | Black          |
| (E) | Terminal       | 4      |     | Brass(0.3t)    | Silvering      |
| (D) | Reed           | 1      |     | SUS            | Silver covered |
| (C) | Base           | 1      |     | PPA            | Black          |
| (B) | Cover          | 1      |     | PPA            | Black          |
| (A) | Button         | 1      |     | PPA            | Black          |

YUANDI® Yuandi Electronics Co, Ltd

|          |      |       |                  |
|----------|------|-------|------------------|
| design   | date | name  | TACT SWITCHS     |
| Review   | date | model | TS-1012A-A□B□-D□ |
| Approved | date |       |                  |

Drawing number: Proportion 1:1 unit mm gage number A4

modify Review Approved Tolerance not specified

|       |       |
|-------|-------|
| angle | ±2'   |
| 10~30 | ±0.30 |
| 5~10  | ±0.20 |
| ~ 5   | ±0.10 |

## X-ON Electronics

Largest Supplier of Electrical and Electronic Components

*Click to view similar products for [Tactile Switches](#) category:*

*Click to view products by [Yuandi](#) manufacturer:*

Other Similar products are found below :

[5GTH92001](#) [5GTH9202242](#) [6407-250V-25273P](#) [ADTSA62NV](#) [ADTSA62RV](#) [B3F-3123](#) [1977177-8](#) [1977266-1](#) [ADTSA63NV](#)  
[ADTSM21NSVTR](#) [ADTSM25RVTR](#) [ADTSM32NVTR](#) [ADTSMW64RV](#) [FSMRA4JHA04](#) [GS4.70F300QP](#) [KSC241J SP DELTA LFS](#)  
[3FTL600RAS](#) [3FTL640RAS](#) [Y96K132V0FPLFS](#) [5GTH9658222](#) [ADTSM31NVTR](#) [2-1977120-7](#) [TSJW-5.2-260-TR](#) [KMT011MNGJLHS](#)  
[B3WN6002S](#) [70-201.0](#) [ADTSG648NV](#) [ADTSM62KSVTR](#) [ADTSM648NV](#) [95C06E3RAT](#) [5GTH96561](#) [3ATH9Q](#) [FSMRA8JHA04](#)  
[HARS0073](#) [Y33R411N9FPLFT](#) [Y31C01402FPLFS](#) [PTS645SK50SMTR92](#) [ADTSM32NVB](#) [KMS233GPWTLFG](#) [Y78B64124FP](#)  
[Y96D113G0FP LFS](#) [Y33A812C5FP LFT](#) [Y56B2D120FP LFS](#) [PTS645 DVM83-BN125-2 LFS](#) [B3W 1000G](#) [KSC621G OL LFS](#) [B3F 1002C](#)  
[B3F 0047H](#) [B3F 1000G](#) [B3W 1002C](#)