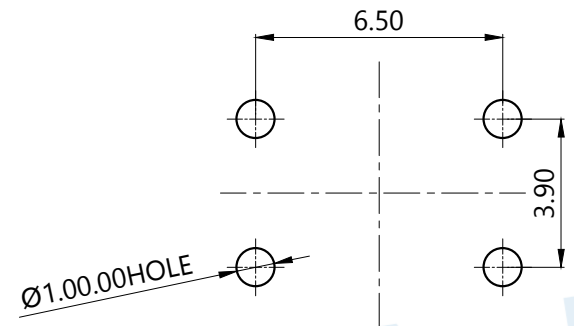
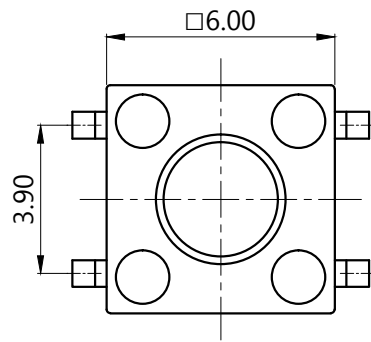
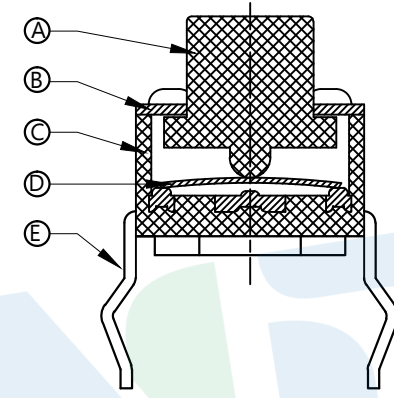


RoHS



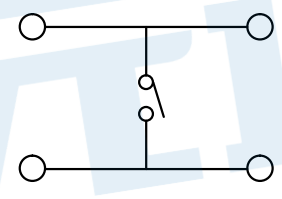
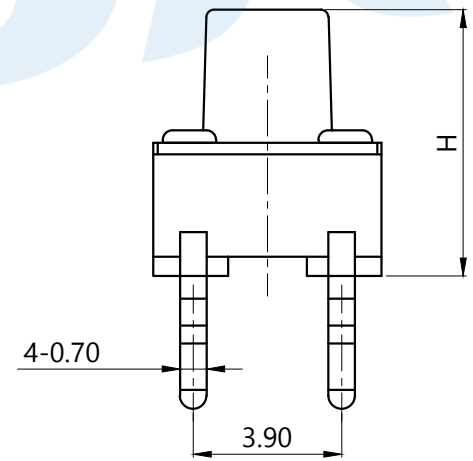
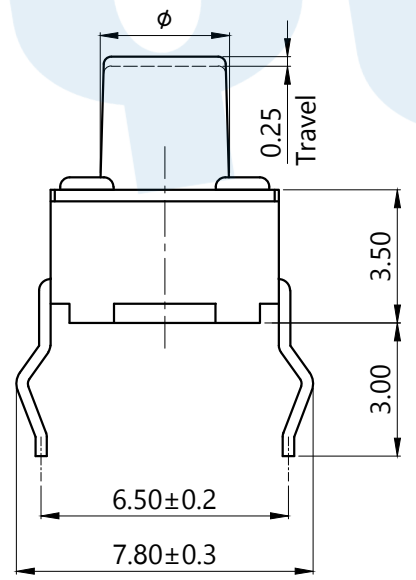
PCB Layout(Pattern side)



| SHRAPNEL |              |
|----------|--------------|
| CODE     | MATERIAL/QTY |
| D1       | C5210/1PCS   |
| D2       | SUS/1PCS     |

| OPERATING FORCE |          |
|-----------------|----------|
| CODE            | VIGOR    |
| B1              | 120±30gf |
| B2              | 180±30gf |
| B3              | 250±30gf |

| TOTAL HEIGHT |      |        |      |      |        |
|--------------|------|--------|------|------|--------|
| CODE         | H    | $\phi$ | CODE | H    | $\phi$ |
| A1           | 4.3  | 3.5    | A14  | 11   | 3.0    |
| A2           | 4.5  | 3.5    | A145 | 11.5 | 3.0    |
| A3           | 5.0  | 3.5    | A15  | 12   | 3.0    |
| A4           | 5.5  | 3.5    | A155 | 12.5 | 3.0    |
| A5           | 6.0  | 3.5    | A16  | 13   | 3.0    |
| A6           | 6.5  | 3.3    | A165 | 13.5 | 3.0    |
| A7           | 7.0  | 3.3    | A17  | 14   | 3.0    |
| A8           | 7.5  | 3.3    | A175 | 14.5 | 3.0    |
| A9           | 8.0  | 3.3    | A18  | 15   | 3.0    |
| A10          | 8.5  | 3.3    | A19  | 16   | 3.0    |
| A11          | 9.0  | 3.1    | A20  | 17   | 2.9    |
| A12          | 9.5  | 3.1    | A21  | 18   | 2.9    |
| A13          | 10   | 3.1    | A22  | 19   | 2.9    |
| A135         | 10.5 | 3.0    | A23  | 20   | 2.9    |



Circuit Diagram

| (E) | Terminal |        | 4   | Brass   | Silvering      |
|-----|----------|--------|-----|---------|----------------|
| (D) | Reed     |        | 1   | SUS     | Silver covered |
| (C) | Base     |        | 1   | PPA     | Black          |
| (B) | Cover    |        | 1   | Brass   | Nickel Plating |
| (A) | Keystoke |        | 1   | PPA     | Black          |
| NO. | Name     | Number | Qty | Materil | Remarks        |

**YUANDI®** Yuandi Electronics Co, Ltd

|  |  |  |  |  |  |        |        |          |                         |            |     |       |                   |             |    |
|--|--|--|--|--|--|--------|--------|----------|-------------------------|------------|-----|-------|-------------------|-------------|----|
|  |  |  |  |  |  | angle  | ±2'    |          | design                  | date       |     | name  | TACT SWITCHS      |             |    |
|  |  |  |  |  |  | 10~30  | ±0.30  |          | Review                  | date       |     | model | TS-1095PD-A□B□-D□ |             |    |
|  |  |  |  |  |  | 5~10   | ±0.20  |          | Approved                | date       |     |       |                   |             |    |
|  |  |  |  |  |  | ~ 5    | ±0.10  |          | Drawing number:         |            |     |       |                   |             |    |
|  |  |  |  |  |  | modify | Review | Approved | Tolerance not specified | Proportion | 1:1 | unit  | mm                | gape number | A4 |

## X-ON Electronics

Largest Supplier of Electrical and Electronic Components

*Click to view similar products for [Tactile Switches](#) category:*

*Click to view products by [Yuandi](#) manufacturer:*

Other Similar products are found below :

[5GTH92001](#) [5GTH9202242](#) [ADTSA62NV](#) [ADTSA62RV](#) [B3F-3123](#) [1977177-8](#) [1977266-1](#) [ADTSA63NV](#) [ADTSM21NSVTR](#)  
[ADTSM25RVTR](#) [ADTSM32NVTR](#) [ADTSMW64RV](#) [FSMRA4JHA04](#) [GS4.70F300QP](#) [3ESH9R](#) [KSC241J](#) [SP DELTA LFS](#) [3FTL600RAS](#)  
[3FTL640RAS](#) [Y96K132V0FPLFS](#) [5GSH92001](#) [5GTH9658222](#) [ADTSM31NVTR](#) [2-1977120-7](#) [TSJW-5.2-260-TR](#) [KMT011MNGJLHS](#)  
[ADTSG648NV](#) [ADTSM62KSVTR](#) [ADTSM648NV](#) [95C06E3RAT](#) [3ATH9Q](#) [FSM4JSMLXTR](#) [FSM4JSMXL](#) [FSMRA8JHA04](#) [HARS0073](#)  
[Y97HS12A5RAFP](#) [Y97BT23B2HAFP](#) [Y33R411N9FPLFT](#) [Y31C01402FPLFS](#) [PTS645SK50SMTR92](#) [ADTSM32NVB](#) [KMS233GPWTLFG](#)  
[Y78B42324FP](#) [Y33R21116FPLFT](#) [Y31B43131FPLFG](#) [Y78B64124FP](#) [Y71243251FP](#) [Y33R31119FPLFT](#) [Y97HS12A5TAFP](#)  
[PTS638SK25SMTR2LFS](#) [Y97LT25BADBFP](#)