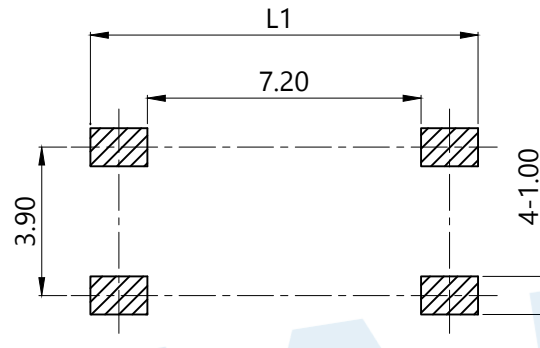
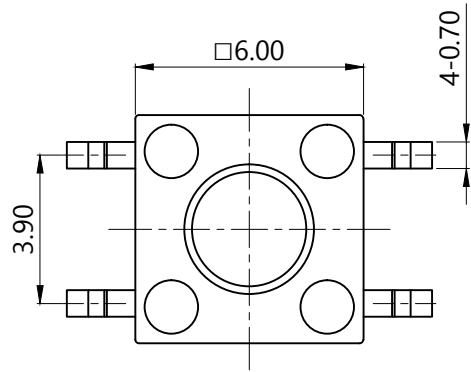
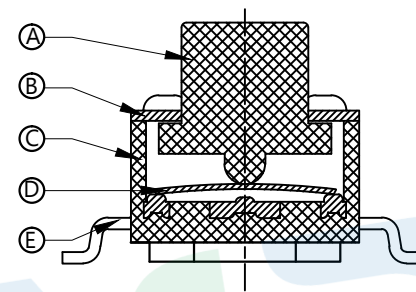


RoHS



PCB Layout(Pattern side)

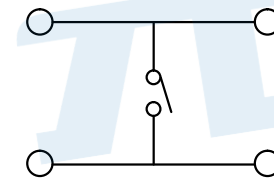
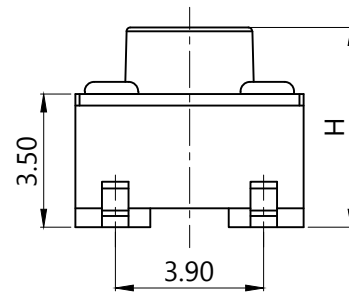
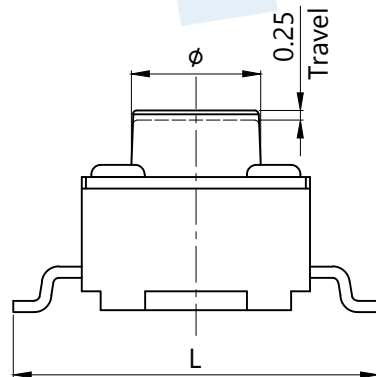


| SHRAPNEL |              |
|----------|--------------|
| CODE     | MATERIAL/QTY |
| D1       | C5210/1PCS   |
| D2       | SUS/1PCS     |

| FOOT PITCH |     |    |
|------------|-----|----|
| CODE       | L   | L1 |
| C1         | 8.0 | 10 |
| C2         | 8.5 | 11 |
| C3         | 9.0 | 11 |
| C4         | 9.5 | 12 |
| C5         | 10  | 12 |

| OPERATING FORCE |          |
|-----------------|----------|
| CODE            | VIGOR    |
| B1              | 120±30gf |
| B2              | 180±30gf |
| B3              | 250±30gf |

| TOTAL HEIGHT |      |     |      |      |     |
|--------------|------|-----|------|------|-----|
| CODE         | H    | φ   | CODE | H    | φ   |
| A1           | 4.3  | 3.5 | A14  | 11   | 3.0 |
| A2           | 4.5  | 3.5 | A145 | 11.5 | 3.0 |
| A3           | 5.0  | 3.5 | A15  | 12   | 3.0 |
| A4           | 5.5  | 3.5 | A155 | 12.5 | 3.0 |
| A5           | 6.0  | 3.5 | A16  | 13   | 3.0 |
| A6           | 6.5  | 3.3 | A165 | 13.5 | 3.0 |
| A7           | 7.0  | 3.3 | A17  | 14   | 3.0 |
| A8           | 7.5  | 3.3 | A175 | 14.5 | 3.0 |
| A9           | 8.0  | 3.3 | A18  | 15   | 3.0 |
| A10          | 8.5  | 3.3 | A19  | 16   | 3.0 |
| A11          | 9.0  | 3.1 | A20  | 17   | 2.9 |
| A12          | 9.5  | 3.1 | A21  | 18   | 2.9 |
| A13          | 10   | 3.1 | A22  | 19   | 2.9 |
| A135         | 10.5 | 3.0 | A23  | 20   | 2.9 |



Circuit Diagram

|     |          |        |     |         |                |
|-----|----------|--------|-----|---------|----------------|
| ⑤   | Terminal |        | 4   | Brass   | Silvering      |
| ④   | Reed     |        | 1   | SUS     | Silver covered |
| ③   | Base     |        | 1   | PPA     | Black          |
| ②   | Cover    |        | 1   | Brass   | Nickel Plating |
| ①   | Keystoke |        | 1   | PPA     | Black          |
| NO. | Name     | Number | Qty | Materil | Remarks        |

YUANDI® Yuandi Electronics Co, Ltd

|          |      |       |                     |
|----------|------|-------|---------------------|
| design   | date | name  | TACT SWITCHS        |
| Review   | date | model | TS-1095PS-A□B□-C□D□ |
| Approved | date |       |                     |

Drawing number: Proportion 1:1 unit mm gage number A4

|       |       |
|-------|-------|
| angle | ±2'   |
| 10~30 | ±0.30 |
| 5~10  | ±0.20 |
| ~ 5   | ±0.10 |

modify Review Approved Tolerance not specified

## X-ON Electronics

Largest Supplier of Electrical and Electronic Components

*Click to view similar products for [Tactile Switches](#) category:*

*Click to view products by [Yuandi](#) manufacturer:*

Other Similar products are found below :

[5GTH92001](#) [5GTH9202242](#) [6407-250V-25273P](#) [ADTSA62NV](#) [ADTSA62RV](#) [B3F-3123](#) [1977177-8](#) [1977266-1](#) [ADTSA63NV](#)  
[ADTSM21NSVTR](#) [ADTSM25RVTR](#) [ADTSM32NVTR](#) [ADTSMW64RV](#) [FSMRA4JHA04](#) [GS4.70F300QP](#) [KSC241J SP DELTA LFS](#)  
[3FTL600RAS](#) [3FTL640RAS](#) [Y96K132V0FPLFS](#) [5GTH9658222](#) [ADTSM31NVTR](#) [EVQ-P1D05K](#) [2-1977120-7](#) [TSJW-5.2-260-TR](#)  
[KMT011MNGJLHS](#) [ADTSG648NV](#) [ADTSM62KSVTR](#) [ADTSM648NV](#) [95C06E3RAT](#) [5GTH96561](#) [3ATH9Q](#) [FSM4JSMLXTR](#)  
[FSM4JSMXL](#) [FSMRA8JHA04](#) [HARS0073](#) [Y97HS12A5RAFP](#) [Y97BT23B2HAFP](#) [Y33R411N9FPLFT](#) [Y31C01402FPLFS](#)  
[PTS645SK50SMTR92](#) [ADTSM32NVB](#) [KMS233GPWTLFG](#) [Y78B42324FP](#) [Y33R21116FPLFT](#) [Y31B43131FPLFG](#) [Y78B64124FP](#)  
[Y71243251FP](#) [Y33R31119FPLFT](#) [Y97HS12A5TAFP](#) [PTS638SK25SMTR2LFS](#)