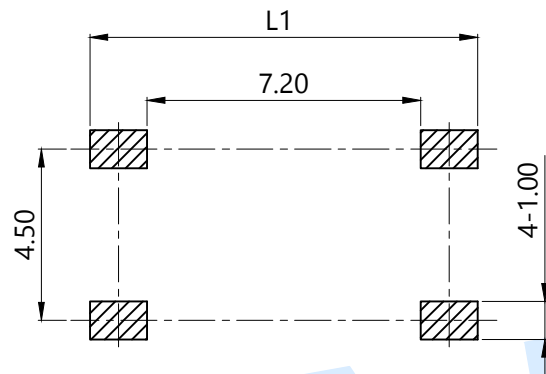
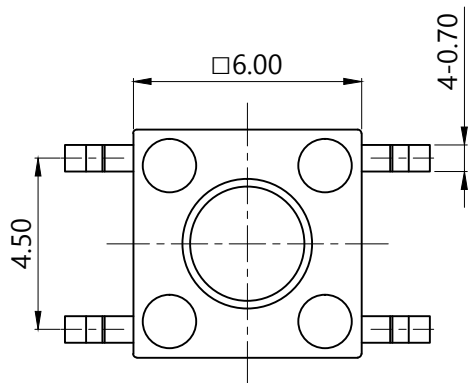
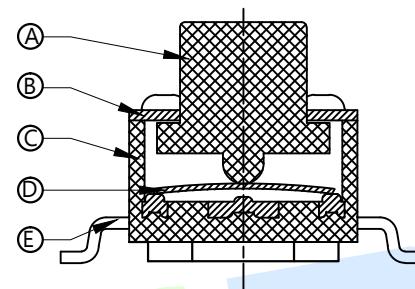


RoHS



PCB Layout(Pattern side)

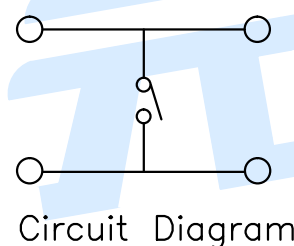


| OPERATING FORCE | |
|-----------------|----------|
| CODE | VIGOR |
| B1 | 120±30gf |
| B2 | 180±30gf |
| B3 | 250±30gf |

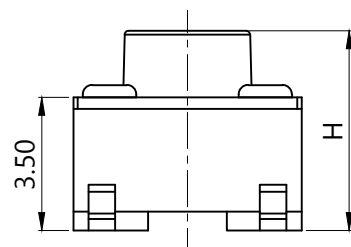
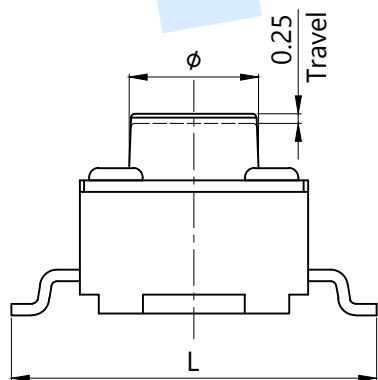
| FOOT PITCH | | |
|------------|-----|----|
| CODE | L | L1 |
| C1 | 8.0 | 10 |
| C2 | 8.5 | 11 |
| C3 | 9.0 | 11 |
| C4 | 9.5 | 12 |

| SHRAPNEL | |
|----------|--------------|
| CODE | MATERIAL/QTY |
| D1 | C5210/1PCS |
| D2 | SUS/1PCS |

| TOTAL HEIGHT | | | | | |
|--------------|------|-----|------|------|-----|
| CODE | H | φ | CODE | H | φ |
| A1 | 4.3 | 3.5 | A14 | 11 | 3.0 |
| A2 | 4.5 | 3.5 | A145 | 11.5 | 3.0 |
| A3 | 5.0 | 3.5 | A15 | 12 | 3.0 |
| A4 | 5.5 | 3.5 | A155 | 12.5 | 3.0 |
| A5 | 6.0 | 3.5 | A16 | 13 | 3.0 |
| A6 | 6.5 | 3.3 | A165 | 13.5 | 3.0 |
| A7 | 7.0 | 3.3 | A17 | 14 | 3.0 |
| A8 | 7.5 | 3.3 | A18 | 15 | 3.0 |
| A9 | 8.0 | 3.3 | A19 | 16 | 3.0 |
| A10 | 8.5 | 3.3 | A20 | 17 | 3.0 |
| A11 | 9.0 | 3.1 | A21 | 18 | 2.9 |
| A12 | 9.5 | 3.1 | A22 | 19 | 2.9 |
| A13 | 10 | 3.1 | A23 | 20 | 2.9 |
| A135 | 10.5 | 3.0 | A24 | 21 | 2.9 |



Circuit Diagram



| NO. | Name | Number | Qty | Materil | Remarks |
|-----|----------|--------|-----|---------|----------------|
| ⑤ | Terminal | | 4 | Brass | Silvering |
| ④ | Reed | | 1 | SUS | Silver covered |
| ③ | Base | | 1 | PPA | Black |
| ② | Cover | | 1 | SPCC | Plating Cu Sn |
| ① | Keystoke | | 1 | PPA | Black |

YUANDI® Yuandi Electronics Co, Ltd

| | | | |
|----------|------|-------|--------------------|
| design | date | name | TACT SWITCHS |
| Review | date | model | TS-1095S-A□B□-C□D□ |
| Approved | date | | |

Drawing number: Proportion 1:1 unit mm gage number A4

| | |
|-------|-------|
| angle | ±2' |
| 10~30 | ±0.30 |
| 5~10 | ±0.20 |
| ~ 5 | ±0.10 |

modify Review Approved Tolerance not specified

X-ON Electronics

Largest Supplier of Electrical and Electronic Components

Click to view similar products for [Tactile Switches](#) category:

Click to view products by [Yuandi](#) manufacturer:

Other Similar products are found below :

[5GTH92001](#) [5GTH9202242](#) [6407-250V-25273P](#) [ADTSA62NV](#) [ADTSA62RV](#) [B3F-3123](#) [1977177-8](#) [1977266-1](#) [ADTSA63NV](#)
[ADTSM21NSVTR](#) [ADTSM25RVTR](#) [ADTSM32NVTR](#) [ADTSMW64RV](#) [FSMRA4JHA04](#) [GS4.70F300QP](#) [KSC241J SP DELTA LFS](#)
[3FTL600RAS](#) [3FTL640RAS](#) [Y96K132V0FPLFS](#) [5GTH9658222](#) [ADTSM31NVTR](#) [EVQ-P1D05K](#) [2-1977120-7](#) [TSJW-5.2-260-TR](#)
[KMT011MNGJLHS](#) [ADTSG648NV](#) [ADTSM62KSVTR](#) [ADTSM648NV](#) [95C06E3RAT](#) [5GTH96561](#) [3ATH9Q](#) [FSM4JSMLXTR](#)
[FSM4JSMXL](#) [FSMRA8JHA04](#) [HARS0073](#) [Y97HS12A5RAFP](#) [Y97BT23B2HAFP](#) [Y33R411N9FPLFT](#) [Y31C01402FPLFS](#)
[PTS645SK50SMTR92](#) [ADTSM32NVB](#) [KMS233GPWTLFG](#) [Y78B42324FP](#) [Y33R21116FPLFT](#) [Y31B43131FPLFG](#) [Y78B64124FP](#)
[Y71243251FP](#) [Y33R31119FPLFT](#) [Y97HS12A5TAFP](#) [PTS638SK25SMTR2LFS](#)