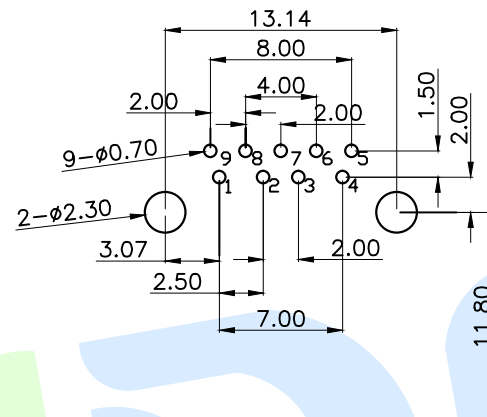
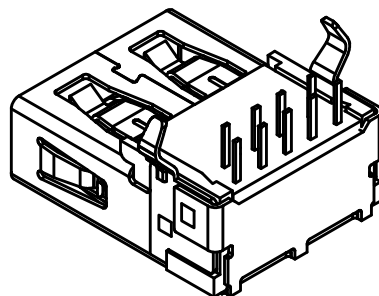
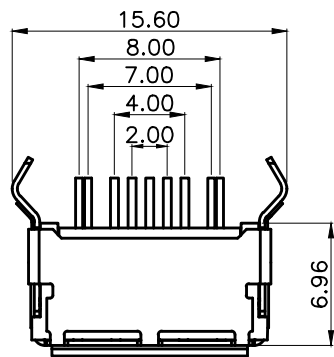


RoHS



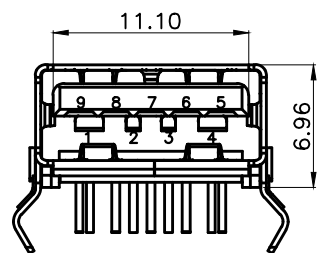
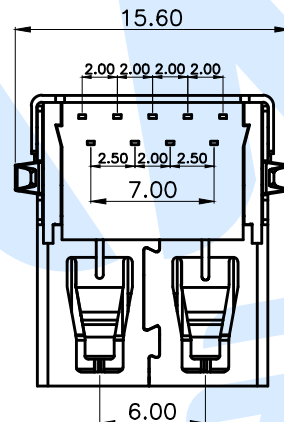
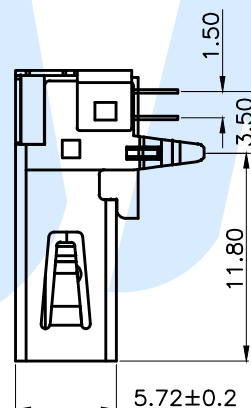
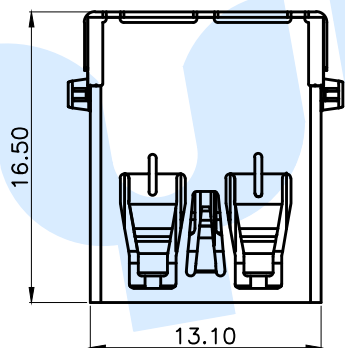
P.C.B Layout (Pattern side) CONNECTOR FRONT EDGE

规格说明: Specifications
电气特性: Electrical

1. 额定电流: Current Rating
PIN1 & PIN4 (Vbus & Corresponding ground PIN) 1.8A MAX Other PINS 0.25A min.
2. 额定电压: Voltage Rating
30V DC
3. 接触阻抗: Contact Resistance
PIN1 & PIN4: 30mΩ MAX. Other PINS: 50mΩ Max
4. 耐电压: Dielectric Withstanding Voltage
AC 500V/1MINUTE.
5. 绝缘阻抗: Insulation Resistance
1000MEGA Ohms Min

物理性能: Mechanical

1. 插拔力: Connector Mate and Unmate Force
Insertion force: 35N (3.57kgf) MAX
Extraction force: 10-35N (1.02-3.57kgf) Min
- 端子保持力: Terminal Retention
1.0kgf (MIN)
- 耐久性: Durability
3000 cycles. EXTRACTLON FORCE:
10-35N (1.02-3.57kgf)



| PIN | SIGNAL NAME | PIN | SIGNAL NAME |
|-----|-------------|-----|-------------|
| 1 | VBUS | 7 | GND |
| 2 | D- | 8 | SSTX- |
| 3 | D+ | 9 | SSTX+ |
| 4 | GND | | |
| 5 | SSRX- | | |
| 6 | SSRX+ | | |

| NO. | Name | Number | Qty | Materil | Remarks |
|-----|----------|--------|-----|---------|------------|
| Ⓒ | Terminal | | 1 | Brass | Ag plating |
| Ⓑ | Shell | | 1 | Brass | Ni plating |
| Ⓐ | Base | | 1 | PBT | Blue |

YUANDI® Yuandi Electronics Co, Ltd

| | | | |
|----------|------|-------|----------------|
| design | date | name | USB CONNECTOR |
| Review | date | model | USB30-02-T2-BL |
| Approved | date | | |

Drawing number: Proportion 1:1 unit mm gage number A4

modify Review Approved Tolerance not specified

angle ±2'
10~30 ±0.30
5~10 ±0.20
~ 5 ±0.10

X-ON Electronics

Largest Supplier of Electrical and Electronic Components

Click to view similar products for [USB Connectors](#) category:

Click to view products by [Yuandi](#) manufacturer:

Other Similar products are found below :

[950](#) [A-USB A-LP-SMT-C](#) [A-USB B-TOP-C](#) [MUSBD11135](#) [17-200721](#) [217450-1](#) [KMBVX-TH-5S-B30](#) [KUSBX-AS2N-W](#) [KUSBX-SMT2AP1S-W30](#) [935](#) [957](#) [30-498-6](#) [SK-60A-2](#) [1734082-1](#) [30-470](#) [30-489](#) [30-541](#) [MAB 5 S](#) [A-USB A-2P-C](#) [MIKROE-1451](#)
[USBFTVSCCG](#) [1-1734084-2](#) [MUSBA81130](#) [NK-27-32SL](#) [NK-L8-22C-5/8](#) [10135326-001LF](#) [4198](#) [690-024-633-031](#) [UB-20PMFP-LC7001](#)
[17-200011](#) [UB-20AFMM-LL7A01](#) [CAP-WCCMLPB1](#) [CAP-WCCMLPC1](#) [2274475-3](#) [914-614A2025S10200](#) [USB3FTV7SAGF059](#)
[USB3FTV2SAZNF459](#) [USB3FTV7SAZNF459](#) [U221-041N-1WVS62-F5D](#) [HYCW153-USBD05-500B](#) [HYCW219-USBD05-075B](#)
[HYCW148-USBD05-117B](#) [HYCW149-USBD05-740B](#) [HYCW204-USBD05-108B](#) [HYCW214-USBA04-113B](#) [HYCW213-USBA04-113B](#)
[KMMX-BSMT35S-1-B30TR](#) [2345986-1](#) [10082141-N340LF](#) [10117836-011LF](#)