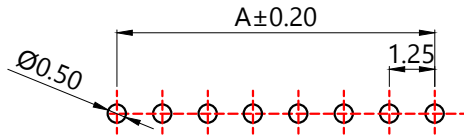
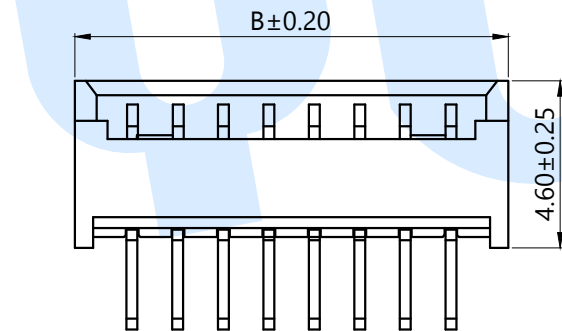
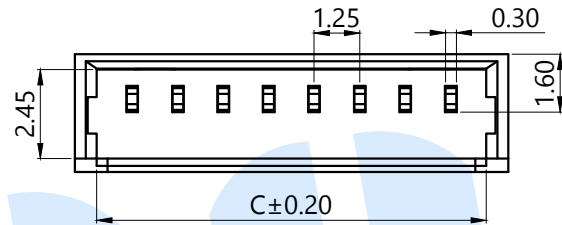
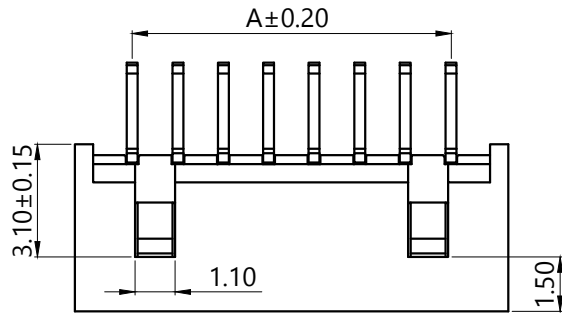
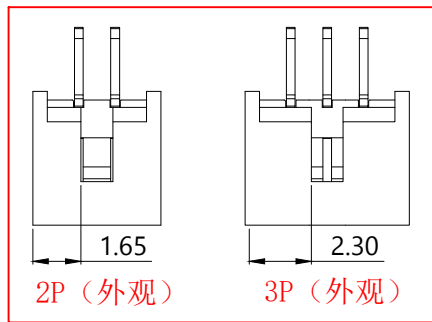
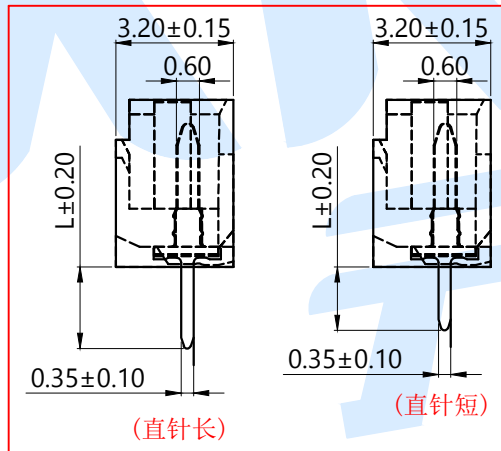
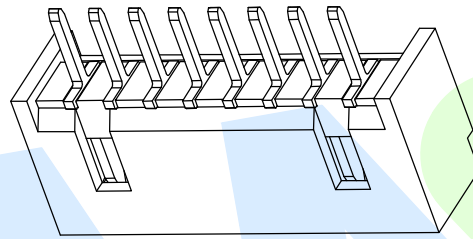


RoHS

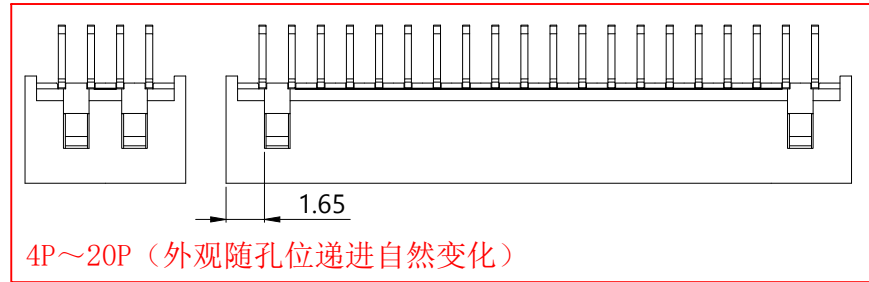


适用线路板 (PCB LAYOUT)



2P (外观)

3P (外观)



4P~20P (外观随孔位递进自然变化)

| Curved needle length |     |
|----------------------|-----|
| Code                 | L   |
| C17                  | 1.7 |
| C22                  | 2.2 |

| Model No.                 | Pin | A     | B     | C     |
|---------------------------|-----|-------|-------|-------|
| WAFER-MX1.25-2PZZ-C□□-9T  | 2   | 1.25  | 4.45  | 3.20  |
| WAFER-MX1.25-3PZZ-C□□-9T  | 3   | 2.50  | 5.70  | 4.45  |
| WAFER-MX1.25-4PZZ-C□□-9T  | 4   | 3.75  | 6.95  | 5.70  |
| WAFER-MX1.25-5PZZ-C□□-9T  | 5   | 5.00  | 8.20  | 6.95  |
| WAFER-MX1.25-6PZZ-C□□-9T  | 6   | 6.25  | 9.45  | 8.20  |
| WAFER-MX1.25-7PZZ-C□□-9T  | 7   | 7.50  | 10.70 | 9.45  |
| WAFER-MX1.25-8PZZ-C□□-9T  | 8   | 8.75  | 11.85 | 10.70 |
| WAFER-MX1.25-9PZZ-C□□-9T  | 9   | 10.00 | 13.20 | 11.85 |
| WAFER-MX1.25-10PZZ-C□□-9T | 10  | 11.25 | 14.35 | 13.20 |
| WAFER-MX1.25-11PZZ-C□□-9T | 11  | 12.50 | 15.70 | 14.35 |
| WAFER-MX1.25-12PZZ-C□□-9T | 12  | 13.75 | 16.95 | 15.70 |
| WAFER-MX1.25-13PZZ-C□□-9T | 13  | 15.00 | 18.20 | 16.95 |
| WAFER-MX1.25-14PZZ-C□□-9T | 14  | 16.25 | 19.45 | 18.20 |
| WAFER-MX1.25-15PZZ-C□□-9T | 15  | 17.50 | 20.70 | 19.45 |
| WAFER-MX1.25-16PZZ-C□□-9T | 16  | 18.75 | 21.95 | 20.70 |
| WAFER-MX1.25-17PZZ-C□□-9T | 17  | 20.00 | 23.20 | 21.95 |
| WAFER-MX1.25-18PZZ-C□□-9T | 18  | 21.25 | 24.45 | 23.20 |
| WAFER-MX1.25-19PZZ-C□□-9T | 19  | 22.50 | 25.70 | 24.45 |
| WAFER-MX1.25-20PZZ-C□□-9T | 20  | 23.75 | 26.95 | 25.70 |

Specifications/技术规格:

- 1.Poles/线数: 2~20P
- 2.Wire range/适用线规: AGW 32#~28#
- 3.Applicable PC board thickness/适用PC板厚度: 0.6~1.2mm
- 4.Current rating/额定电流: 1.0A
- 5.Voltage rating/额定电压: 125V DC/AC
- 6.Insulation Resistance/绝缘电阻: 100MΩ Min
- 7.Dielectric Withstanding/耐电压: 500V AC/minute
- 8.Contact Resistance/接触电阻: 20mΩ Max
- 9.Operating Temperature/工作温度: -25℃ to +85℃

| Ⓑ                                  | Terminal |        |     | Brass                     | Sn Plating |
|------------------------------------|----------|--------|-----|---------------------------|------------|
| Ⓐ                                  | Housing  |        | 1   | PA9T                      | Off White  |
| NO.                                | Name     | Number | Qty | Materil                   | Remarks    |
| YUANDI® Yuandi Electronics Co.,Ltd |          |        |     |                           |            |
| design                             | date     | name   |     | WAFER CONNECTOR           |            |
| Review                             | date     | model  |     | WAFER-MX1.25-□□PZZ-C□□-9T |            |
| Approved                           | date     |        |     |                           |            |

|       |       |
|-------|-------|
| angle | ±2'   |
| 10~30 | ±0.30 |
| 5~10  | ±0.20 |
| ~ 5   | ±0.10 |

Drawing number: Proportion 1:1 unit mm gage number A4

modify Review Approved Tolerance not specified

## X-ON Electronics

Largest Supplier of Electrical and Electronic Components

*Click to view similar products for [Headers & Wire Housings](#) category:*

*Click to view products by [Yuandi](#) manufacturer:*

Other Similar products are found below :

[0015917161](#) [0022155065](#) [57102-F02-18ULF](#) [58102-G61-06LF](#) [582553-1](#) [01.001.5753.1](#) [0050291907](#) [02.125.8002.8](#) [609-3404](#) [61062-3](#)  
[CSU011177004](#) [622-0430](#) [622-3653LF](#) [63453-116](#) [636-1030](#) [636-1427](#) [636-3427](#) [636-4007](#) [641938-9](#) [65495-038](#) [65692-001LF](#) [65781-018](#)  
[65781-047](#) [65817-010LF](#) [65817-015LF](#) [67095-007LF](#) [67601157](#) [68631-112](#) [699319-000](#) [70.362.1628.0](#) [70-4210](#) [70-4226B](#) [70-4853B](#) [707-](#)  
[5028](#) [71.350.2428.0](#) [733-134](#) [733-162](#) [760-3052](#) [MHR-64-VUAL](#) [80.063.4001.1](#) [800-90-001-10-001000](#) [801-43-002-10-013000](#)  
[801-43-006-10-002000](#) [803-43-024-10-001000](#) [803-93-012-10-001000](#) [8-1437020-4](#) [819-22-004-30-001101](#) [820-22-006-30-001101](#)  
[820-22-008-30-001101](#) [821-22-002-10-001101](#)