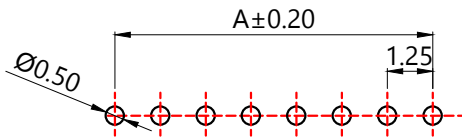
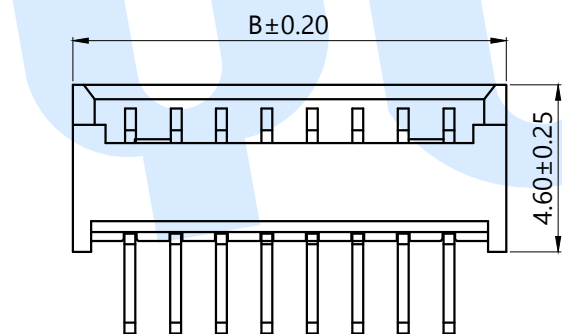
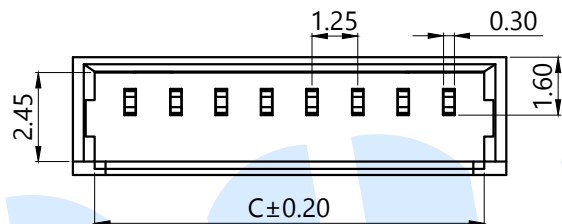
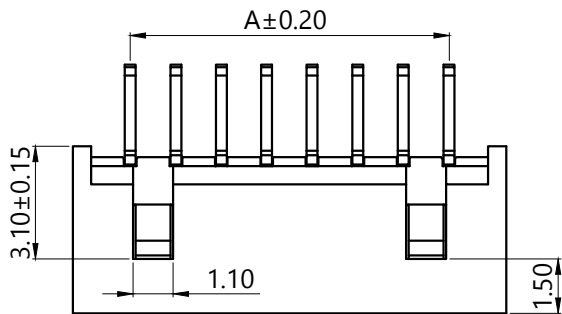
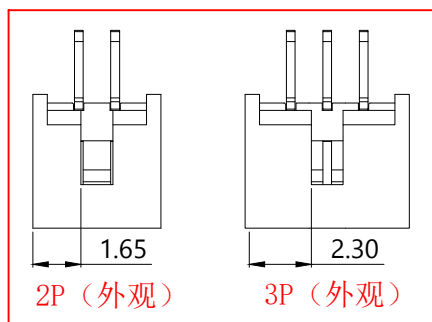
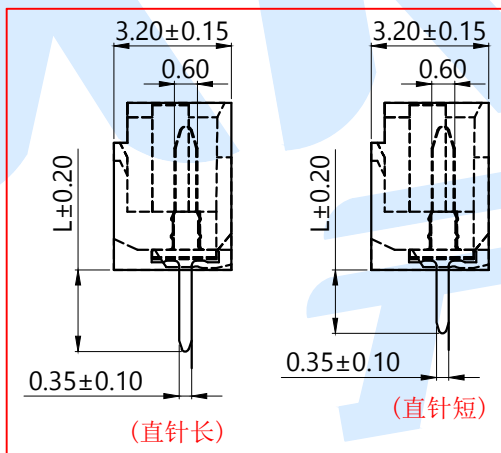
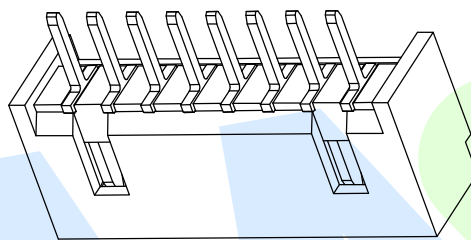


RoHS

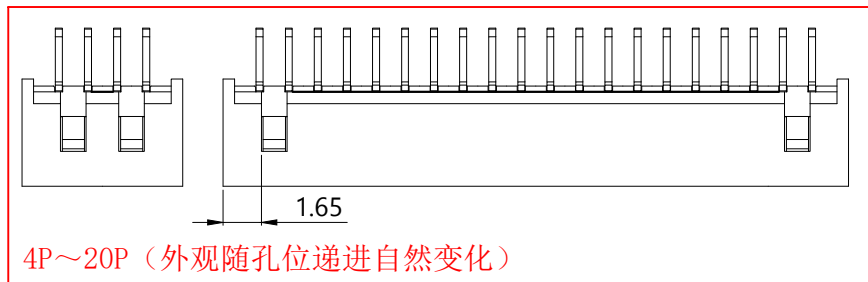


适用线路板 (PCB LAYOUT)



2P (外观)

3P (外观)



4P~20P (外观随孔位递进自然变化)

Curved needle length	
Code	L
C17	1.7
C22	2.2

Model No.	Pin	A	B	C
WAFER-MX1.25-2PZZ-C□□-9T	2	1.25	4.45	3.20
WAFER-MX1.25-3PZZ-C□□-9T	3	2.50	5.70	4.45
WAFER-MX1.25-4PZZ-C□□-9T	4	3.75	6.95	5.70
WAFER-MX1.25-5PZZ-C□□-9T	5	5.00	8.20	6.95
WAFER-MX1.25-6PZZ-C□□-9T	6	6.25	9.45	8.20
WAFER-MX1.25-7PZZ-C□□-9T	7	7.50	10.70	9.45
WAFER-MX1.25-8PZZ-C□□-9T	8	8.75	11.85	10.70
WAFER-MX1.25-9PZZ-C□□-9T	9	10.00	13.20	11.85
WAFER-MX1.25-10PZZ-C□□-9T	10	11.25	14.35	13.20
WAFER-MX1.25-11PZZ-C□□-9T	11	12.50	15.70	14.35
WAFER-MX1.25-12PZZ-C□□-9T	12	13.75	16.95	15.70
WAFER-MX1.25-13PZZ-C□□-9T	13	15.00	18.20	16.95
WAFER-MX1.25-14PZZ-C□□-9T	14	16.25	19.45	18.20
WAFER-MX1.25-15PZZ-C□□-9T	15	17.50	20.70	19.45
WAFER-MX1.25-16PZZ-C□□-9T	16	18.75	21.95	20.70
WAFER-MX1.25-17PZZ-C□□-9T	17	20.00	23.20	21.95
WAFER-MX1.25-18PZZ-C□□-9T	18	21.25	24.45	23.20
WAFER-MX1.25-19PZZ-C□□-9T	19	22.50	25.70	24.45
WAFER-MX1.25-20PZZ-C□□-9T	20	23.75	26.95	25.70

Specifications/技术规格:

- 1.Poles/线数: 2~20P
- 2.Wire range/适用线规: AGW 32#~28#
- 3.Applicable PC board thickness/适用PC板厚度: 0.6~1.2mm
- 4.Current rating/额定电流: 1.0A
- 5.Voltage rating/额定电压: 125V DC/AC
- 6.Insulation Resistance/绝缘电阻: 100MΩ Min
- 7.Dielectric Withstanding/耐电压: 500V AC/minute
- 8.Contact Resistance/接触电阻: 20mΩ Max
- 9.Operating Temperature/工作温度: -25℃ to +85℃

Ⓑ	Terminal			Brass	Sn Plating
Ⓐ	Housing		1	PA9T	Off White
NO.	Name	Number	Qty	Material	Remarks
YUANDI® Yuandi Electronics Co., Ltd					
design	date	name		WAFER CONNECTOR	
Review	date	model		WAFER-MX1.25-□□PZZ-C□□-9T	
Approved	date				

X-ON Electronics

Largest Supplier of Electrical and Electronic Components

Click to view similar products for [Headers & Wire Housings](#) category:

Click to view products by [Yuandi](#) manufacturer:

Other Similar products are found below :

[0015917161](#) [0022155065](#) [57102-F02-18ULF](#) [58102-G61-06LF](#) [582553-1](#) [01.001.5753.1](#) [0050291907](#) [02.125.8002.8](#) [609-3404](#) [61062-3](#)
[CSU011177004](#) [622-0430](#) [622-3653LF](#) [63453-116](#) [636-1030](#) [636-1427](#) [636-3427](#) [636-4007](#) [641938-9](#) [65495-038](#) [65692-001LF](#) [65781-018](#)
[65781-047](#) [65817-010LF](#) [65817-015LF](#) [67095-007LF](#) [67601157](#) [68631-112](#) [699319-000](#) [70.362.1628.0](#) [70-4210](#) [70-4226B](#) [70-4853B](#) [707-](#)
[5028](#) [71.350.2428.0](#) [733-134](#) [733-162](#) [760-3052](#) [MHR-64-VUAL](#) [80.063.4001.1](#) [800-90-001-10-001000](#) [801-43-002-10-013000](#)
[801-43-006-10-002000](#) [803-43-024-10-001000](#) [803-93-012-10-001000](#) [8-1437020-4](#) [819-22-004-30-001101](#) [820-22-006-30-001101](#)
[820-22-008-30-001101](#) [821-22-002-10-001101](#)