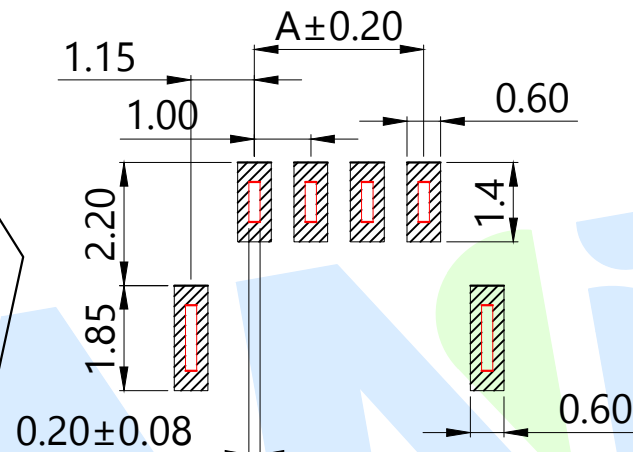
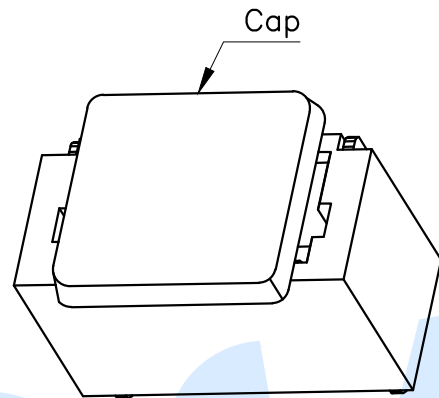
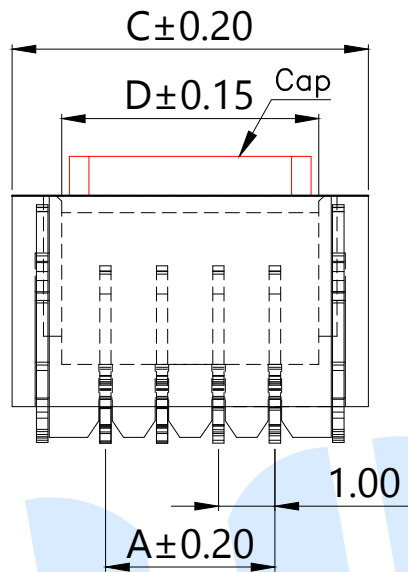


RoHS



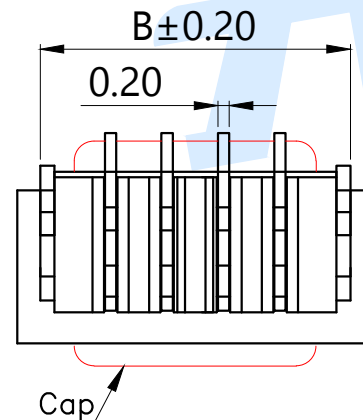
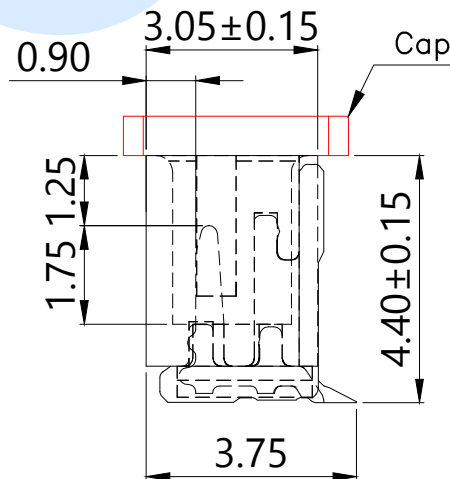
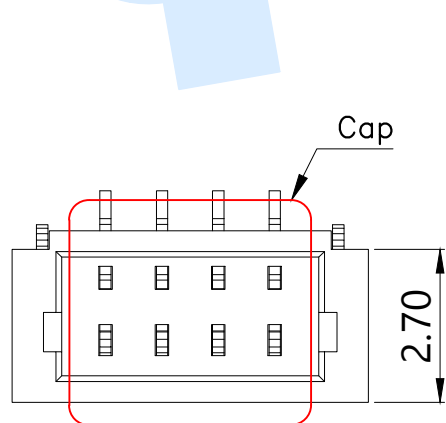
适用线路板 (PCB LAYOUT)

| Model No. | Pin | A | B | C | D |
|----------------------|-----|-------|-------|-------|-------|
| WAFER-SH1.0-2PLT-W1 | 2 | 1.00 | 3.50 | 4.35 | 2.60 |
| WAFER-SH1.0-3PLT-W1 | 3 | 2.00 | 4.50 | 5.35 | 3.60 |
| WAFER-SH1.0-4PLT-W1 | 4 | 3.00 | 5.50 | 6.35 | 4.60 |
| WAFER-SH1.0-5PLT-W1 | 5 | 4.00 | 6.50 | 7.35 | 5.60 |
| WAFER-SH1.0-6PLT-W1 | 6 | 5.00 | 7.50 | 8.35 | 6.60 |
| WAFER-SH1.0-7PLT-W1 | 7 | 6.00 | 8.50 | 9.35 | 7.60 |
| WAFER-SH1.0-8PLT-W1 | 8 | 7.00 | 9.50 | 10.35 | 8.60 |
| WAFER-SH1.0-9PLT-W1 | 9 | 8.00 | 10.50 | 11.35 | 9.60 |
| WAFER-SH1.0-10PLT-W1 | 10 | 9.00 | 11.50 | 12.35 | 10.60 |
| WAFER-SH1.0-11PLT-W1 | 11 | 10.00 | 12.50 | 13.35 | 11.60 |
| WAFER-SH1.0-12PLT-W1 | 12 | 11.00 | 13.50 | 14.35 | 12.60 |
| WAFER-SH1.0-13PLT-W1 | 13 | 12.00 | 14.50 | 15.35 | 13.60 |
| WAFER-SH1.0-14PLT-W1 | 14 | 13.00 | 15.50 | 16.35 | 14.60 |
| WAFER-SH1.0-15PLT-W1 | 15 | 14.00 | 16.50 | 17.35 | 15.60 |
| WAFER-SH1.0-16PLT-W1 | 16 | 15.00 | 17.50 | 18.35 | 16.60 |
| WAFER-SH1.0-13PLT-W1 | 17 | 16.00 | 18.50 | 19.35 | 17.60 |
| WAFER-SH1.0-14PLT-W1 | 18 | 17.00 | 19.50 | 20.35 | 18.60 |
| WAFER-SH1.0-15PLT-W1 | 19 | 18.00 | 20.50 | 21.35 | 19.60 |
| WAFER-SH1.0-16PLT-W1 | 20 | 19.00 | 21.50 | 22.35 | 20.60 |

WAFER-SH1.0-□□PLT-W1 (-P=盘装, 非盘装不启用)

Specifications/技术规格:

- 1.Poles/线数: 2~20P
- 2.Wire range/适用线规: AGW 32#~28#
- 3.Applicable PC board thickness/适用PC板厚度: 0.6~1.2mm
- 4.Current rating/额定电流: 1.0A
- 5.Voltage rating/额定电压: 50V DC/AC
- 6.Insulation Resistance/绝缘电阻: 100MΩ Min
- 7.Dielectric Withstanding/ 耐电压: 500V AC/minute
- 8.Contact Resistance/ 接触电阻: 20mΩ Max
- 9.Operating Temperature/ 工作温度: -25℃ to +85℃



| Ⓒ | Soldering lug | | 1 | Phosphorous copper | Plating Sn |
|-----|---------------|--------|-----|--------------------|------------|
| Ⓑ | Terminal | | | Phosphorous copper | Plating Sn |
| Ⓐ | Housing | | 1 | LCP | Off White |
| NO. | Name | Number | Qty | Materil | Remarks |

YUANDI® Yuandi Electronics Co, Ltd

| | | | |
|----------|------|-------|----------------------|
| design | date | name | WAFER CONNECTOR |
| Review | date | model | WAFER-SH1.0-□□PLT-W1 |
| Approved | date | | |

modify Review Approved Tolerance not specified Proportion 1:1 unit mm gage number A4

X-ON Electronics

Largest Supplier of Electrical and Electronic Components

Click to view similar products for [Headers & Wire Housings](#) category:

Click to view products by [Yuandi](#) manufacturer:

Other Similar products are found below :

[0015917161](#) [0022155065](#) [57102-F02-18ULF](#) [58102-G61-06LF](#) [582553-1](#) [01.001.5753.1](#) [0050291907](#) [02.125.8002.8](#) [609-3404](#) [61062-3](#)
[CSU011177004](#) [622-0430](#) [622-3653LF](#) [63453-116](#) [636-1030](#) [636-1427](#) [636-3427](#) [636-4007](#) [641938-9](#) [65495-038](#) [65692-001LF](#) [65781-018](#)
[65781-047](#) [65817-010LF](#) [65817-015LF](#) [67095-007LF](#) [67601157](#) [68631-112](#) [68645-018](#) [699319-000](#) [70.362.1628.0](#) [70-4210](#) [70-4226B](#) [70-](#)
[4853B](#) [71.350.2428.0](#) [733-134](#) [733-162](#) [760-3052](#) [MHR-64-VUAL](#) [80.063.4001.1](#) [800-90-001-10-001000](#) [801-43-002-10-013000](#)
[801-43-006-10-002000](#) [803-43-024-10-001000](#) [803-93-012-10-001000](#) [8-1437020-4](#) [819-22-004-30-001101](#) [820-22-006-30-001101](#)
[820-22-008-30-001101](#) [821-22-002-10-001101](#)