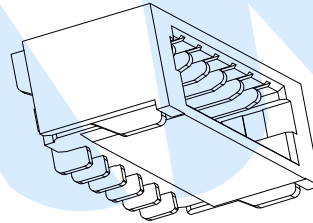
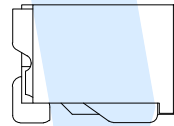
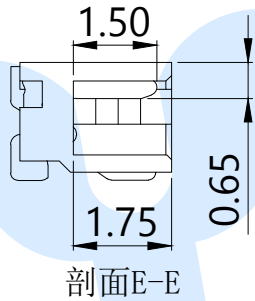
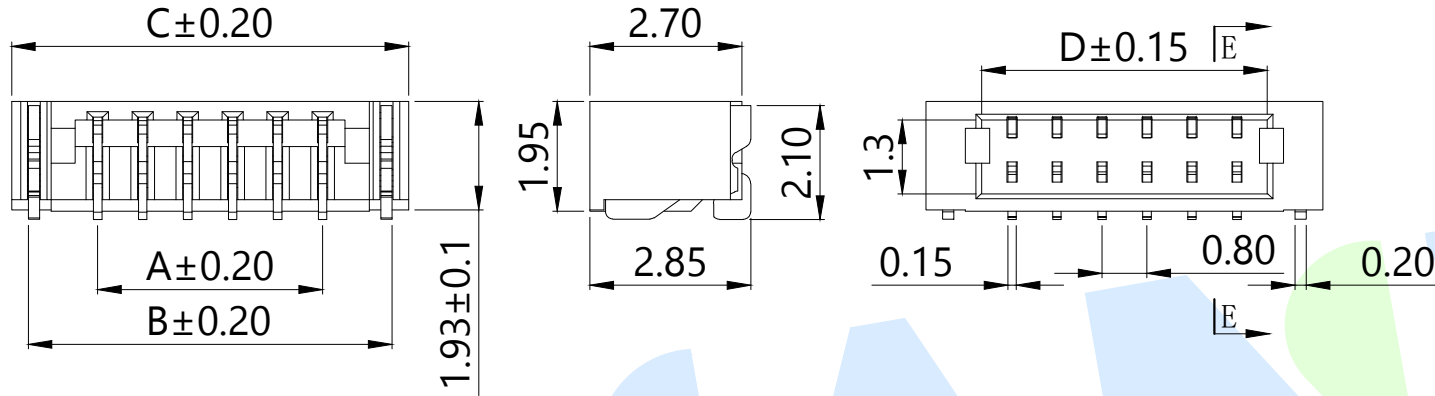


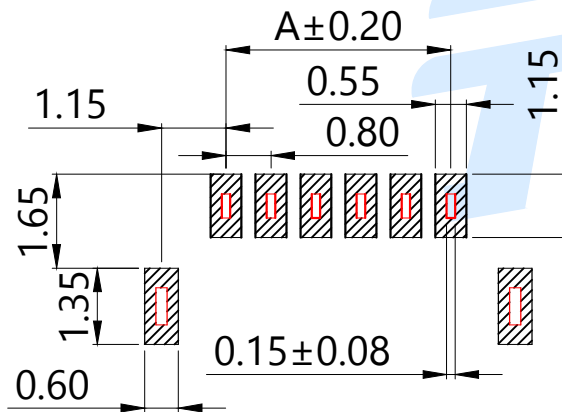
RoHS



Model No.	Pin	A	B	C	D
WAFER-SURO.8-2PWT-W1	2	0.80	3.25	3.85	1.88
WAFER-SURO.8-3PWT-W1	3	1.60	4.05	4.65	2.68
WAFER-SURO.8-4PWT-W1	4	2.40	4.85	5.45	3.48
WAFER-SURO.8-5PWT-W1	5	3.20	5.65	6.25	4.28
WAFER-SURO.8-6PWT-W1	6	4.00	6.45	7.05	5.08
WAFER-SURO.8-7PWT-W1	7	4.80	7.25	7.85	5.88
WAFER-SURO.8-8PWT-W1	8	5.60	8.05	8.65	6.68
WAFER-SURO.8-9PWT-W1	9	6.40	8.85	9.45	7.48
WAFER-SURO.8-10PWT-W1	10	7.20	9.65	10.25	8.28
WAFER-SURO.8-11PWT-W1	11	8.00	10.45	11.05	9.08
WAFER-SURO.8-12PWT-W1	12	8.80	11.25	11.85	9.88
WAFER-SURO.8-13PWT-W1	13	9.60	12.05	12.65	10.68
WAFER-SURO.8-14PWT-W1	14	10.40	12.85	13.45	11.48
WAFER-SURO.8-15PWT-W1	15	11.20	13.65	14.25	12.28
WAFER-SURO.8-16PWT-W1	16	12.00	14.45	15.05	13.08

WAFER-SURO.8-□□PWT-W1 (-P=盘装, 非盘装不启用)

- Specifications/技术规格:
- 1.Poles/线数: 2~20P
 - 2.Wire range/适用线规: AGW 32#~28#
 - 3.Applicable PC board thickness/适用PC板厚度: 0.6~1.2mm
 - 4.Current rating/额定电流: 1.0A
 - 5.Voltage rating/额定电压: 30V DC/AC
 - 6.Insulation Resistance/绝缘电阻: 100MΩ Min
 - 7.Dielectric Withstanding/ 耐压: 200V AC/minute
 - 8.Contact Resistance/ 接触电阻: 40mΩ Max
 - 9.Operating Temperature/ 工作温度: -25℃ to +85℃



适用线路板 (PCB LAYOUT)

◎	Soldering lug		1	Phosphorous copper	Plating Sn
◎	Terminal			Phosphorous copper	Plating Sn
◎	Housing		1	LCP	Off White
NO.	Name	Number	Qty	Materil	Remarks

YUANDI® Yuandi Electronics Co, Ltd

design	date	name	WAFER CONNECTOR
Review	date	model	WAFER-SURO.8-□□PWT-W1
Approved	date		

Drawing number: Proportion 1:1 unit mm gage number A4

modify Review Approved Tolerance not specified

								angle	±2'
								10~30	±0.30
								5~10	±0.20
								~ 5	±0.10

X-ON Electronics

Largest Supplier of Electrical and Electronic Components

Click to view similar products for [Headers & Wire Housings](#) category:

Click to view products by [Yuandi](#) manufacturer:

Other Similar products are found below :

[0015917161](#) [0022155065](#) [57102-F02-18ULF](#) [58102-G61-06LF](#) [582553-1](#) [01.001.5753.1](#) [0050291907](#) [02.125.8002.8](#) [609-3404](#) [61062-3](#)
[CSU011177004](#) [622-0430](#) [622-3653LF](#) [63453-116](#) [636-1030](#) [636-1427](#) [636-3427](#) [636-4007](#) [641938-9](#) [65495-038](#) [65692-001LF](#) [65781-018](#)
[65781-047](#) [65817-010LF](#) [65817-015LF](#) [67095-007LF](#) [67601157](#) [68631-112](#) [68645-018](#) [699319-000](#) [70.362.1628.0](#) [70-4210](#) [70-4226B](#) [70-](#)
[4853B](#) [71.350.2428.0](#) [733-134](#) [733-162](#) [MHR-64-VUAL](#) [80.063.4001.1](#) [800-90-001-10-001000](#) [801-43-002-10-013000](#) [801-43-006-10-](#)
[002000](#) [803-43-024-10-001000](#) [803-93-012-10-001000](#) [8-1437020-4](#) [819-22-004-30-001101](#) [820-22-006-30-001101](#) [820-22-008-30-001101](#)
[821-22-002-10-001101](#) [821-22-003-10-002101](#)