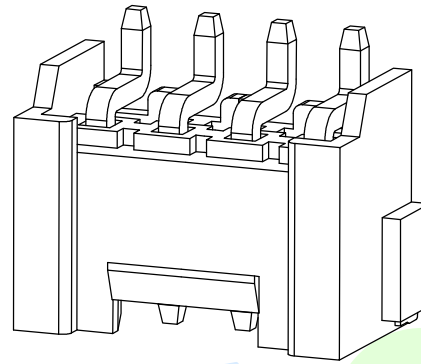
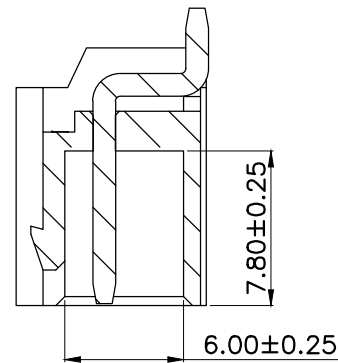
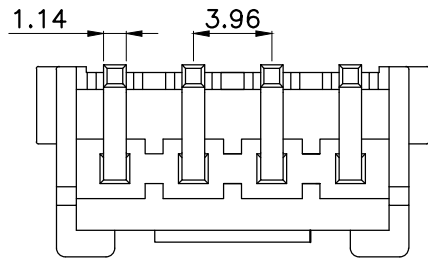


RoHS



Model No.	Pin	A	B	C	C
WAFER-VH3.96-2PWT-W1	2	3.96	9.80	11.90	8.65
WAFER-VH3.96-3PWT-W1	3	7.92	13.76	15.86	12.61
WAFER-VH3.96-4PWT-W1	4	11.88	17.72	19.82	16.57
WAFER-VH3.96-5PWT-W1	5	15.84	21.68	23.78	20.53
WAFER-VH3.96-6PWT-W1	6	19.80	25.64	27.74	24.49
WAFER-VH3.96-7PWT-W1	7	23.76	29.60	31.70	28.45
WAFER-VH3.96-8PWT-W1	8	27.72	33.56	35.66	32.41
WAFER-VH3.96-9PWT-W1	9	31.68	37.52	39.62	36.37
WAFER-VH3.96-10PWT-W1	10	35.64	41.48	43.58	40.33
WAFER-VH3.96-11PWT-W1	11	39.60	45.44	47.54	44.29
WAFER-VH3.96-12PWT-W1	12	43.56	49.40	51.50	48.25
WAFER-VH3.96-13PWT-W1	13	47.52	53.36	55.46	52.21
WAFER-VH3.96-14PWT-W1	14	51.48	57.32	59.42	56.17

WAFER-VH3.96-□□PWT-W1 (-P=盘装, 非盘装不启用)

Specifications/技术规格:

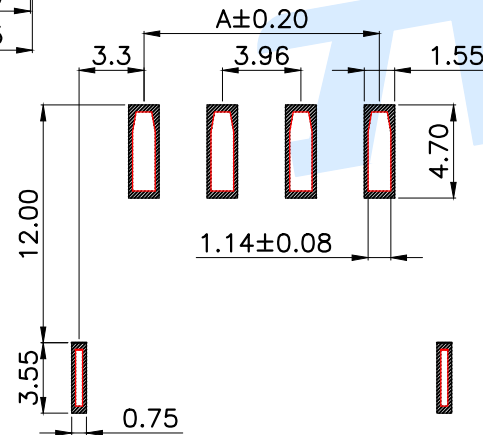
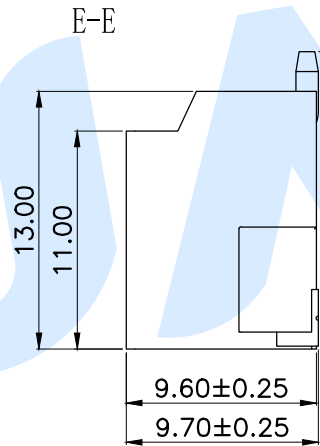
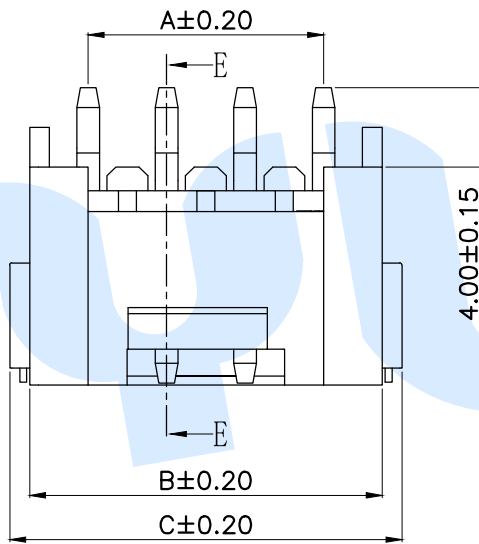
- 1.Poles/线数: 2~14P
- 2.Wire range/适用线规: AGW 22#~18#
- 3.Applicable PC board thickness/适用PC板厚度: 1.6mm
- 4.Current rating/额定电流: 7.0A
- 5.Voltage rating/额定电压: 250V DC/AC
- 6.Insulation Resistance/绝缘电阻: 1000MΩ Min
- 7.Dielectric Withstanding/耐电压: 1500V AC/minute
- 8.Contact Resistance/接触电阻: 20mΩ Max
- 9.Operating Temperature/工作温度: -25℃ to +85℃

Ⓒ	Soldering lug		1	Brass	Plating Sn
Ⓑ	Terminal			Brass	Plating Sn
Ⓐ	Housing		1	LCP	Off White
NO.	Name	Number	Qty	Materil	Remarks

YUANDI® Yuandi Electronics Co., Ltd

design	date	name	WAFER CONNECTOR
Review	date	model	WAFER-VH3.96-□□PWT-W1
Approved	date		

Drawing number: Proportion 1:1 unit mm gage number A4



适用线路板 (PCB LAYOUT)

angle	±2'		
10~30	±0.30		
5~10	±0.20		
~ 5	±0.10		
modify	Review	Approved	Tolerance not specified

X-ON Electronics

Largest Supplier of Electrical and Electronic Components

Click to view similar products for [Headers & Wire Housings](#) category:

Click to view products by [Yuandi](#) manufacturer:

Other Similar products are found below :

[0015917161](#) [0022155065](#) [57102-F02-18ULF](#) [58102-G61-06LF](#) [582553-1](#) [01.001.5753.1](#) [0050291907](#) [02.125.8002.8](#) [609-3404](#) [61062-3](#)
[CSU011177004](#) [622-0430](#) [622-3653LF](#) [63453-116](#) [636-1030](#) [636-1427](#) [636-3427](#) [636-4007](#) [641938-9](#) [65495-038](#) [65692-001LF](#) [65781-018](#)
[65781-047](#) [65817-010LF](#) [65817-015LF](#) [67095-007LF](#) [67601157](#) [68631-112](#) [68645-018](#) [699319-000](#) [70.362.1628.0](#) [70-4210](#) [70-4226B](#) [70-](#)
[4853B](#) [71.350.2428.0](#) [733-134](#) [733-162](#) [760-3052](#) [MHR-64-VUAL](#) [80.063.4001.1](#) [800-90-001-10-001000](#) [801-43-002-10-013000](#)
[801-43-006-10-002000](#) [803-43-024-10-001000](#) [803-93-012-10-001000](#) [8-1437020-4](#) [819-22-004-30-001101](#) [820-22-006-30-001101](#)
[820-22-008-30-001101](#) [821-22-002-10-001101](#)