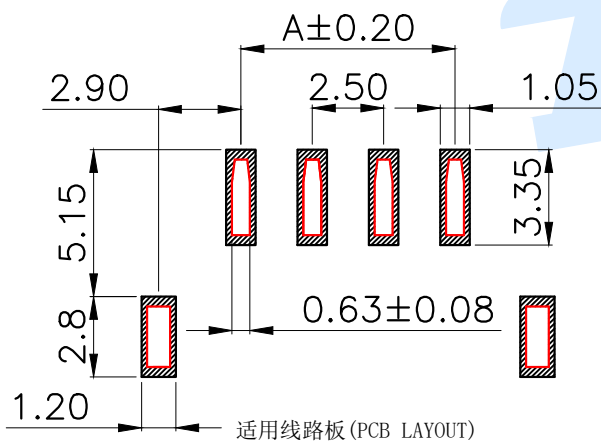
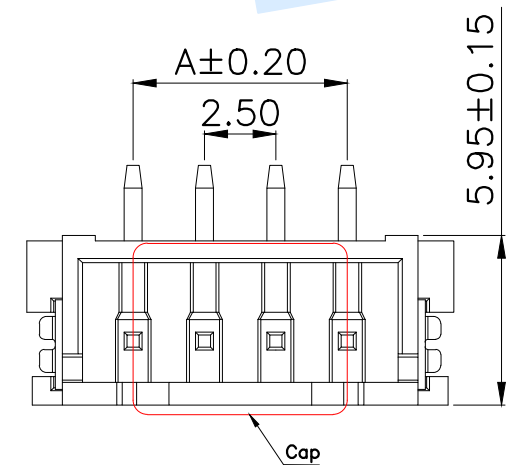
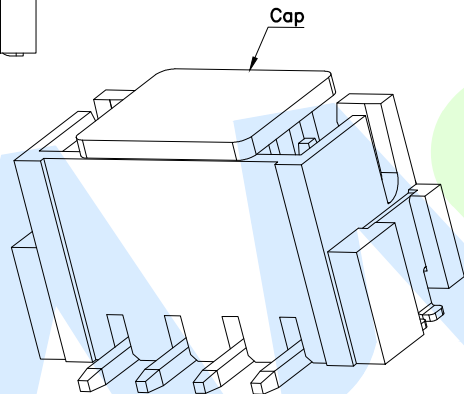
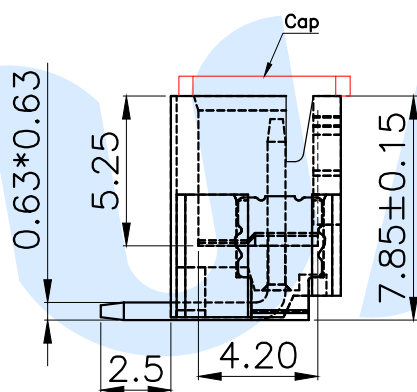
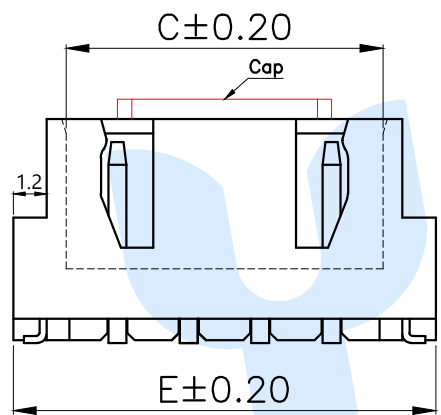
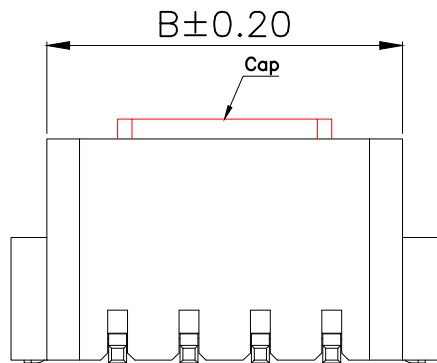
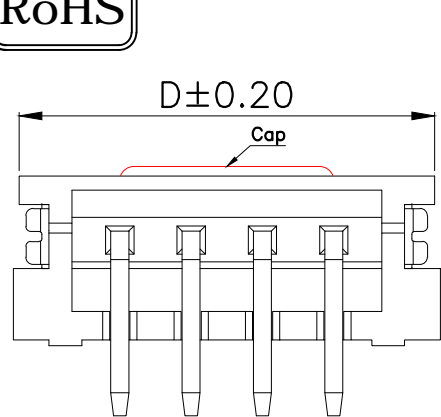


RoHS



适用线路板(PCB LAYOUT)

| Model No. | Pin | A | B | C | D | E |
|-----------------------|-----|-------|-------|-------|-------|-------|
| WAFER-XH2.54-2PLT-W1 | 2 | 2.50 | 7.50 | 6.05 | 9.40 | 10.00 |
| WAFER-XH2.54-3PLT-W1 | 3 | 5.00 | 10.00 | 8.55 | 11.90 | 12.50 |
| WAFER-XH2.54-4PLT-W1 | 4 | 7.50 | 12.50 | 11.05 | 14.40 | 15.00 |
| WAFER-XH2.54-5PLT-W1 | 5 | 10.00 | 15.00 | 13.55 | 16.90 | 17.50 |
| WAFER-XH2.54-6PLT-W1 | 6 | 12.50 | 17.50 | 16.05 | 19.40 | 20.00 |
| WAFER-XH2.54-7PLT-W1 | 7 | 15.00 | 20.00 | 18.55 | 21.90 | 22.50 |
| WAFER-XH2.54-8PLT-W1 | 8 | 17.50 | 22.50 | 21.05 | 24.40 | 25.00 |
| WAFER-XH2.54-9PLT-W1 | 9 | 20.00 | 25.00 | 23.55 | 26.90 | 27.50 |
| WAFER-XH2.54-10PLT-W1 | 10 | 22.50 | 27.50 | 26.05 | 29.40 | 30.00 |
| WAFER-XH2.54-11PLT-W1 | 11 | 25.00 | 30.00 | 28.55 | 31.90 | 32.50 |
| WAFER-XH2.54-12PLT-W1 | 12 | 27.50 | 32.50 | 31.05 | 34.40 | 35.00 |
| WAFER-XH2.54-13PLT-W1 | 13 | 30.00 | 35.00 | 33.55 | 36.90 | 37.50 |
| WAFER-XH2.54-14PLT-W1 | 14 | 32.50 | 37.50 | 36.05 | 39.40 | 40.00 |
| WAFER-XH2.54-15PLT-W1 | 15 | 35.00 | 40.00 | 38.55 | 41.90 | 42.50 |
| WAFER-XH2.54-16PLT-W1 | 16 | 37.50 | 42.50 | 41.05 | 44.40 | 45.00 |
| WAFER-XH2.54-17PLT-W1 | 17 | 40.00 | 45.00 | 43.55 | 46.90 | 47.50 |
| WAFER-XH2.54-18PLT-W1 | 18 | 42.50 | 47.50 | 46.05 | 49.40 | 50.00 |
| WAFER-XH2.54-19PLT-W1 | 19 | 45.00 | 50.00 | 48.55 | 51.90 | 52.50 |
| WAFER-XH2.54-20PLT-W1 | 20 | 47.50 | 52.50 | 51.05 | 54.40 | 55.00 |

WAFER-XH2.54-□□PLT-W1(-P=盘装, 非盘装不启用)

Specifications/技术规格:

- 1.Poles/线数: 2~20P
- 2.Wire range/适用线规: AGW 28#~22#
- 3.Applicable PC board thickness/适用PC板厚度: 1.6mm
- 4.Current rating/额定电流: 3.0A
- 5.Voltage rating/额定电压: 250V DC/AC
- 6.Insulation Resistance/绝缘电阻: 1000MΩ Min
- 7.Dielectric Withstanding/耐电压: 1000V AC/minute
- 8.Contact Resistance/接触电阻: 20mΩ Max
- 9.Operating Temperature/工作温度: -25℃ to +85℃

| Ⓒ | Soldering lug | | 1 | Brass | Plating Sn |
|-----|---------------|--------|-----|---------|------------|
| Ⓑ | Terminal | | | Brass | Plating Sn |
| Ⓐ | Housing | | 1 | LCP | Off White |
| NO. | Name | Number | Qty | Materil | Remarks |

YUANDI® Yuandi Electronics Co., Ltd
元典

| | | | |
|----------|------|-------|-----------------------|
| design | date | name | WAFER CONNECTOR |
| Review | date | model | WAFER-XH2.54-□□PLT-W1 |
| Approved | date | | |

Drawing number: modify Review Approved Tolerance not specified Proportion 1:1 unit mm gage number A4

X-ON Electronics

Largest Supplier of Electrical and Electronic Components

Click to view similar products for [Headers & Wire Housings](#) category:

Click to view products by [Yuandi](#) manufacturer:

Other Similar products are found below :

[0015917161](#) [0022155065](#) [57102-F02-18ULF](#) [58102-G61-06LF](#) [582553-1](#) [01.001.5753.1](#) [0050291907](#) [02.125.8002.8](#) [609-3404](#) [61062-3](#)
[CSU011177004](#) [622-0430](#) [622-3653LF](#) [63453-116](#) [636-1030](#) [636-1427](#) [636-3427](#) [636-4007](#) [641938-9](#) [65495-038](#) [65692-001LF](#) [65781-018](#)
[65781-047](#) [65817-010LF](#) [65817-015LF](#) [67095-007LF](#) [67601157](#) [68631-112](#) [68645-018](#) [699319-000](#) [70.362.1628.0](#) [70-4210](#) [70-4226B](#) [70-](#)
[4853B](#) [71.350.2428.0](#) [733-134](#) [733-162](#) [MHR-64-VUAL](#) [80.063.4001.1](#) [800-90-001-10-001000](#) [801-43-002-10-013000](#) [801-43-006-10-](#)
[002000](#) [803-43-024-10-001000](#) [803-93-012-10-001000](#) [8-1437020-4](#) [819-22-004-30-001101](#) [820-22-006-30-001101](#) [820-22-008-30-001101](#)
[821-22-002-10-001101](#) [821-22-003-10-002101](#)