



# 承認書

## SPECIFICATION FOR APPROVAL

客戶名稱及編號:

K4625

CUSTOMER:

產品名稱:

DESCRIPTION:

MINIATURE ROCKER AND LEVER HANDLE SWITCH

產品型號:

MODEL NO:

MR-0-202-A01-0000-RS

本司料號:

OUR PART NO:

LS00069ZNR

客戶料號:

CUSTOMER PART NO:

C1788502

承認書編號:

SPECIFICATION NO:

YF-ENG-F-31941

日期:

DATE:

2020-12-22

WRITTEN 制定: 雷艳平

APPROVAL 審核:

承認書附頁: 圖紙, 規格書

客戶承認欄

CUSTOMER APPROVAL SIGNATURE

MODEL NO.:

APPROVED NO.:

PART NO.:

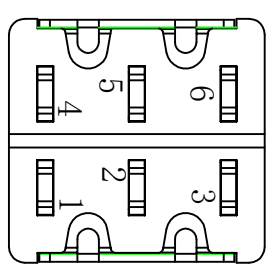
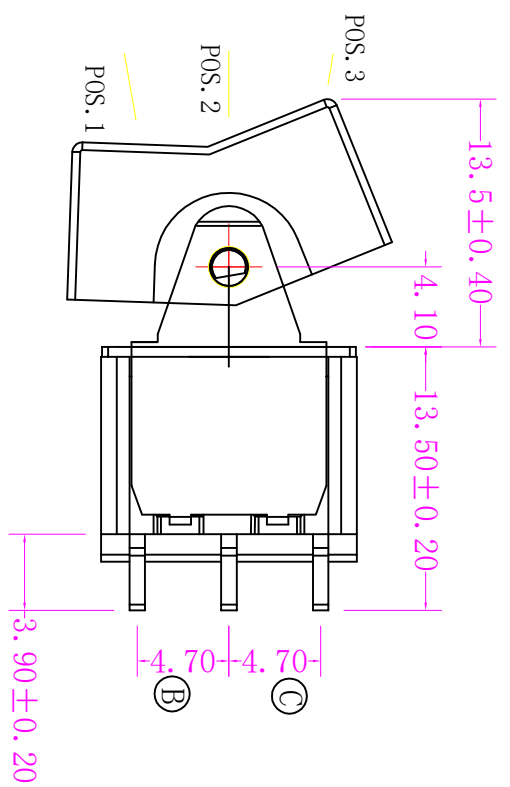
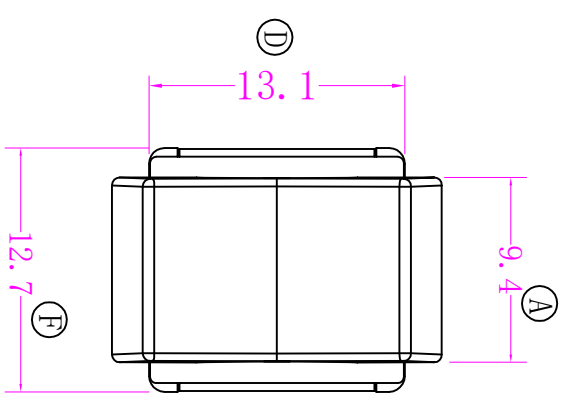
DATE:



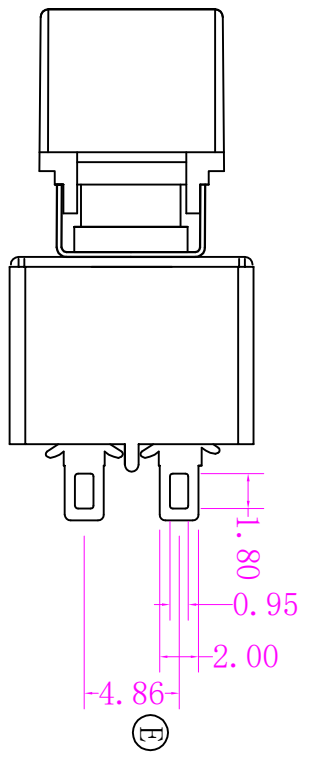
深圳市寶安區福永鎮鳳凰社區錦灝大廈 1120

Tel:0755-33809280~3 Fax:0755-33809285

| 自由公差    |      | 公差    |
|---------|------|-------|
| 区分      | 类别   |       |
| 0       | <0.5 | ±0.1  |
| 0.50    | <5   | ±0.15 |
| 5.0     | <10  | ±0.2  |
| 10.0    | <20  | ±0.3  |
| 20.0    | <50  | ±0.4  |
| 未标注R角   |      | R0.2  |
| 未标注角度公差 |      | ±1°   |

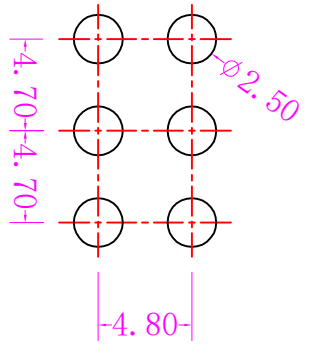


手柄位置及导通端子示意图



| Model NO. | POS. 1 |      |      | POS. 2 |      |      | POS. 3 |      |      |
|-----------|--------|------|------|--------|------|------|--------|------|------|
|           | 1      | 2    | 3    | 1      | 2    | 3    | 1      | 2    | 3    |
| 202       | ON     | NONE | NONE | ON     | NONE | NONE | ON     | NONE | NONE |
| SCHMATIC  |        |      |      |        |      |      |        |      |      |

标注: A-H 为重点检测尺寸



PC安装

| NO | NAME | MATERIAL | QTY | FINISHING | NO | NAME | MATERIAL | QTY | FINISHING |
|----|------|----------|-----|-----------|----|------|----------|-----|-----------|
| 1  | 手柄   | 黄铜       | 1   | 镀铬        | 7  | 动触点  | H65      | 2   | 镀银        |
| 2  | 轴套   | 黄铜       | 1   | 镀铬        | 8  | 端子   | H65      | 6   | 镀银        |
| 3  | 铁盖   | SUS      | 1   | 本色        | 9  | 底座   | PPA      | 1   | 红色        |
| 4  | 弹簧   | 碳钢       | 1   | 黑色        | 10 |      |          |     |           |
| 5  | 摆杆   | SPCC     | 1   | 镀镍        | 11 |      |          |     |           |
| 6  | 滑块   | PA46     | 1   | 白色        | 12 |      |          |     |           |

|  |                                |       |            |
|--|--------------------------------|-------|------------|
| SCALE                                  | 1:1                            | UNIT: | mm         |
| CKD                                    |                                | DWN   | 黄泳何        |
| APVD                                   |                                | DATE  | 2020-12-24 |
| SPECIFICATION NO.                      | YF-ENG-F-31941                 |       |            |
| TITLE                                  | ROCKER AND LEVER HANDLE SWITCH |       |            |
| PART NO.                               | MR-0-202-A01-0000-RS           |       |            |
| MATERIAL NO.                           | SM000692NR                     |       |            |
| 源丰电子公司<br>YUENFUNG ELECTRONICS COMPANY |                                |       |            |



| SPECIFICATION<br>规格书                 |  | WRITTEN 制定: 雷艳平  | 发布日期: 2020/1/4   |
|--------------------------------------|--|--|--|
| MODELSERIESNAME系列名称:                 |  | MINIATURE ROKER AND LEVER HANDLE SWITCH  |  |
| MODEL NO 产品型号:                       |  | MR系列小型摆臂开关   |  |
| 1.RATING 额定值:                        |  | 5A 125VAC 2A 250VAC  |  |
| 2.ELECTRICAL CHARACTERISTICS 电气性能规格: |  |  |  |
| ITEM项目                               | TEST CONDITIONS 测试条件                     |  | PERFORMANCE 表现   |
| 2.1                                  | CONTACT RESISTANCE<br>接触电阻               | MEASURED AT SMALL CURRENT(100mA OR LESS)1000Hz<br>在微小电流(100mA)以下测试.  | 20mΩ MAX<br>20毫欧以下   |
| 2.2                                  | INSULATION RESISTANCE<br>绝缘电阻            | APPLY A VOL TAGE OF 500V DC FOR 1 MIN.TO FOLLOWING PORTIONS AFTER WHICH MEASUREMENT SHALL BE MADE:<br>(1)BETWEEN BODY AND CONDUCTOR.<br>(2)BETWEEN CONDUCTORS NOT TO BE CONTACT.<br>输入500V DC电压1分钟,按以下接触方法测试:<br>(1)接触端子之间.<br>(2)塑胶体与端子之间.  | 1000MΩ MIN<br>1000兆欧以上   |
| 2.3                                  | DIELECTRIC STRENGTH<br>耐电压               | AC1500V ims(50-60Hz)FOR 1 MIN :<br>(1)BETWEEN TERMINALS.<br>(2)BETWEEN INDIVIDUAL TERMINALS AND FRAME.<br>输入AC1500V (50-60Hz)电压1分钟,按以下接触方法测试:<br>(1)接触端子之间.(2)塑胶体与端子之间.  | NO DAMAGE TO PARTS ARCING,OR BREAKDOWN ETC.<br>没有绝缘破坏等异常.  |
| 3                                    | PRACTICAL TEMPERATURE RANGE<br>使用温度范围    | A-25℃~+85℃<br>在-25℃~+85℃温度内使用  |  |
| 4                                    | STANDARD ATMOSPHEIC CONDITIONS<br>测试标准状态 | UNLESS OTHERWISE SPECIFIED. THE STANDARD RANGE OF ATMOSPHERIC CONDITIONS FOR MAKING MEASUREMENTS AS FOLLOWS:<br>(1)AMBIENT TEMPERATURE:5℃TO35℃.<br>(2)RELATIVE HUMIDITY:45%TO85%.<br>在没有指定的情况下测试温度,湿度如下:<br>(1)温度为5℃-35℃.(2)湿度为45%-85%.  |  |
| 5.MECHANICAL CHARACTERISTICS 机械性能规格: |  |  |  |
| 5.1                                  | LIFE TEST<br>寿命测试                        | 1.ENDURANCE WITHOUT LOADING:THE TEST SHOULD BE TAKEN AT A SPEED OF 6-8 CYCLES FOR 1 MIN;1.5 TIMES OF THE STANDARD FORCE<br>无负荷:每分钟6-8回速度测试压力不得超过标准力度1.5倍.进行测试<br>2.ENDURANCE WITH LOADING:<br>THE TEST SHOULD BE TAKEN AT A SPEED OF 6-8 CYCLES FOR 1 MIN;<br>OPERATE PRESSURE SHOULD BE UNDER THE 1.5 TIMES OF THE STANDARD FORCE<br>负荷:在负荷的条件下以每分钟6-8回的速度压力不得超过标准力度1.5倍.进行测试 | (1).40,000CYCLES CONTACT AT WITHOUT LOADING.<br>在无负荷下40,000次接触<br>(2).10,000 CYCLES MECHANICAL AND ELECTRICAL CHARACTERISTICS SHALL BE SATISFIED 10,000次满足于机械, 电器性能; |
| 6.DURABILITY 耐久性:                    |  |  |  |
| ITEM项目                               | TEST CONDITIONS 测试条件                     |  | PERFORMANCE 表现   |
| 6.1                                  | SOLDERABILITY TEST<br>可焊性试验              | THE TOP OF THE TERMINALS SHALL BE DIPPED 2mm IN THE SOLDER BATH OF 230±10℃ FOR 3±0.5 SECONDS.<br>端子顶部被浸入锡焊池中2mm深,温度为230±10℃,时间为3±0.5秒.   | THE AREA OF SOLDERING, SHOULD BE OVER 75%.<br>焊接面积要有75%以上.   |



|     |                                    |   |  |
|-----|------------------------------------|---|--|
| 6.2 | <p>WELDING CONDITIONS<br/>焊接条件</p> | <p>(1) THE TEMPERATURE OF MANUAL WELDING IS CONTROLLED AT <math>350\pm 5^{\circ}\text{C}</math> AND THE TIME IS <math>\leq 3\pm 1</math> SECOND.<br/>         (2) THE TEMPERATURE OF WELDING FURNACE IS CONTROLLED AT <math>260\pm 5^{\circ}\text{C}</math> AND THE WELDING TIME TIME IS <math>\leq 5\pm 1</math> SECOND. NOTE: THE ABOVE MENTIONED CONDITIONS ARE THE TEMPERATURE OF THE PWB SURFACE ON THE PARTS. DUE TO THE DIFFERENT MATERIALS, SIZES AND THICKNESS OF THE PWB, THE TEMPERATURE OBTAINED FROM THE SWITCH SURFACE OF THE PWB WILL VARY GREATLY. THEREFORE, BE CAREFUL NOT TO LET THE TEMPERATURE OF THE SWITCH SURFACE EXCEED <math>260^{\circ}\text{C}</math><br/>         CAUTION: THE CONDITION MENTIONED ABOVE IS A TEMPERATURE ON THE PWB SURFACE ON WHICH PARTS ARE MOUNTED. THERE ARE CASES WHERE PWB TEMPERATURE GREATLY DIFFERS FROM SWITCH'S SURFACE TEMPERATURE DEPENDING ON PWB MATERIAL, SIZE, THICKNESS, ETC. THE SWITCH'S SURFACE TEMPERATURE SHALL NOT ALLOWED TO EXCEED <math>260^{\circ}\text{C}</math><br/>         (3) OTHER PRECAUTIONS ARE AS FOLLOWS:<br/>         1.FOLLOWING THE SOLDERING PROCESS, DO NOT TRY TO CLEAN THE SWITCH WITH A SOLVENT OR THE LIKE.<br/>         2.SAFEGUARD THE SWITCH ASSEMBLY AGAINST FLUX PENETRATION FROM ITS TOPSIDE.<br/>         (1)手工<br/>         焊接的温度控制在<math>350\pm 5^{\circ}\text{C}</math>, 时间<math>\leq 3\pm 1</math>秒<br/>         (2)焊炉焊接的温度控制在<math>260\pm 5^{\circ}\text{C}</math>, 过炉时间为<math>5\pm 1</math>秒。注意: 上述条件为零件上表面的PWB温度, 由于PWB的材料、尺寸、厚度等不同, PWB的开关表面获得的温度会有很大的变化, 因此, 小心不要让开关表面温度超过<math>260^{\circ}\text{C}</math><br/>         (3)其他注意事项:<br/>         1. 进行焊接过程中, 不可以用溶剂或类似品清洗开关<br/>         2. 防止助焊剂从开关的顶端渗入</p> | <p>WITHOUT DEFORMATION OF CASE OR EXCESSIVE LOOSENESS OF TEMINALS ELECTRICAL CHARACTERISTICS SHALL BE SATISFIED.<br/>         本体无变形,能满足于机械,电器性能.</p> |
| 6.3 | <p>HEAT TEST<br/>耐热试验</p>          | <p>THE SWITCH SHALL BE STORED AT A TEMPERATURE OF <math>85\pm 2^{\circ}\text{C}</math> FOR 96 HOURS.THEN THE SWITCH SHALLBE MAINTAINED AT STANDARD ATMOSPHERICCONDITION FOR 1 HOUR AFTER WHICHMEASUREMENT SHALL BE MADE.<br/>         放置在温度<math>85\pm 2^{\circ}\text{C}</math>中测试96小时后,再放置正常室温中1小时来测定.</p>   | <p>THERE SHALL BE NO DEFORMATION OR CRACKSINMOLDED PART<br/>         外观无异常,满足于机械,电器性能.</p>   |
| 6.4 | <p>COLD TEST<br/>耐冷试验</p>          | <p>THE SWITCH SHALL BE STORED AT A TEMPERATURE OF <math>-20\pm 3^{\circ}\text{C}</math> FOR 96 HOURS,THEN THE SWITCH SHALL BE MAINTAINED AT STANDARD ATMOSPHERIC CONDITION FOR 1 HOUR AFTER WHICH MEASUREMENT SHALL BE MADE.<br/>         放置在温度<math>-20\pm 3^{\circ}\text{C}</math>中96小时后,再放置常温中1小时来进行测试.</p>  |  |
| 6.5 | <p>HUMIDITY TEST<br/>潮湿试验</p>      | <p>THE SWITCH SHALL BE STORED AT A TEMPERATURE OF <math>40\pm 2^{\circ}\text{C}</math> AND A HUMIDITY OF 90% TO95% FOR 96 HOURS.THEN THE SWITCH SHALL BE MAINTAINED AT STANDARD ATMOSPHERE CONDITION FOR 1 HOUR AFTER WHICH MEASUREMENT SHALL BE MADE.<br/>         放置<math>40\pm 2^{\circ}\text{C}</math>试验的相对湿度为90%-95%环境中96小时后,再将样板放在正常环境1小时后进行测试.</p>   |  |
| 6.6 | <p>SALT SPRAY TEST<br/>盐雾测试</p>    | <p>TEST ROOM TEMPERATURE <math>26^{\circ}\text{C}</math> / HUMIDITY <math>26^{\circ}\text{C}</math>, PH VALUE 6.2 FOR 12 HOURS WITH 5 % SALT WATER CONCENTRATION AND SALT MIST SETTLING ML/802 CM2H LEVEL 1.5<br/>         以5%盐水浓度、盐雾沉降ml/802cm2h量1.5测试室内温度<math>26^{\circ}\text{C}</math>/湿度<math>26^{\circ}\text{C}</math>、PH值6.2条件下测试12小时</p>  | <p>SALT FOG 12H PRODUCTS WITHOUT ABNORMAL CONDITIONS/TEST PASS REQUIREMENTS<br/>         盐雾12H产品无异常情况/测试通过要求</p>                                     |

## X-ON Electronics

Largest Supplier of Electrical and Electronic Components

*Click to view similar products for [Rocker Switches](#) category:*

*Click to view products by [YUEN FUNG](#) manufacturer:*

Other Similar products are found below :

[LTLA6E-1S-WH-RC-FN12VXCR1](#) [6-1571986-9](#) [8007K26N324V52](#) [8055K23Z7V](#) [8055K32Z7V](#) [8055K52Z7V](#) [8138K20E6M50](#)  
[PREDD4-07F-BB0FW](#) [PREDD5-07F-BB0GW](#) [999-16716-002](#) [A101J1V3Q004](#) [A103J1ZQ004](#) [A201J1AQ004](#) [A201J50ZQ004](#)  
[H8653VBBG2577W](#) [HB130CHNWWNAAC](#) [R13112ABB-602W](#) [1251.0303](#) [1352.0107](#) [1500G51E](#) [1571099-3](#) [1571987-4](#) [1571987-5](#)  
[1571988-5](#) [B123J77V7B2](#) [160212E](#) [1634200-7](#) [1801.1164](#) [PANEL-PLUG-VHP-BLACK](#) [PANEL-PLUG-VHP-WT](#) [K2ABAAAAAA](#)  
[250011E714](#) [2600R21E](#) [260413E](#) [2639LH/2A7/127000L0](#) [LL3AZXX-100-XGT1](#) [LL3AZXX-100-XHS1](#) [LL3AZXX-100-XSD1](#) [30-695B](#)  
[160311E](#) [A103J3ZQ004](#) [A201J61ZQ0004](#) [1852.1102](#) [1890.1104](#) [191.081.011](#) [AE107J1AQ004](#) [1935.3128](#) [1935.3133](#) [1MR7-B](#)  
[SY236CD6U622](#)