



承認書

SPECIFICATION FOR APPROVAL

客戶名稱及編號:

K4625

CUSTOMER:

產品名稱:

TOGGLE SWITCH

DESCRIPTION:

產品型號:

MT-0-102-E001-T000-RS+PJ

MODEL NO:

本司料號:

SM00530ZNR+PJ

OUR PART NO:

客戶料號:

C1788499

CUSTOMER PART NO:

承認書編號:

YF-ENG-F-31938

SPECIFICATION NO:

日期:

2020-12-22

DATE:

WRITTEN 制定: 雷艳平

APPROVAL 審核:

承認書附頁: 圖紙,規格書

客戶承認欄

CUSTOMER APPROVAL SIGNATURE

MODEL NO.:

APPROVED NO.:

PART NO.:

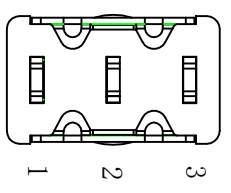
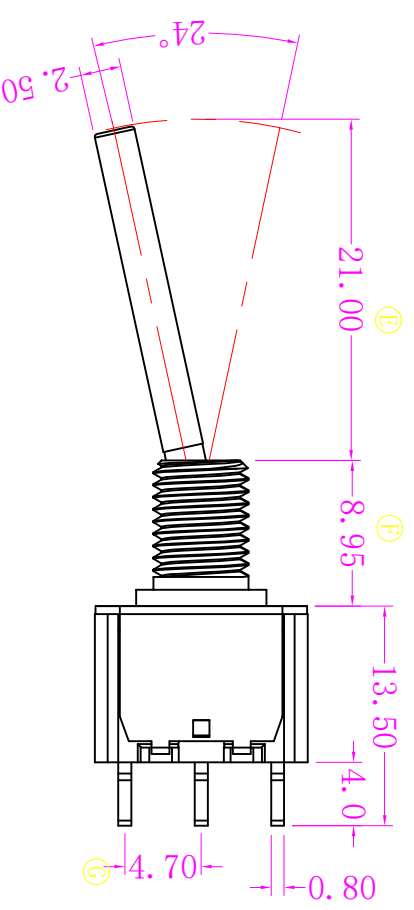
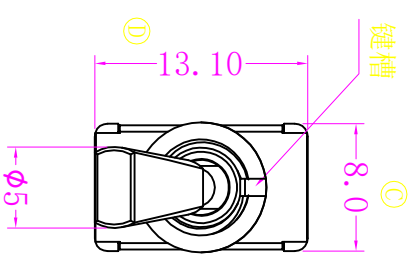
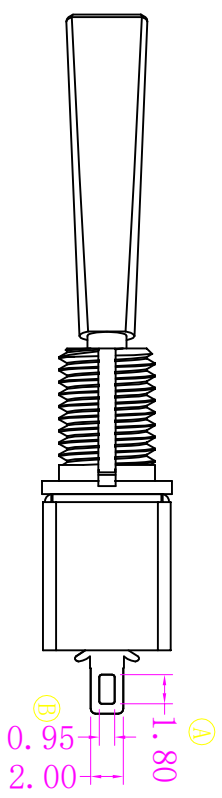
DATE:



深圳市寶安區福永鎮鳳凰社區錦灝大廈 1120

Tel:0755-33809280~3Fax:0755-33809285

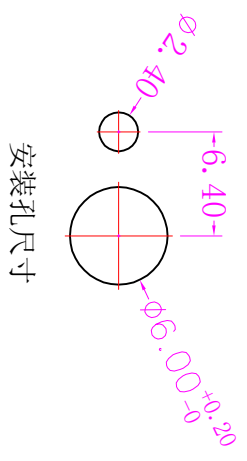
自由公差		公差
区分	类别	
0	<0.5	±0.1
0.50	<5	±0.1
5.0	<10	±0.2
10.0	<20	±0.3
20.0	<50	±0.4
未标注R角		R0.2
未标注角度公差		±1°



手柄位置及导通端子示意图

Model NO.	POS.		
	POS. 1	POS. 2	POS. 3
102	ON	NONE	ON
SCHEMATIC		NONE	

标注: (A) - (G) 为重点检测尺寸



安装孔尺寸

NO	NAME	MATERIAL	QTY	FINISHING	NO	NAME	MATERIAL	QTY	FINISHING
1	手柄	锌合金	1	镀铬	7	动触片	H65	1	镀银
2	轴套	锌合金	1	镀镍	8	端子	H65	3	镀银
3	铁盖	SUS	1	本色	9	底座	PPA	1	红色
4	弹簧	碳钢	1	黑色	10				
5	摆杆	SPCC	1	镀镍	11				
6	滑块	PA46	1	黑色	12				

SCALE	1:1	UNIT:	mm
CKD		DWN	黄泳何
APVD		DATE	2020-12-24
SPECIFICATION NO.	YF-ENG-F-31.938		
TITLE	TOGGLE SWITCH		
PART NO.	MT-0-102-E001-T000-RS		
MATERIAL NO.	SM00530ZNR		



SPECIFICATION 规格书		WRITTEN 制定: 雷艳平	发布日期: 2020/1/4
MODEL SERIES NAME 系列名称:		MINIATURE TOGGLE SWITCH	
MODEL NO 产品型号:		MT系列小型钮子开关	
1.RATING 额定值:		5A 125VAC 2A 250VAC	
2.ELECTRICAL CHARACTERISTICS 电气性能规格:			
ITEM 项目	TEST CONDITIONS 测试条件		PERFORMANCE 表现
2.1	CONTACT RESISTANCE 接触电阻	MEASURED AT SMALL CURRENT(100mA OR LESS)1000Hz 在微小电流(100mA)以下测试.	20m Ω MAX 20毫欧以下
2.2	INSULATION RESISTANCE 绝缘电阻	APPLY A VOLTAGE OF 500V DC FOR 1 MIN.TO FOLLOWING PORTIONS AFTER WHICH MEASUREMENT SHALL BE MADE: (1)BETWEEN BODY AND CONDUCTOR. (2)BETWEEN CONDUCTORS NOT TO BE CONTACT. 输入500V DC电压1分钟,按以下接触方法测试: (1)接触端子之间. (2)塑胶体与端子之间.	1000M Ω MIN 1000兆欧以上
2.3	DIELECTRIC STRENGTH 耐电压	AC1500V rms(50-60Hz)FOR 1 MIN : (1)BETWEEN TERMINALS. (2)BETWEEN INDIVIDUAL TERMINALS AND FRAME. 输入AC1500V (50-60Hz)电压1分钟,按以下接触方法测试: (1)接触端子之间.(2)塑胶体与端子之间.	NO DAMAGE TO PARTS ARCING,OR BREAKDOWN ETC. 没有绝缘破坏等异常.
3	PRACTICAL TEMPERATURE RANGE 使用温度范围	A-25 $^{\circ}$ C~+85 $^{\circ}$ C 在-25 $^{\circ}$ C~+85 $^{\circ}$ C温度内使用	
4	STANDARD ATMOSPHERIC CONDITIONS 测试标准状态	UNLESS OTHERWISE SPECIFIED. THE STANDARD RANGE OF ATMOSPHERIC CONDITIONS FOR MAKING MEASUREMENTS AS FOLLOWS: (1)AMBIENT TEMPERATURE:5 $^{\circ}$ C TO 35 $^{\circ}$ C. (2)RELATIVE HUMIDITY:45% TO 85%. 在没有指定的情况下测试温度,湿度如下: (1)温度为5 $^{\circ}$ C-35 $^{\circ}$ C.(2)湿度为45%-85%.	
5.MECHANICAL CHARACTERISTICS 机械性能规格:			
5.1	LIFE TEST 寿命测试	1.ENDURANCE WITHOUT LOADING:THE TEST SHOULD BE TAKEN AT A SPEED OF 6-8 CYCLES FOR 1 MIN;1.5 TIMES OF THE STANDARD FORCE 无负荷:每分钟6-8回速度测试压力不得超过标准力度1.5倍.进行测试 2.ENDURANCE WITH LOADING: THE TEST SHOULD BE TAKEN AT A SPEED OF 6-8 CYCLES FOR 1 MIN; OPERATE PRESSURE SHOULD BE UNDER THE 1.5 TIMES OF THE STANDARD FORCE 负荷:在负荷的条件下以每分钟6-8回的速度压力不得超过标准力度1.5倍.进行测试	(1).40,000CYCLES CONTACT AT WITHOUT LOADING. 在无负荷下40,000次接触 (2).10,000 CYCLES MECHANICAL AND ELECTRICAL CHARACTERISTICS SHALL BE SATISFIED 10,000次满足于机械,电器性能:
6.DURABILITY 耐久性:			
ITEM 项目	TEST CONDITIONS 测试条件		PERFORMANCE 表现
6.1	SOLDERABILITY TEST 可焊性试验	THE TOP OF THE TERMINALS SHALL BE DIPPED 2mm IN THE SOLDER BATH OF 230 \pm 10 $^{\circ}$ C FOR 3 \pm 0.5 SECONDS. 端子顶部被浸入锡焊池中2mm深,温度为230 \pm 10 $^{\circ}$ C,时间为3 \pm 0.5秒.	THE AREA OF SOLDERING, SHOULD BE OVER 75%. 焊接面积要有75%以上.



<p>6.2</p>	<p>WELDING CONDITIONS 焊接条件</p>	<p>(1) THE TEMPERATURE OF MANUAL WELDING IS CONTROLLED AT 350±5 °C AND THE TIME IS ≤3±1 SECOND. (2) THE TEMPERATURE OF WELDING FURNACE IS CONTROLLED AT 260 ±5°C AND THE WELDING TIME TIME IS ≤5±1 SECOND. NOTE: THE ABOVE MENTIONED CONDITIONS ARE THE TEMPERATURE OF THE PWB SURFACE ON THE PARTS. DUE TO THE DIFFERENT MATERIALS, SIZES AND THICKNESS OF THE PWB, THE TEMPERATURE OBTAINED FROM THE SWITCH SURFACE OF THE PWB WILL VARY GREATLY. THEREFORE, BE CAREFUL NOT TO LET THE TEMPERATURE OF THE SWITCH SURFACE EXCEED 260 °C CAUTION: THE CONDITION MENTIONED ABOVE IS A TEMPERATURE ON THE PWB SURFACE ON WHICH PARTS ARE MOUNTED. THERE ARE CASES WHERE PWB TEMPERATURE GREATLY DIFFERS FROM SWITCH'S SURFACE TEMPERATURE DEPENDING ON PWB MATERIAL, SIZE, THICKNESS, ETC. THE SWITCH'S SURFACE TEMPERATURE SHALL NOT ALLOWED TO EXCEED 260 °C (3) OTHER PRECAUTIONS ARE AS FOLLOWS: 1.FOLLOWING THE SOLDERING PROCESS, DO NOT TRY TO CLEAN THE SWITCH WITH A SOLVENT OR THE LIKE. 2.SAFEGUARD THE SWITCH ASSEMBLY AGAINST FLUX PENETRATION FROM ITS TOPSIDE. (1)手工焊接的温度控制在350±5℃，时间≤3±1秒 1. 进行焊接过程中，不可以用溶剂或类似品清洗开关 2. 防止助焊剂从开关的顶端渗入</p>	<p>WITHOUT DEFORMATION OF CASE OR EXCESSIVE LOOSENESS OF TEMINALS ELECTRICAL CHARACTERISTICS SHALL BE SATISFIED. 本体无变形,能满足于机械,电器性能.</p>
<p>6.3</p>	<p>HEAT TEST 耐热试验</p>	<p>THE SWTICH SHALL BE STORED AT A TEMPERATURE OF 85±2°C FOR 96 HOURS.THEN THE SWITCH SHALLBE MAINTAINED AT STANDARD ATMOSPHERICCONDITION FOR 1 HOUR AFTER WHICHMEASUREMENT SHALL BE MADE. 放置在温度85±2℃中测试96小时后,再放置正常室温中1小时来测定.</p>	<p>THERE SHALL BE NO DEFORMATION OR CRACKSINMOLDED PART 外观无异常,满足于机械,电器性能.</p>
<p>6.4</p>	<p>COLD TEST 耐冷试验</p>	<p>THE SWITCH SHALL BE STORED AT A TEMPERATURE OF -20±3°C FOR 96 HOURS,THEN THE SWITCH SHALL BE MAINTAINED AT STANDARD ATMOSPHERIC CONDITION FOR 1 HOUR AFTER WHICH MEASUREMENT SHALL BE MADE. 放置在温度-20±3℃中96小时后,再放置常温中1小时来进行测试.</p>	
<p>6.5</p>	<p>HUMIDITY TEST 潮湿试验</p>	<p>THE SWITCH SHALL BE STORED AT A TEMPERATURE OF 40±2°C AND A HUMIDITY OF 90%TO95% FOR 96 HOURS.THEN THE SWITCH SHALL BE MAINTAINED AT STANDARD ATMOSPHERE CONDITION FOR 1 HOUR AFTER WHICH MEASUREMENT SHALL BE MADE. 放置40±2℃试验的相对湿度为90%-95%环境中96小时后,再将样板放在正常环境1小时后进行测试.</p>	
<p>6.6</p>	<p>SALT SPRAY TEST 盐雾测试</p>	<p>TEST ROOM TEMPERATURE 26 °C / HUMIDITY 26 °C, PH VALUE 6.2 FOR 12 HOURS WITH 5 % SALT WATER CONCENTRATION AND SALT MIST SETTLING ML/802 CM2H LEVEL 1.5 5%盐水浓度、盐雾沉降ml/802cm2h量1.5测试室内温度26℃/湿度26℃、PH值6.2条件下测试12小时</p>	<p>SALT FOG 12H PRODUCTS WITHOUT ABNORMAL CONDITIONS/TEST PASS REQUIREMENTS 盐雾12H产品无无异常情况/测试通过要求</p>

X-ON Electronics

Largest Supplier of Electrical and Electronic Components

Click to view similar products for [Toggle Switches](#) category:

Click to view products by [YUEN FUNG](#) manufacturer:

Other Similar products are found below :

[8928K478](#) [8951K2998](#) [8951K3310](#) [8956K1283](#) [8956K1285](#) [8956K1286](#) [8956K1287](#) [8961K155](#) [8A1-C-222](#) [020017-13](#) [0090-0001](#) [0121-0015](#) [CS115W](#) [CS120W](#) [CS215I](#) [CS8275](#) [637H/25](#) [6663](#) [7101SPDV30BE](#) [7103SDV30BE](#) [7105D](#) [7108P3YAV2BE](#) [71YY50282](#) [7209SY9AQE](#) [7209SYCBE](#) [7300K36](#) [7301K38](#) [7301SS24484](#) [7303KZQE](#) [7306K36](#) [7503K21](#) [7565K6](#) [7595K6](#) [7660K12](#) [7691K14](#) [7704K3](#) [8391K108](#) [8811K17](#) [8825K5](#) [8828K13](#) [8835K3](#) [8858K44](#) [8E4011](#) [1202W](#) [A201SCWZB04](#) [A207SYCB04](#) [A208J61ZQ0004](#) [A221T1TCQ](#) [A232M1YCQ](#) [A323S1CWZQ](#)