



specification

SHEET FOR APPROVAL

Part Name: electro-piezo buzzer

Type: YX-YD3015

Customer Name: _____

Number of the Edition: _____



	Approved by	Checked by	Issued by
Signature			
Date			

Yue Xin Electronics Co., Ltd.
 Add: People Industrial Park Chen Bao Town Xinghua City Jiangsu province China
 Tel: +86 0523 83722059 Fax: +86 0523 83722259
 Web: www.xhyxdz.com



piezoelectric buzzer

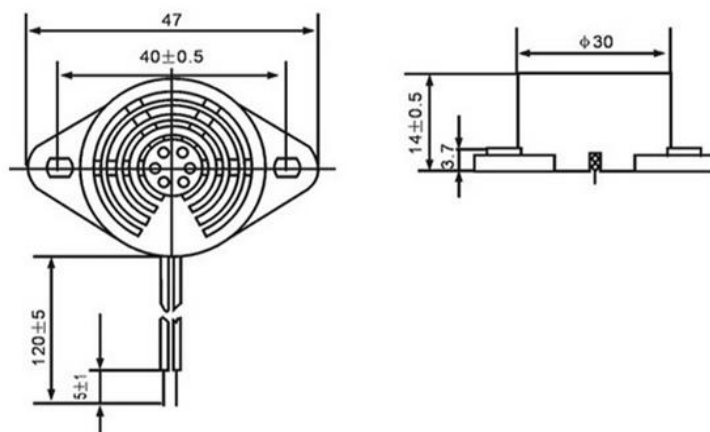
YX-YD3015



Electrical Characteristics

Type	Unit	YX-YD3015
Rated Voltage	V	12
Operating Voltage	V	3-24
Rated Current	m A	20Max. at 12VDC
Min Sound Output at 10cm	dB	≥90
Resonant Frequency	Hz	3000±500
Operating Temperature	°C	-20~+60
Storage Temperature	°C	-30~+70
Housing Material		ABS

Appearance Drawing (UNT: mm) Tolerance: ±0.5mm Except Specified



Yue Xin Electronics Co., Ltd.

Add: People Industrial Park Chen Bao Town Xinghua City Jiangsu province China

Tel: +86 0523 83722059 Fax: +86 0523 83722259

Web: www.xhyxdz.com

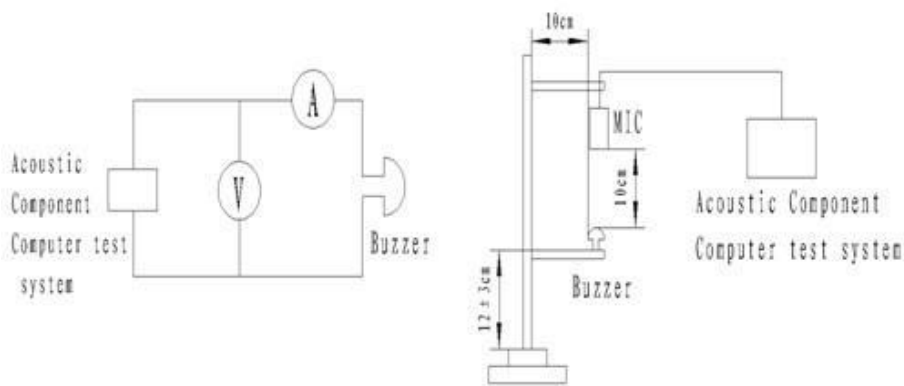


piezoelectric buzzer

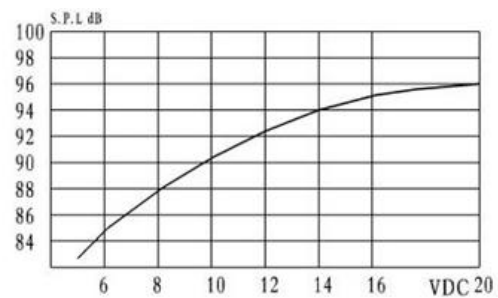
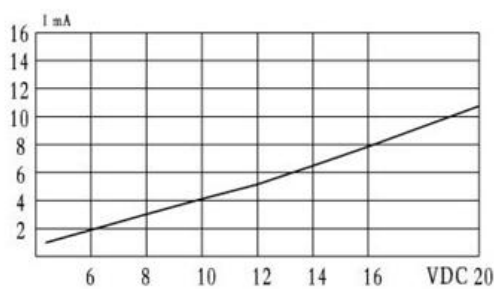
YX-YD3015



Testing Method:



Frequency Response:



Yue Xin Electronics Co., Ltd.

Add: People Industrial Park Chen Bao Town Xinghua City Jiangsu province China

Tel: +86 0523 83722059 Fax: +86 0523 83722259

Web: www.xhyxdz.com

X-ON Electronics

Largest Supplier of Electrical and Electronic Components

Click to view similar products for [Piezo Buzzers & Audio Indicators](#) category:

Click to view products by [YUEXIN](#) manufacturer:

Other Similar products are found below :

[6-4](#) [68S1240-PA](#) [ESZ-26B](#) [FDG06PSLLF](#) [F/DGX12P WITH LABEL LF](#) [PF-35N29WQ](#) [PFD-21A29W](#) [PFD-27A35PQ](#) [PL-21N30WQ](#) [PL-27A35PSQ](#) [PLD-21N30W](#) [PLD-21N30WQ](#) [PS-531Q](#) [PT-3534FP](#) [B822B](#) [B/CP28/100DB/BLACK LF](#) [S6109](#) [SC110E](#) [SC2036ACP](#) [SC616N-2](#) [SC628FW](#) [SC628MPG](#) [SC648D](#) [SCS045MD9DT3S](#) [ESZ-25B-5-250B](#) [ESZ-25S](#) [F/BC 35-DR LF](#) [FCM12PLF](#) [SSX-52SA](#) [F/EB20P-DR LF](#) [AI-4228-TF-LW305-R](#) [FSMD8585JSLF](#) [F/TCW 05 WITH LABEL LF](#) [PFD-27N36W](#) [PKM35-4A0](#) [PL-35N29WQ](#) [PLD-27A35PQ](#) [PS-552Q](#) [CM-5](#) [REF-202](#) [B/SE 128 RED LF](#) [KBS-20DA-7AS](#) [KBS-27DA-5C-105](#) [LSC628ANR](#) [03-810.001](#) [RTO-1R07-001](#) [PL-21N31PQ](#) [F-B-P1405ISB LF](#) [F/DGX 05P WITH LABEL LF](#) [MSR516NP](#)