



# specification

## SHEET FOR APPROVAL

Part Name: electro-piezo buzzer

Type: YX-YD3015

Customer Name: \_\_\_\_\_

Number of the Edition: \_\_\_\_\_



	Approved by	Checked by	Issued by
Signature			
Date			

**Yue Xin Electronics Co., Ltd.**

**Add:** People Industrial Park Chen Bao Town Xinghua City Jiangsu province China  
**Tel:** +86 0523 83722059 **Fax:**+86 0523 8372259  
**Web:** [www.xhyxdz.com](http://www.xhyxdz.com)



# piezoelectric buzzer

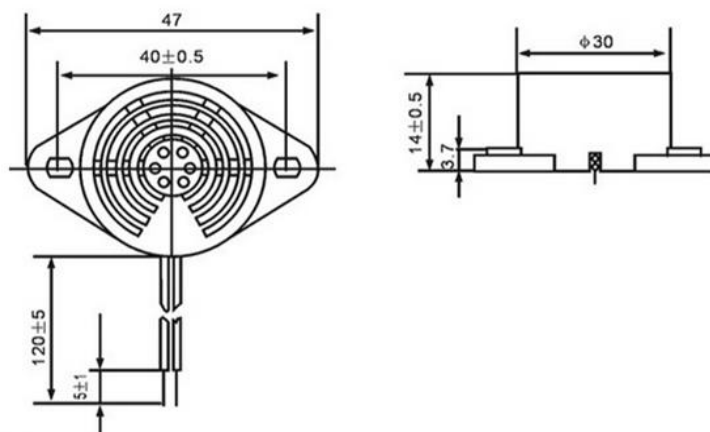
## YX-YD3015



### Electrical Characteristics

Type	Unit	YX-YD3015
Rated Voltage	V	12
Operating Voltage	V	3-24
Rated Current	m A	20Max. at 12VDC
Min Sound Output at 10cm	dB	≥90
Resonant Frequency	Hz	3000±500
Operating Temperature	°C	-20~+60
Storage Temperature	°C	-30~+70
Housing Material		ABS

### Appearance Drawing (UNT: mm) Tolerance: ±0.5mm Except Specified



#### Yue Xin Electronics Co., Ltd.

Add: People Industrial Park Chen Bao Town Xinghua City Jiangsu province China

Tel: +86 0523 83722059 Fax: +86 0523 83722259

Web: [www.xhyxdz.com](http://www.xhyxdz.com)

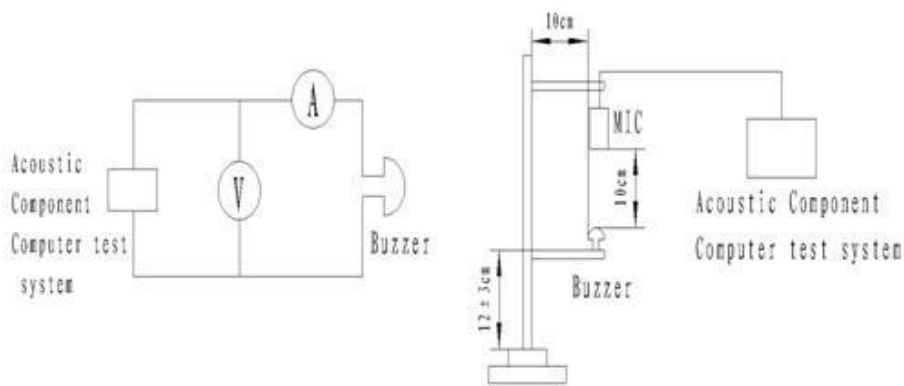


# piezoelectric buzzer

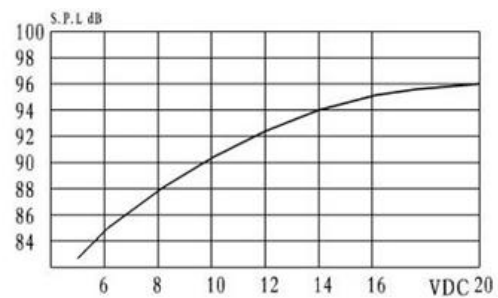
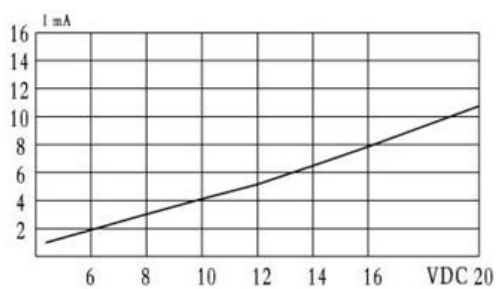
## YX-YD3015



### Testing Method:



### Frequency Response:



### Yue Xin Electronics Co., Ltd.

Add: People Industrial Park Chen Bao Town Xinghua City Jiangsu province China

Tel: +86 0523 83722059 Fax: +86 0523 83722259

Web: [www.xhyxdz.com](http://www.xhyxdz.com)

## X-ON Electronics

Largest Supplier of Electrical and Electronic Components

*Click to view similar products for [Piezo Buzzers & Audio Indicators](#) category:*

*Click to view products by [YUEXIN](#) manufacturer:*

Other Similar products are found below :

[PFD-21A29W](#) [PLD-21N30W](#) [REM-6027F-1.5](#) [RH1020C-010-NFP-G-NL](#) [PFD-27N36W](#) [KBS-20DA-7AS](#) [KBS-27DA-5C-105](#)  
[RFS5015382PNL](#) [MSR516NP](#) [DMT-1606S-NL](#) [OMT112](#) [SCE016SD3CM4B](#) [DMT-09-1-4B-NL](#) [HBO0302C-58/1248](#) [AT-3045-TF-LW110-R](#) [SMA-17-S](#) [BMS3650L-LF](#) [SMT-0540-T-7-R](#) [SMT-0540-T-2-R](#) [AT-0927-TT-2-R](#) [AT-2310-T-LW100-R](#) [SMI-1324-TW-5V-4-R-T/R](#)  
[SC0715BL](#) [AI-1027-TWT-5V-R](#) [SC235AF](#) [SMT-0827-TW-5V-R](#) [AT-2830-TWT-R](#) [AT-1220-TT-5-R](#) [AT-1220-TT-10-R](#) [AT-1127-ST-2-R](#)  
[AT-1220-TWT-5V-R](#) [AT-1750-TFL-LW95-R](#) [AI-2437-TWT-R](#) [SMT-1427-S-R](#) [SMT-1127-S-R](#) [AI-3245-TF-LW95-R](#) [AI-2438-TT-R](#)  
[AB2040B](#) [SMI-1324-TW-3V-R](#) [SMT-1324-TW-5V-R](#) [AT-2429-TWT-R](#) [AI-1223-TWT-12V-3-R](#) [AI-1440-TWT-24V-2-R](#) [AB4113B](#) [AI-1223-TWT-5V-4-R](#) [X-4028-P-C32-R](#) [AI-2304-TF-LW120-12V-R](#) [AI-4329-P-SP28-R](#) [XL-5020-TF-LW150-S-R](#) [SMA-30-P17.5](#)