



SPECIFICATION

SHEET FOR APPROVAL

Part Name: _____ magnetic sounder _____

Type: _____ YX5020P _____

Customer Name: _____

Number of the Edition: _____



	Approved by	Checked by	Issued by
Signature			
Date			

Yue Xin Electronics Co., Ltd.

Add: People Industrial Park Chen Bao Town Xinghua City Jiangsu province China

Tel: +86 0523 83722059 **Fax:** +86 0523 83722259

Web: www.xhyxdz.com



Magnetic Sounder

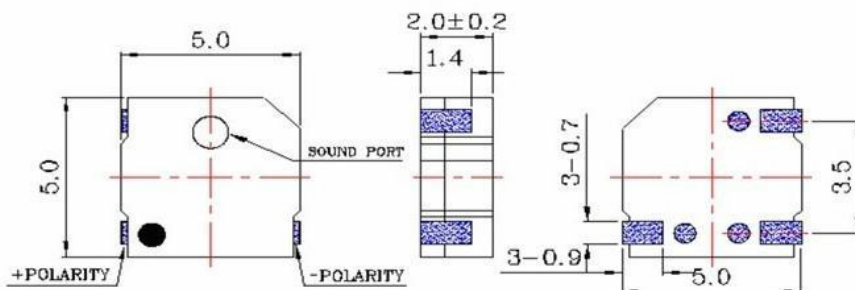
YX5020P



Electrical Characteristics

Model No.	Unit	YX5020P
Rated Voltage	Vo-p	3
Operating Voltage	Vo-p	2~4
Rated Current	mA	≤100
Min. Sound Output at 10cm	dB	≥75
Coil Resistance	Ω	12±3
Resonant Frequency	Hz	4000
Operating Temperature	°C	-30~+70
Storage Temperature	°C	-40~+85
Weight(MAX)	gram	0.6
Environmental Protection Regulation		RoHS

Dimensions : (Unit: mm Tol :±0.5)



Yue Xin Electronics Co., Ltd.

Add: People Industrial Park Chen Bao Town Xinghua City Jiangsu province China

Tel: +86 0523 83722059 Fax: +86 0523 83722259

Web: www.xhyxdz.com

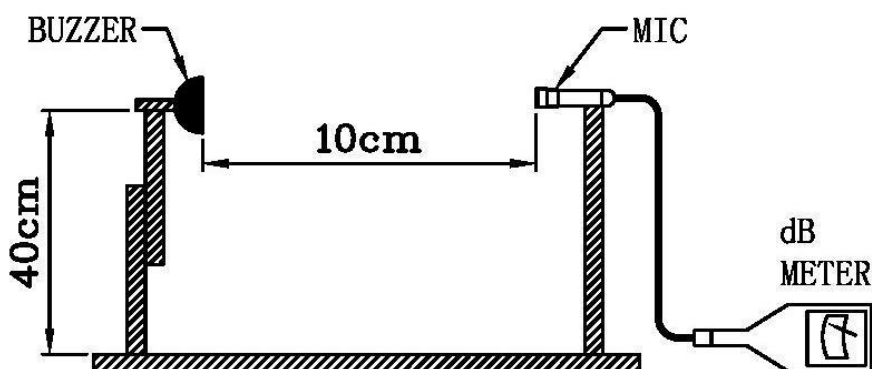
Magnetic Sounder

Testing Method:

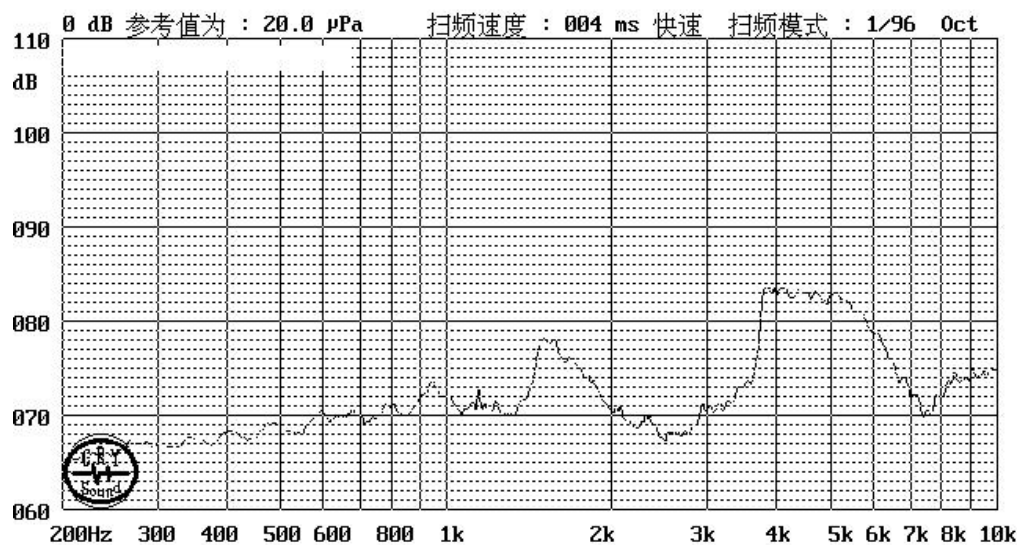
Standard Measurement: Temperature: $25 \pm 2^\circ\text{C}$ Humidity: 45-65%

Acoustic Characteristics:

The oscillation frequency, current consumption and sound pressure are measured by the measuring instruments shown below



Frequency Response :



Yue Xin Electronics Co., Ltd.

Add: People Industrial Park Chen Bao Town Xinghua City Jiangsu province China

Tel: +86 0523 83722059 Fax: +86 0523 83722259

Web: www.xhyxdz.com

X-ON Electronics

Largest Supplier of Electrical and Electronic Components

Click to view similar products for [Standard Clock Oscillators](#) category:

Click to view products by [YUEXIN](#) manufacturer:

Other Similar products are found below :

[601252](#) [F335-25](#) [F535L-33.333](#) [F535L-50](#) [ASV-20.000MHZ-LR-T](#) [MXO45HS-2C-66.6666MHZ](#) [SiT1602BI-22-33E-50.000000E](#)
[SiT8209AI-32-33E-125.000000](#) [SIT8918AA-11-33S-50.000000G](#) [SM4420TEV-40.0M-T1K](#) [F335-24](#) [F335-40](#) [F535L-10](#) [F535L-12](#) [F535L-](#)
[16](#) [F535L-24](#) [F535L-27](#) [F535L-48](#) [PE7744DW-100.0M](#) [ASF1-3.686MHZ-N-K-S](#) [ASV-4.000MHZ-LCS-T](#) [XLH735025.000JU4I8](#)
[XLP725125.000JU6I8](#) [XO57CTECNA3M6864](#) [ECS-2100A-147.4](#) [601251](#) [EP16E7E2H26.000MTR](#) [SiT8503AI-18-33E-0.200000X](#)
[SIT8918AA-11-33S-16.000000G](#) [SIT9122AI2C233E300.000000X](#) [XO37CTECNA20M](#) [XO3003](#) [9120AC-2D2-33E212.500000](#) [9102AI-](#)
[243N25E100.00000](#) [8208AC-82-18E-25.00000](#) [ASDK2-32.768KHZ-LR-T3](#) [8008AI-72-XXE-24.545454E](#) [8004AC-13-33E-133.33000X](#) [AS-](#)
[4.9152-16-SMD-TR](#) [ASFL1-48.000MHZ-LC-T](#) [632L3I004M00000](#) [SIT8920AM-31-33E-25.0000](#) [DSC1028DI2-019.2000](#) [9121AC-2C3-](#)
[25E100.00000](#) [9102AI-233N33E100.00000X](#) [9102AI-233N25E200.00000](#) [9102AI-232H25S125.00000](#) [9102AI-133N25E200.00000](#) [9102AC-](#)
[283N25E200.00000](#) [9001AC-33-33E1-30.000](#)