



specification

SHEET FOR APPROVAL

Part Name: YX9650S

Type: Magnetic Sounder

Customer Name: _____

Number of the Edition: _____



	Approved by	Checked by	Issued by
Signature			
Date			

Yue Xin Electronics Co., Ltd.

Add: People Industrial Park Chenbao Town Xinghua City Jiangsu province China

Tel: +86 0523 83722059 Fax: +86 0523 8372259

Mob: +8615952695023 Mail: anna@xhyxdz.com

Web: www.xhyxdz.com



Magnetic Sounder

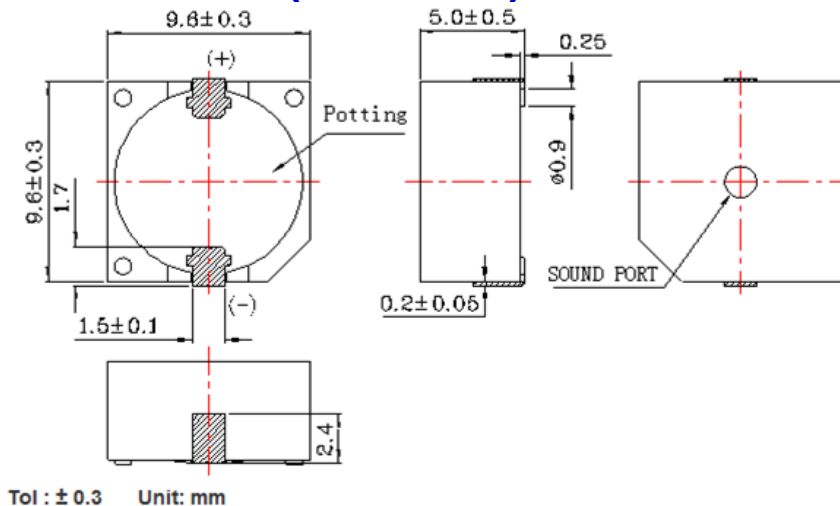
YX9650S



Electrical Characteristics

Model No.	Unit	YX9650S
Rated Voltage	Vo-p	5
Operating Voltage	Vo-p	4~7
Rated Current	mA	30
Min. Sound Output at 10cm	dB	≥80
Resonant Frequency	Hz	2700 ± 300
Operating Temperature	°C	-30~+70
Storage Temperature	°C	-40~+85
Dimension	mm	8.5×8.5×4
Weight(MAX)	gram	1.5
Housing Material		LCP(Black)
Lead Pin Material		Red Copper (DSn)
Environmental Protection Regulation		RoHS
Storage life	month	6 months preservation at room temp.

Dimensions : (Unit: mm)



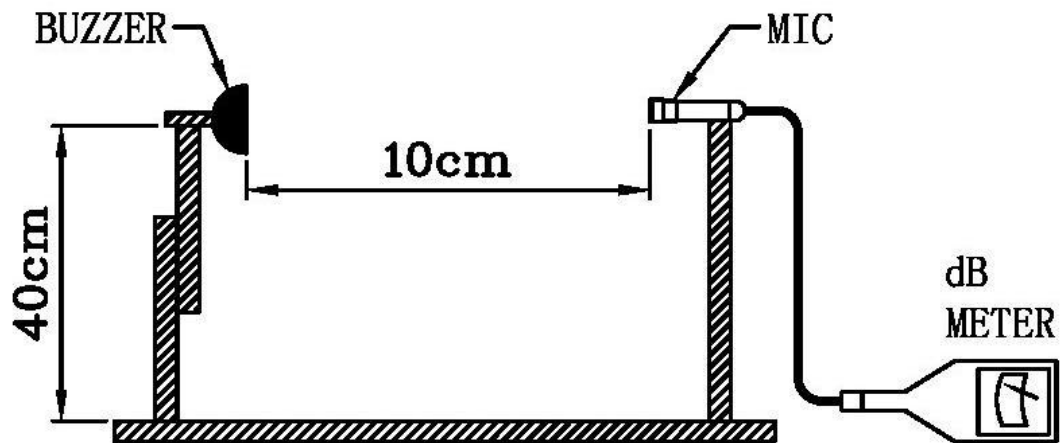
A: TESTING METHOD

Standard Measurement :

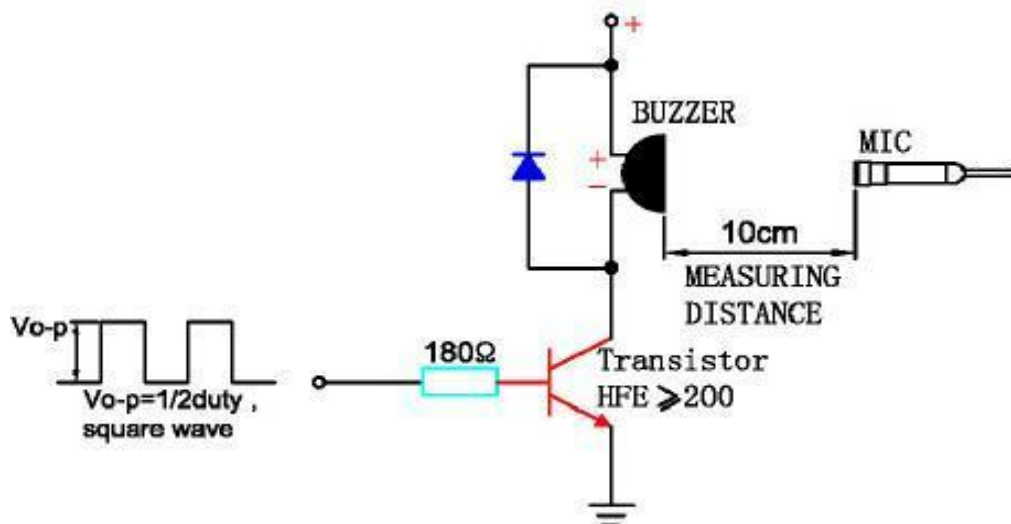
Temperature: $25 \pm 2^\circ\text{C}$ Humidity: 60%-70%

Acoustic Characteristics:

The oscillation frequency, current consumption and sound pressure are measured by the measuring instruments shown below



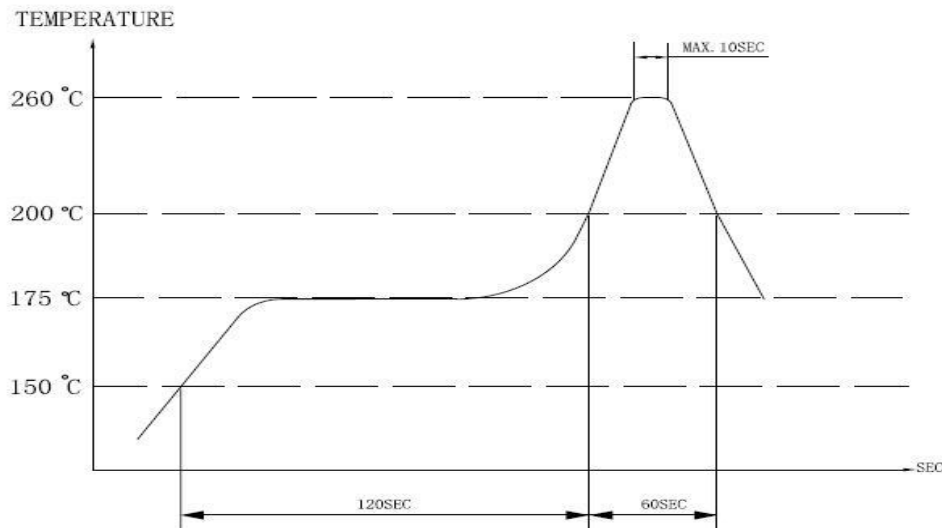
In the measuring test, buzzer is placed as follows:



B: SOLDERING CONDITION

(1) Recommendable reflow soldering condition is as follows (Reflow soldering is twice)

Note: It is requested that reflow soldering should be executed after heat of product goes down to normal.



Heat resistant line

Used when heat resistant reliability test is performed

(2) Manual soldering

Manual soldering temperature 350 °C within 5 sec

C. MECHANICAL CHARACTERISTICS

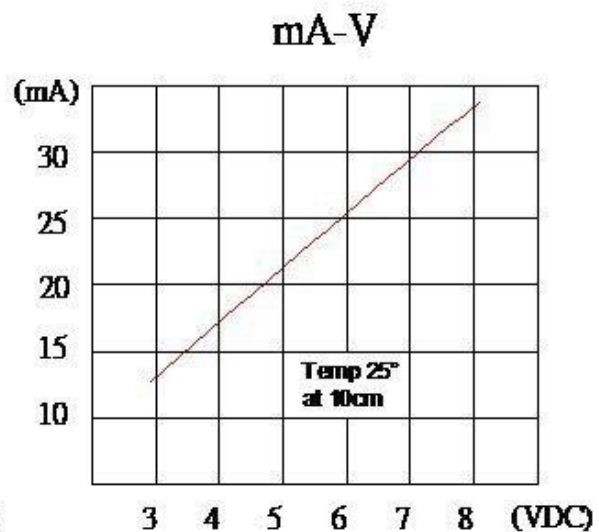
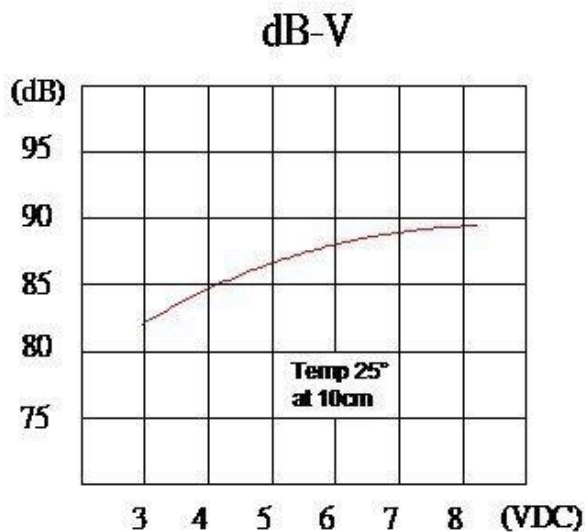
NO.	item	Test Condition	Evaluation standard
1	Solder ability	Lead terminals are immersed in rosin for 5 seconds and then immersed in solder bath of +270±5 for 3±1 seconds.	90% min. lead terminals shall be wet with solder. (Except the edge of terminal)
2	Soldering Heat Resistance	Lead terminal are immersed up to 1.5mm from sounder's body in solder bath of +300±5 for 3±0.5 seconds or +260±5 for 10±1 seconds	No interference in operation
3	Terminal Mechanical Strength	The force 10 seconds of 9.8N (1.0kg) is applied to each terminal in axial direction.	No damage and cutting off
4	Vibration	Buzzer shall be measured after being applied vibration of amplitude of 0.75mm with 10 to 55hz band of vibration frequency to each of 3per-pendicular directions for 0.5 hours.	The value of oscillation frequency/ current consumption should be in 10% compared with initial ones .The SPL should be
5	Drop test	The part only shall be dropped from a height of 70cm onto a 10mm thick wooden board 3 times in 3 axes (X.Y.Z). (a total of 9 times).	in ± 10dB compared with initial one.

D. ENVIRONMENT TEST

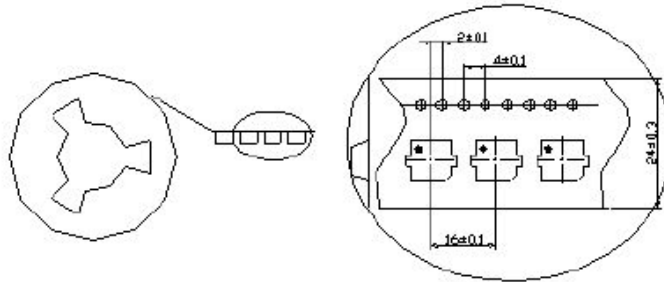
NO.	item	Test Condition	Evaluation standard
1	High temp. test	After being placed in a chamber at +80 for 96 hours	Being placed for 4 hours at +25 , buzzer shall be measured. The value of oscillation frequency/ current consumption should be in $\pm 10\%$ compared with initial ones .The SPL should be in $\pm 10\text{dB}$ compared with initial one.
2	Low temp. test	After being placed in a chamber with -30 for 96 hours	
3	Humidity test	After being placed in a chamber at +40 and 90 5% relative humidity for 96 hours	
4	Temp. cycle test	The part shall be subjected to 5 cycles. One cycle shall be consist of: <div style="text-align: center;"> </div>	

F.FREQUENCY RESPONSE:

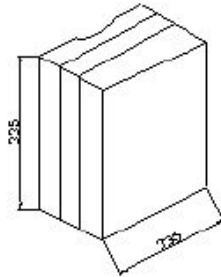
Applied voltage: 5.0Vp-p, square wave: 1/2 duty Distance for measurement: 10cm with recommended cavity



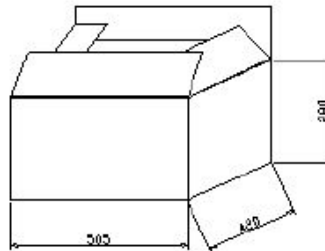
G. PACKING FORMAT (UNIT: mm)



750PCS/CARRUER REEK; 每卷装750只



5ROLL CARRIER REEL/INNER BOX; 5卷放一小包装



7500PCS/CTN 每箱放1500只

Yue Xin Electronics Co., Ltd.

Add: People Industrial Park Chenbao Town Xinghua City Jiangsu province China

Tel: +86 0523 83722059 Fax: +86 0523 83722259

Mob: +86 15952695023 Mail: anna@xhyxdz.com

Web: www.xhyxdz.com

X-ON Electronics

Largest Supplier of Electrical and Electronic Components

Click to view similar products for [Standard Clock Oscillators](#) category:

Click to view products by [YUEXIN](#) manufacturer:

Other Similar products are found below :

[EP1400SJTSC-125.000M](#) [601137](#) [601252](#) [CSX750FBC-24.000M-UT](#) [CSX750FBC-33.333M-UT](#) [CSX750FCC-3.6864M-UT](#) [F335-12](#) [F335-25](#) [F535L-50](#) [DSC506-03FM2](#) [ASA-20.000MHZ-L-T](#) [ASA-25.000MHZ-L-T](#) [ASA-27.000MHZ-L-T](#) [ASV-20.000MHZ-LR-T](#) [ECS-2018-160-BN-TR](#) [EL13C7-H2F-125.00M](#) [MXO45HS-2C-66.6666MHZ](#) [NBXDBB017LN1TAG](#) [NBXHBA019LN1TAG](#) [SiT1602BI-22-33E-50.000000E](#) [SIT8003AC-11-33S-2.04800X](#) [SiT8256AC-23-33E-156.250000X](#) [SIT8918AA-11-33S-50.000000G](#) [SM4420TEV-40.0M-T1K](#) [SMA4306-TL-H](#) [F335-24](#) [F335-40](#) [F335-50](#) [F535L-10](#) [F535L-12](#) [F535L-16](#) [F535L-24](#) [F535L-27](#) [F535L-48](#) [PE7744DW-100.0M](#) [CSX750FBC-20.000M-UT](#) [CSX-750FBC33333000T](#) [CSX750FBC-4.000M-UT](#) [CSX750FBC-7.3728M-UT](#) [CSX750FBC-8.000M-UT](#) [CSX-750FCC14745600T](#) [CSX750FCC-16.000M-UT](#) [CSX-750FCC40000000T](#) [CSX750FCC-4.000M-UT](#) [ASA-22.000MHZ-L-T](#) [ASA2-26.000MHZ-L-T](#) [ASA-40.000MHZ-L-T](#) [ASA-48.000MHZ-L-T](#) [ASA-60.000MHZ-L-T](#) [ASF1-3.686MHZ-N-K-S](#)