

Specifications

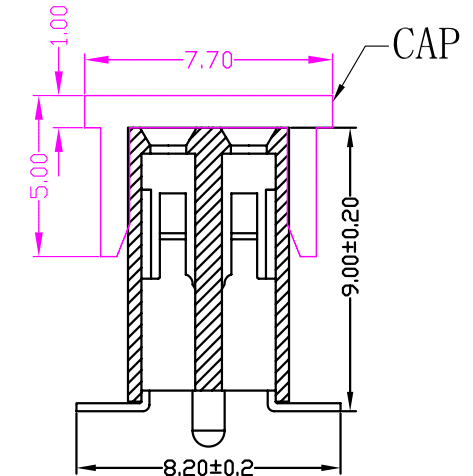
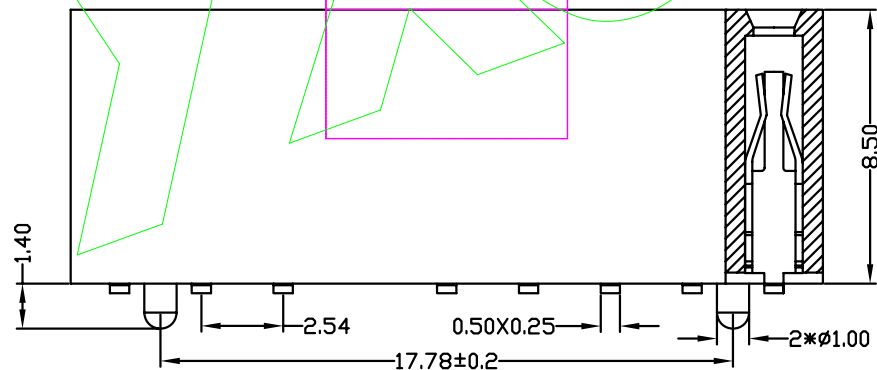
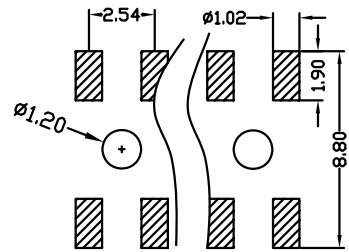
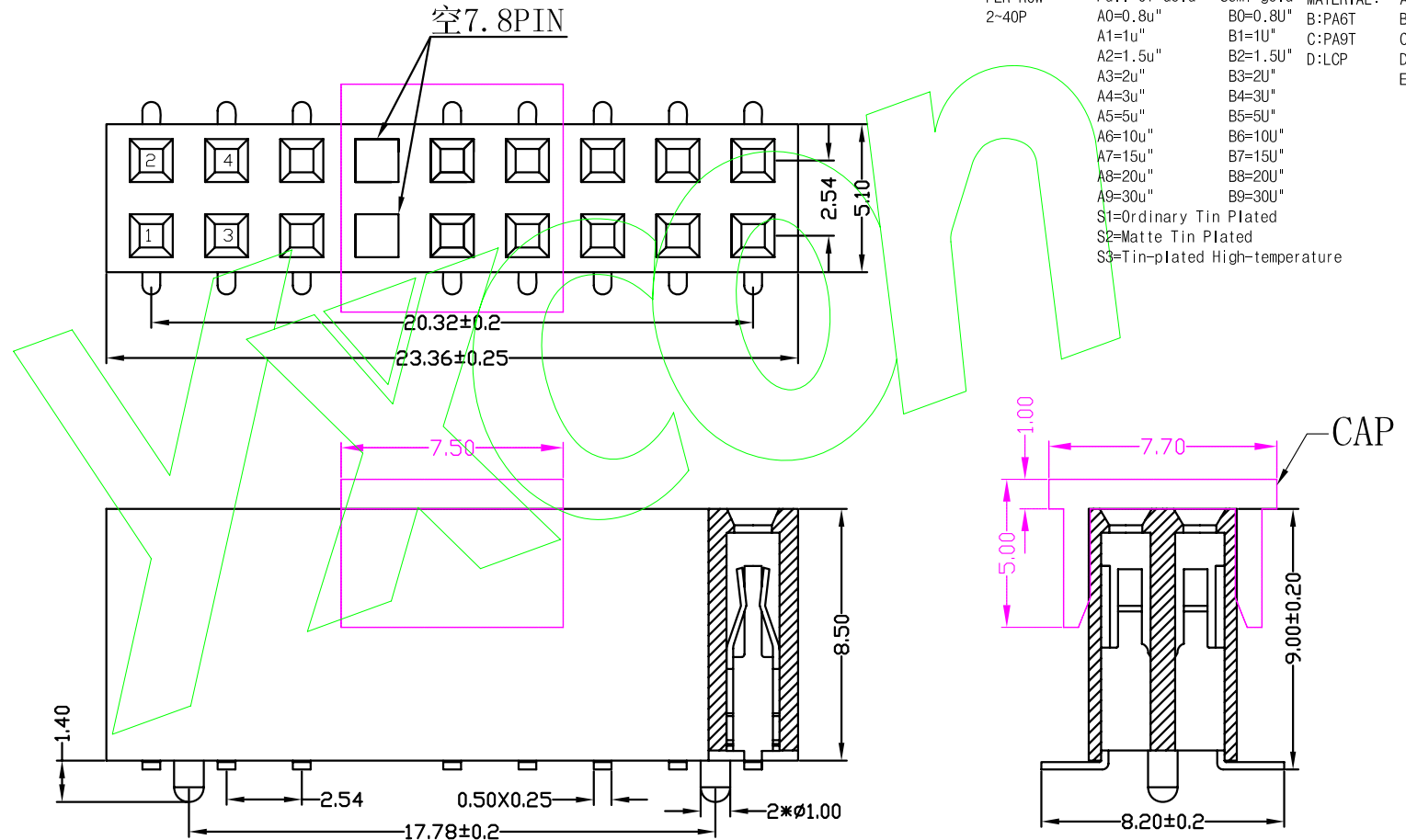
备注 (Remark)
 1. 材料 (MATERIAL)
 胶芯: PA6T+30%G.F UL94V-0, 颜色: 黑色.
 Housing: PA6T+30%G.F UL94V-0, Color: Black
 端子: 青铜, 镍底30u"MIN, 表面镀金3u"MIN
 Contact: Phosphor bronze, 3u"MIN GOLD PLATING OVER ALL
 30u" MIN NICKEL UNDERPLATING OVER ALL

2. 特性 (characteristics):
 额定电流: 3 AMP
 Rating Current: 3 AMP.
 接触阻抗: 20 mΩ MAX.
 Contact Resistance: 20 mΩ MAX.
 绝缘阻抗: 1000 MΩ MIN.
 Insulating Resistance: 1000 MΩ MIN.
 耐电压: AC 500V.
 Withstanding Voltage: AC 500V.
 温度范围: -40° C to +105° C
 Temperature Range: -40° C to +105° C

Ordering Information

F185-12 09 A4 B MU B 4

NO.OF PINS PER ROW 2-40P	Contact Plating		INSULATOR MATERIAL: B:PA6T C:PA9T D:LCP	PACKING A:PE Bag B:Tape & Reel C:Tube D:Tube+CAP E:Tray
	Full Of Gold	Semi-gold		
A0=0.8u"	B0=0.8U"			
A1=1u"	B1=1U"			
A2=1.5u"	B2=1.5U"			
A3=2u"	B3=2U"			
A4=3u"	B4=3U"			
A5=5u"	B5=5U"			
A6=10u"	B6=10U"			
A7=15u"	B7=15U"			
A8=20u"	B8=20U"			
A9=30u"	B9=30U"			
S1=Ordinary Tin Plated				
S2=Matte Tin Plated				
S3=Tin-plated High-temperature				



				OPERATION	SCALE	Fit	东莞市宇熙精密连接器有限公司 Dongguan Yuxi Electronic Co.,Ltd.			
				X.X ±0.25	UNIT	MM				
				X.XX ±0.20	SIZE	A4	DESIGN	杨哲	PART NO.	F185-1209A4BMUB4
				X.XXX ±0.10	SHEET	1/1	CHECK		TITLE:	2.54mm排母 型高8.5 2*9P 镀3u"金 PA6T料 SMT:8.2 传统U型 带柱 CAP+卷装 K-7.8P
				Angle ±3°	PROJ.	APPROVE		Customer No.	EM216254F1SB	
REV	DATE	MODIFICATION DESCRIPTION	CHANGE	APPROVE	DIM	TOL				

X-ON Electronics

Largest Supplier of Electrical and Electronic Components

Click to view similar products for [Headers & Wire Housings](#) category:

Click to view products by [Yxcon](#) manufacturer:

Other Similar products are found below :

[0015917161](#) [0022155065](#) [57102-F02-18ULF](#) [58102-G61-06LF](#) [582553-1](#) [01.001.5753.1](#) [0050291907](#) [02.125.8002.8](#) [609-3404](#) [61062-3](#)
[CSU011177004](#) [622-0430](#) [622-3653LF](#) [63453-116](#) [636-1030](#) [636-1427](#) [636-3427](#) [636-4007](#) [641938-9](#) [65495-038](#) [65692-001LF](#) [65781-018](#)
[65781-047](#) [65817-010LF](#) [65817-015LF](#) [67095-007LF](#) [67601157](#) [68631-112](#) [699319-000](#) [70.362.1628.0](#) [70-4210](#) [70-4226B](#) [70-4853B](#) [707-](#)
[5028](#) [71.350.2428.0](#) [733-134](#) [733-162](#) [760-3052](#) [MHR-64-VUAL](#) [80.063.4001.1](#) [800-90-001-10-001000](#) [801-43-002-10-013000](#)
[801-43-006-10-002000](#) [803-43-024-10-001000](#) [803-93-012-10-001000](#) [8-1437020-4](#) [819-22-004-30-001101](#) [820-22-006-30-001101](#)
[820-22-008-30-001101](#) [821-22-002-10-001101](#)