

Specifications

备注 (Remark)

1. 材料 (MATERIAL)

胶芯: PA9T+30%G. F UL94V-0, 颜色: 黑色.
 Housing: PA9T+30%G. F UL94V-0, Color: Black
 端子: 磷铜, 镍底30u"MIN, 表面镀普金
 Contact: Phosphor, GOLD PLATING OVER ALL
 30u" MIN NICKEL UNDERPLATING OVER ALL

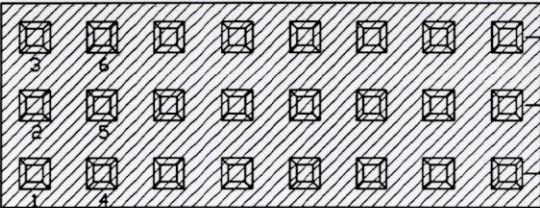
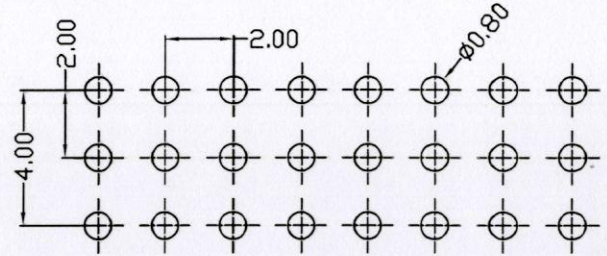
2. 特性 (characteristics):

额定电流: 2 AMP
 Raring Current: 2 AMP.
 接触阻抗: 30 mΩ MAX.
 Contact Resistance: 30 mΩ MAX.
 绝缘阻抗: 5000 MΩ MIN.
 Insulating Resistance: 5000 MΩ MIN.
 耐电压: AC 650V/分钟.
 Withstanding Voltage: AC 650V/Minute.
 温度范围: -40° C to +105° C
 Temperature Range: -40° C to +105° C

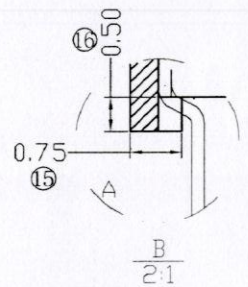
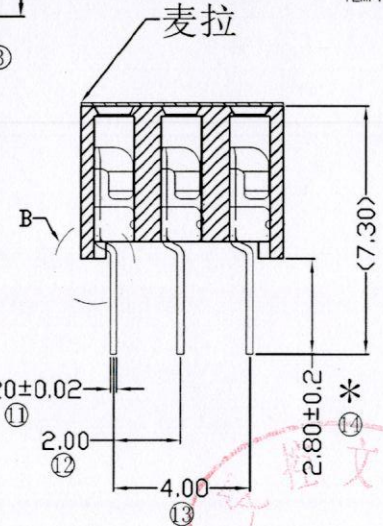
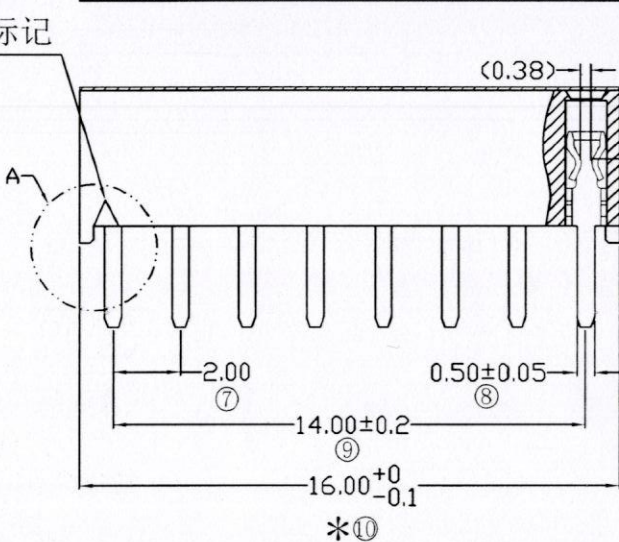
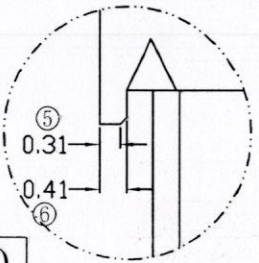
Ordering Information

F245-13 08 A0 C SU B 2

NO. OF PINS PER ROW	Contact Plating	INSULATOR MATERIAL:	PACKING
3-40P	Full Of Gold	A: PBT	A: PE Bag
	A0=0.8u"	B: PA6T	B: Tape & Reel
	A1=1u"	C: PA9T	C: Tube
	A2=1.5u"	D: LCP	D: Tube+CAP
	A3=2u"		E: Tray
	A4=3u"		
	A5=5u"		
	A6=10u"		
	A7=15u"		
	A8=20u"		
	A9=30u"		
		S1=Ordinary Tin Plated	
		S2=Matte Tin Plated	
		S3=Tin-plated High-temperature	
		C9=30u"MIN GOLD PLATED WITH HIGH TEMPRETURE MATTE TIN	



*第1Pin塑胶缺口标记



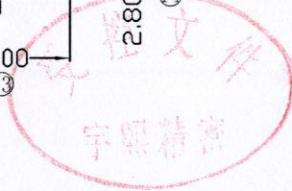
RoHS COMPLIANT

客编: K2090

注意事项

- 带*为品质重点检验尺寸.
- 第1Pin塑胶缺口标记.

A/2:1



			OPERATION	SCALE	Fit	Yxcon 东莞市宇熙精密连接器有限公司		
			X.X ±0.40	UNIT	MM	www.yxcon.com Dongguan Yuxi Electronic Co., Ltd.		
			X.XX ±0.25	SIZE	A4	DESIGN	李官森 2021.01.17	PART NO.
			X.XXX ±0.15	SHEET	1/1	CHECK		F245-1308A0CSUB2
A0	2022.01.17	/	Angle ±3°	PROJ.	APPROVE			TITLE: F245-1308A0CSUB2
REV	DATE	SYMBOL	DIM TOL					PH2.0*4.6 3*8P 180度 DIP:2.8mm F244端子 PA9T料 镀普金 麦拉+透明卷装800PCS K2090
								Customer No.
1	2	3	4	5	6	7	8	9

新版发行

Yxcon 东莞市宇熙精密连接器有限公司
 www.yxcon.com Dongguan Yuxi Electronic Co., Ltd.

DESIGN: 李官森 2021.01.17
 PART NO.: F245-1308A0CSUB2
 TITLE: F245-1308A0CSUB2
 PH2.0*4.6 3*8P 180度 DIP:2.8mm F244端子 PA9T料 镀普金 麦拉+透明卷装800PCS K2090
 APPROVE: [Signature]

X-ON Electronics

Largest Supplier of Electrical and Electronic Components

Click to view similar products for [Headers & Wire Housings](#) category:

Click to view products by [Yxcon](#) manufacturer:

Other Similar products are found below :

[0015917161](#) [0022155065](#) [57102-F02-18ULF](#) [58102-G61-06LF](#) [582553-1](#) [01.001.5753.1](#) [0050291907](#) [02.125.8002.8](#) [609-3404](#) [61062-3](#)
[CSU011177004](#) [622-0430](#) [622-3653LF](#) [63453-116](#) [636-1030](#) [636-1427](#) [636-3427](#) [636-4007](#) [641938-9](#) [65495-038](#) [65692-001LF](#) [65781-018](#)
[65781-047](#) [65817-010LF](#) [65817-015LF](#) [67095-007LF](#) [67601157](#) [68631-112](#) [699319-000](#) [70.362.1628.0](#) [70-4210](#) [70-4226B](#) [70-4853B](#) [707-](#)
[5028](#) [71.350.2428.0](#) [733-134](#) [733-162](#) [760-3052](#) [MHR-64-VUAL](#) [80.063.4001.1](#) [800-90-001-10-001000](#) [801-43-002-10-013000](#)
[801-43-006-10-002000](#) [803-43-024-10-001000](#) [803-93-012-10-001000](#) [8-1437020-4](#) [819-22-004-30-001101](#) [820-22-006-30-001101](#)
[820-22-008-30-001101](#) [821-22-002-10-001101](#)