

Specifications

备注 (Remark)

1. 材料 (MATERIAL)

胶芯: PA6T+30%G.F UL94V-0, 颜色: 黑色.

Housing: PA6T+30%G.F UL94V-0, Color: Black

四方针: 黄铜, 镍底30u", 表面镀金0.8u"

Contact: Brass, 0.8u" GOLD PLATING OVER ALL
30u" NICKEL UNDERPLATING OVER ALL

2. 特性 (characteristics):

额定电流: 3 AMP

Rating Current: 3 AMP.

接触阻抗: 20 mΩ MAX.

Contact Resistance: 20 mΩ MAX.

绝缘阻抗: 1000 MΩ MIN.

Insulating Resistance: 1000 MΩ MIN.

耐电压: AC 500V/分钟.

Withstanding Voltage: AC 500V/Minute.

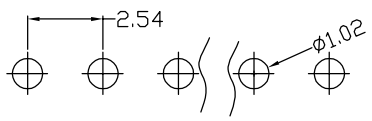
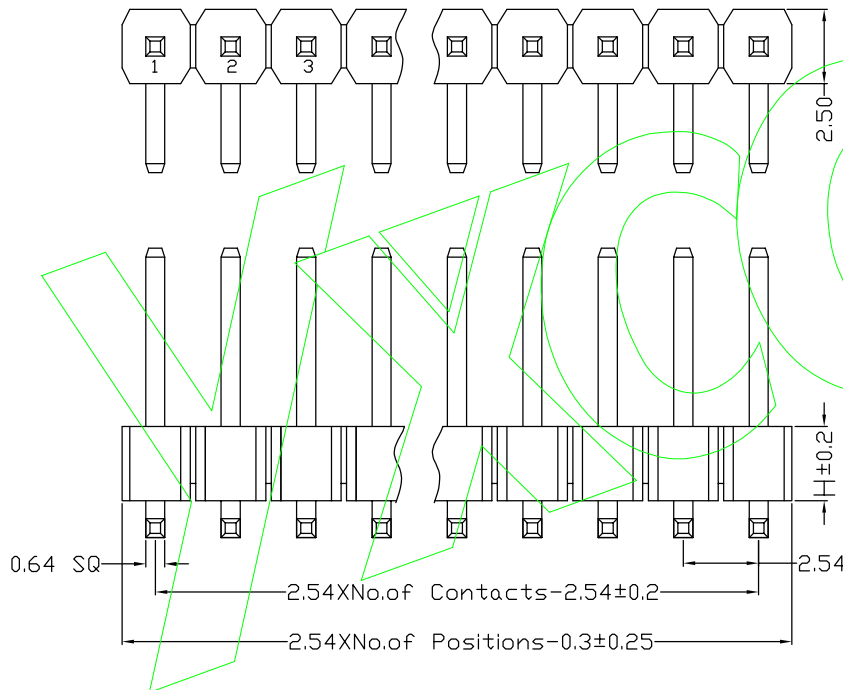
温度范围: -40° C to +105° C

Temperature Range: -40° C to +105° C

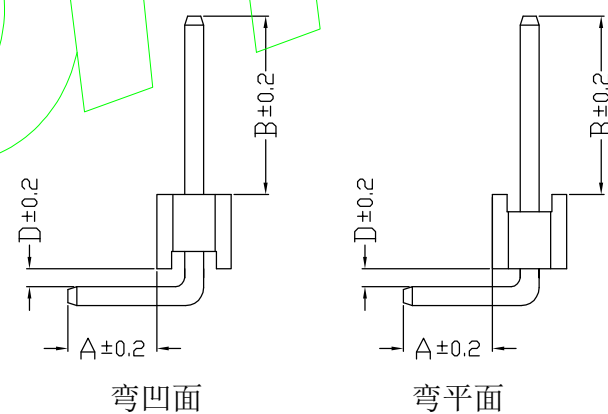
Ordering Information

P1XX-11 XX XX X R XXX X 1

HEIGHT OF HOUSING	NO. OF PINS PER ROW	Contact Full of Gold	Plating Semi-gold	INSULATOR MATERIAL	LENGTH OF TERMINAL	PACKING
15: 1.5mm	1~40P	A0=0.8u"	B0=0.8u"	A: PBT		A: PE Bag
17: 1.7mm		A1=1u"	B1=1u"	B: PA6T		B: Tube
20: 2.0mm		A2=1.5u"	B2=1.5u"	C: PA9T		C: Tube+CAP
25: 2.54mm		A3=2u"	B3=2u"	D: LCP		E: Tray
		A4=3u"	B4=3u"			
		A5=5u"	B5=5u"			
		A6=10u"	B6=10u"			
		A7=15u"	B7=15u"			
		A8=20u"	B8=20u"			
		A9=30u"	B9=30u"			
		S1=Ordinary Tin Plated				
		S2=Matte Tin Plated				
		S3=Tin-plated High-temperature				



Recommended P.C.B LAYOUT
General Tolerance ±0.05



ITEM	A	B	H			D			
Standard	2.6	6.0	1.5	1.7	2.0	2.54	3.0	0.2	0.6
Alternate									

REV	DATE	SYMBOL	MODIFICATION DESCRIPTION	OPERATION	SCALE	Fit	Yxcon 东莞市宇熙精密连接器有限公司			
				X.X ±0.25	UNIT	MM	www.yxcon.com Dongguan Yuxi Electronic Co., Ltd.			
				X.XX ±0.20	SIZE	A4	DESIGN	周芳杰 2021.6.18	PART NO.	P1XX-11XXXXXX1
				X.XXX ±0.10	SHEET	1/1	CHECK		TITLE:	2.54间距 单排针 单塑 90度
				Angle ±3°	PROJ.	☉	APPROVE		Customer No.	
				DIM TOL						

由 Autodesk 教育版产品制作

X-ON Electronics

Largest Supplier of Electrical and Electronic Components

Click to view similar products for [Headers & Wire Housings](#) category:

Click to view products by [Yxcon](#) manufacturer:

Other Similar products are found below :

[0015917161](#) [0022155065](#) [57102-F02-18ULF](#) [58102-G61-06LF](#) [582553-1](#) [01.001.5753.1](#) [0050291907](#) [02.125.8002.8](#) [609-3404](#) [61062-3](#)
[CSU011177004](#) [622-0430](#) [622-3653LF](#) [63453-116](#) [636-1030](#) [636-1427](#) [636-3427](#) [636-4007](#) [641938-9](#) [65495-038](#) [65692-001LF](#) [65781-018](#)
[65781-047](#) [65817-010LF](#) [65817-015LF](#) [67095-007LF](#) [67601157](#) [68631-112](#) [699319-000](#) [70.362.1628.0](#) [70-4210](#) [70-4226B](#) [70-4853B](#) [707-](#)
[5028](#) [71.350.2428.0](#) [733-134](#) [733-162](#) [760-3052](#) [MHR-64-VUAL](#) [80.063.4001.1](#) [800-90-001-10-001000](#) [801-43-002-10-013000](#)
[801-43-006-10-002000](#) [803-43-024-10-001000](#) [803-93-012-10-001000](#) [8-1437020-4](#) [819-22-004-30-001101](#) [820-22-006-30-001101](#)
[820-22-008-30-001101](#) [821-22-002-10-001101](#)