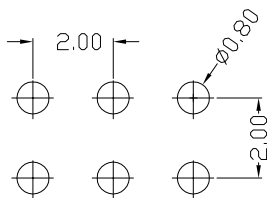
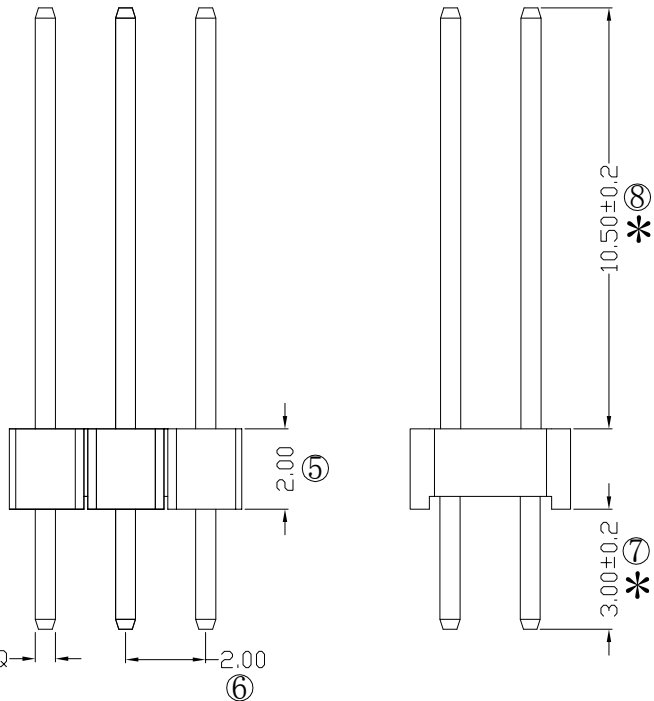
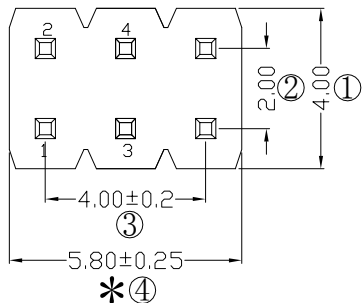


# Specifications

备注 (Remark)  
 1. 材料 (MATERIAL)  
 胶芯: PA6T+30%G.F UL94V-0, 颜色: 黑色.  
 Housing: PA6T+30%G.F UL94V-0, Color: Black  
 四方针: 黄铜, 镍底30u"MIN, 表面镀普金  
 Contact: Brass, GOLD PLATING OVER ALL  
 30u" MIN NICKEL UNDERPLATING OVER ALL

2. 特性 (characteristics):  
 额定电流: 2 AMP  
 Rating Current: 2 AMP.  
 接触阻抗: 20 mΩ MAX.  
 Contact Resistance: 20 mΩ MAX.  
 绝缘阻抗: 1000 MΩ MIN.  
 Insulating Resistance: 1000 MΩ MIN.  
 耐电压: AC 500V/分钟.  
 Withstanding Voltage: AC 500V/Minute.  
 温度范围: -40° C to +105° C  
 Temperature Range: -40° C to +105° C



# Ordering Information

P220-12 03 A0 B S 155 A 1

HEIGHT OF HOUSING	NO. OF PINS PER ROW	Contact Full of Gold	Plating Serial-gold	INSULATOR MATERIAL	LENGTH OF TERMINAL	PACKING
10: 1.0mm	2-40P	A0=0.8u"	B0=0.8u"	B: PA6T		A: PE Bag
15: 1.5mm		A1=1u"	B1=1u"	C: PA6T		B: Tape & Peel
20: 2.0mm		A2=1.5u"	B2=1.5u"	D: LCP		C: Tube
		A3=2u"	B3=2u"			D: Tube+OAP
		A4=3u"	B4=3u"			E: Tray
		A5=5u"	B5=5u"			
		A6=10u"	B6=10u"			
		A7=15u"	B7=15u"			
		A8=20u"	B8=20u"			
		A9=30u"	B9=30u"			
		S1=Ordinary Tin Plated				
		S2= Matte Tin Plated				
		S3= Tin-plated High-temperature				

RoHS COMPLIANT

客编: K1031

注意事项  
 1. 带\*为品质重点检验尺寸  
 2. DIP端不能有毛边

			OPERATION	SCALE	Fit	Yxcon 东莞市宇熙精密连接器有限公司			
			X.X ±0.25	UNIT	MM	Dongguan Yuxi Electronic Co., Ltd.			
			X.XX ±0.20	SIZE	A4	DESIGN	刘伟 2021.04.02	PART NO.	P220-1203A0BS155A1
A0	2021.04.02	/	X.XXX ±0.10	SHEET	1/1	CHECK		TITLE:	2.0排针 2*3P L=15.5/3.0 180度 DIP端不能有毛边 PA6T 镀普金
REV	DATE	SYMBOL	Angle ±3°	PROJ.	APPROVE			Customer No.	
			DIM TOL						

## X-ON Electronics

Largest Supplier of Electrical and Electronic Components

*Click to view similar products for [Headers & Wire Housings](#) category:*

*Click to view products by [Yxcon](#) manufacturer:*

Other Similar products are found below :

[0015917161](#) [0022155065](#) [57102-F02-18ULF](#) [58102-G61-06LF](#) [582553-1](#) [01.001.5753.1](#) [0050291907](#) [02.125.8002.8](#) [609-3404](#) [61062-3](#)  
[CSU011177004](#) [622-0430](#) [622-3653LF](#) [63453-116](#) [636-1030](#) [636-1427](#) [636-3427](#) [636-4007](#) [641938-9](#) [65495-038](#) [65692-001LF](#) [65781-018](#)  
[65781-047](#) [65817-010LF](#) [65817-015LF](#) [67095-007LF](#) [67601157](#) [68631-112](#) [699319-000](#) [70.362.1628.0](#) [70-4210](#) [70-4226B](#) [70-4853B](#) [707-](#)  
[5028](#) [71.350.2428.0](#) [733-134](#) [733-162](#) [760-3052](#) [MHR-64-VUAL](#) [80.063.4001.1](#) [800-90-001-10-001000](#) [801-43-002-10-013000](#)  
[801-43-006-10-002000](#) [803-43-024-10-001000](#) [803-93-012-10-001000](#) [8-1437020-4](#) [819-22-004-30-001101](#) [820-22-006-30-001101](#)  
[820-22-008-30-001101](#) [821-22-002-10-001101](#)