

## Product Specification (For External Use)

Rev.	Description	Written/Date	Checked/Date	Approved/Date
A	NEW RELEASE	Sunzheng 05-15-2020	Jason 05-15-2020	Jason 05-15-2020

**0.35mm Pitch,0.70mm Height,Board-to-Board/Board-to-FPC Connectors  
(BB31 Series )**

<b>Rating</b>	Rated current signal pin: 0.3A /PIN HOLD DOWN:5A/PIN Rated voltage 60V AC/DC	Operating temperature range : -55ç to +85ç Operating humidity range : 20% to 80%	Storage temperature range: -55ç to +85ç Storage humidity range : 20% to 80%
<b>Item</b>	<b>Specification</b>		<b>Conditions</b>
1. Insulation resistance	100 M $\Omega$ min.		250V DC /one minute
2. Withstanding voltage	No flashover or insulation breakdown.		250V AC /one minute
3. Contact resistance	Signal pin: 80 m $\Omega$ max hold down: 30 m $\Omega$ max		Subject mated contacts assembled in housing to 20mV maximum open circuit at 100 mA maximum
4. Vibration	No electrical discontinuity of 1 $\mu$ s or more		Frequency: 10 to 55 Hz, single amplitude of 1.5mm, 2 hours along each X,Y,Z, total 6 hours
5. Humidity	Contact resistance:signal pin:100 m $\Omega$ max.hold down :40 m $\Omega$ max. Insulation resistance: 50M $\Omega$ min.		120 hours at temperature of 40ç $\pm$ 2ç and RH of 90% to 95%
6. Temperature cycle	Contact resistance: signal pin:100 m $\Omega$ max.hold down :40 m $\Omega$ max. Insulation resistance: 50 M $\Omega$ min.		Temperature: -55ç/+5ç/+35ç/+85ç Duration: 30/10/10/30 (Minutes) 5 cycles
7. Durability	Contact resistance: signal pin:100 m $\Omega$ max.hold down :40 m $\Omega$ max.		30 cycles
8. Resistance to soldering heat	No deformation of components affecting performance.		Reflow: At the recommended temperature profile Manual soldering: 300ç for 3 seconds
9. Salt water spray	1). Appearance shall not be distinct damage. 2). Resistance value after test After test: signal pin:100 m $\Omega$ max.hold down :40 m $\Omega$ max. Insulation resistance: 1). Initial: 100 M $\Omega$ Minimum. 2). After test: 50 M $\Omega$ Minimum.		Temperature: 35 $^{\circ}$ C $\pm$ 2 $^{\circ}$ C Density of salt water : 5 $\pm$ 1% Duration: 48 hours.
10. Mating&Unmating Force	Mating force: Maximum 100grams/terminal x total terminals. Unmating force: Minimum 30grams/terminal x total Terminals.		Measure force necessary to mate assemblies at maximum rate of 25 $\pm$ 3 mm per minute.



**0.35mm Pitch,0.70mm Height,Board-to-Board/Board-to-FPC Connectors  
(BB31 Series)**

---

**Materials and Finishes**

Connectors	Component	Material	Finish		Remarks
Socket	Insulator	LCP	Color : Black		UL94V-0
	Contacts	Phosphor bronze	plating	Contact area: Au 2.5u” Min, Ni 80-150u”	
				Solder area: Au 2.5u” Min, Ni 80-150u”	
Plug	Insulator	LCP	Color : Black		UL94V-0
	Contacts	Phosphor bronze	plating	Contact area: Au 3u” Min, Ni 80-150u”	
				Solder area: Au 3u” Min, Ni 80-150u”	

**Ordering information (Socket)**

**YXT-BB31-\*\*S-02**

**1      2      3      4**

1. YXT:YXT Precision Technology Co. Ltd.
2. Series name: BB31(0.35mm pitch 0.70mm height Board to Board Connectors)
3. Number of contacts: 6, 8, 10, 12, 16, 20, 24, 30, 40, 50 S-(Socket)
4. 02(standard)

**Ordering information (Plug)**

**YXT-BB31-\*\*P-02**

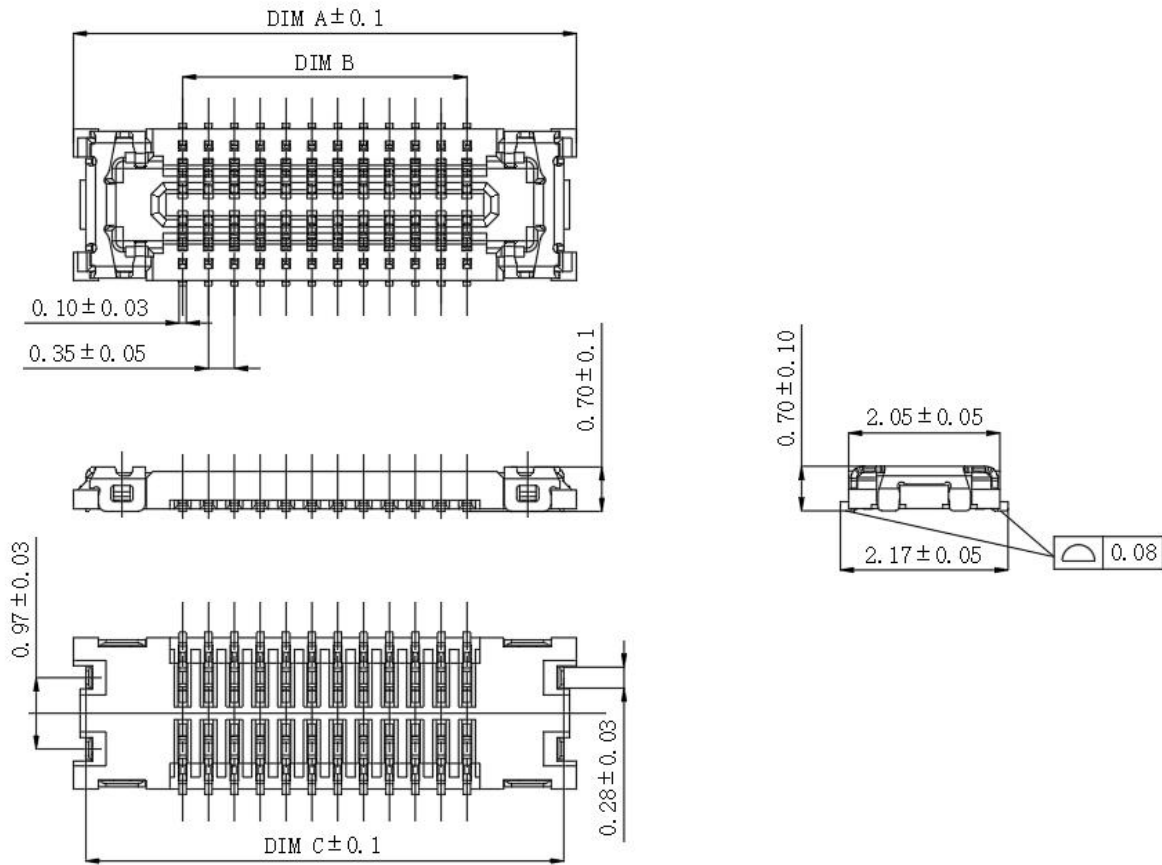
**1      2      3      4**

1. YXT:YXT Precision Technology Co. Ltd.
2. Series name: BB31(0.35mm pitch 0.70mm height Board to Board Connectors)
3. Number of contacts:6, 8, 10, 12, 16, 20, 24, 30, 40, 50 P- (Plug)
4. 02(standard)



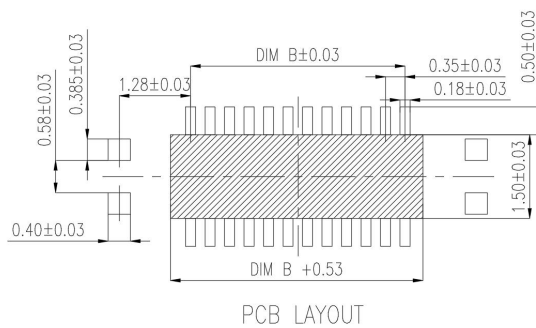
# 0.35mm Pitch,0.70mm Height,Board-to-Board/Board-to-FPC Connectors (BB31 Series)

## Socket (CAD Data)



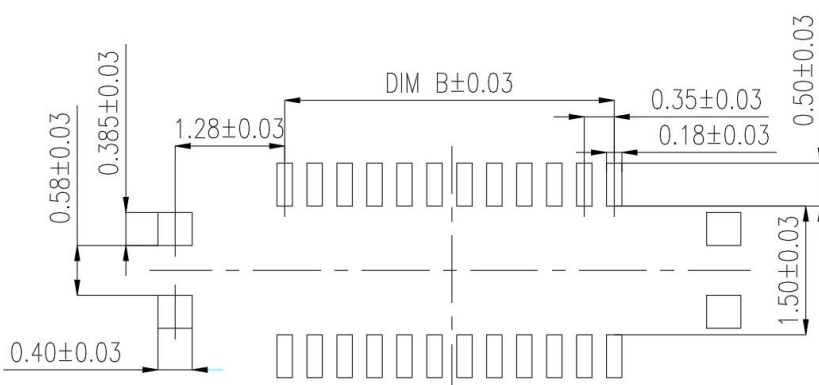
## Recommended PCB mounting pattern

## Dimension table (Unit: mm)

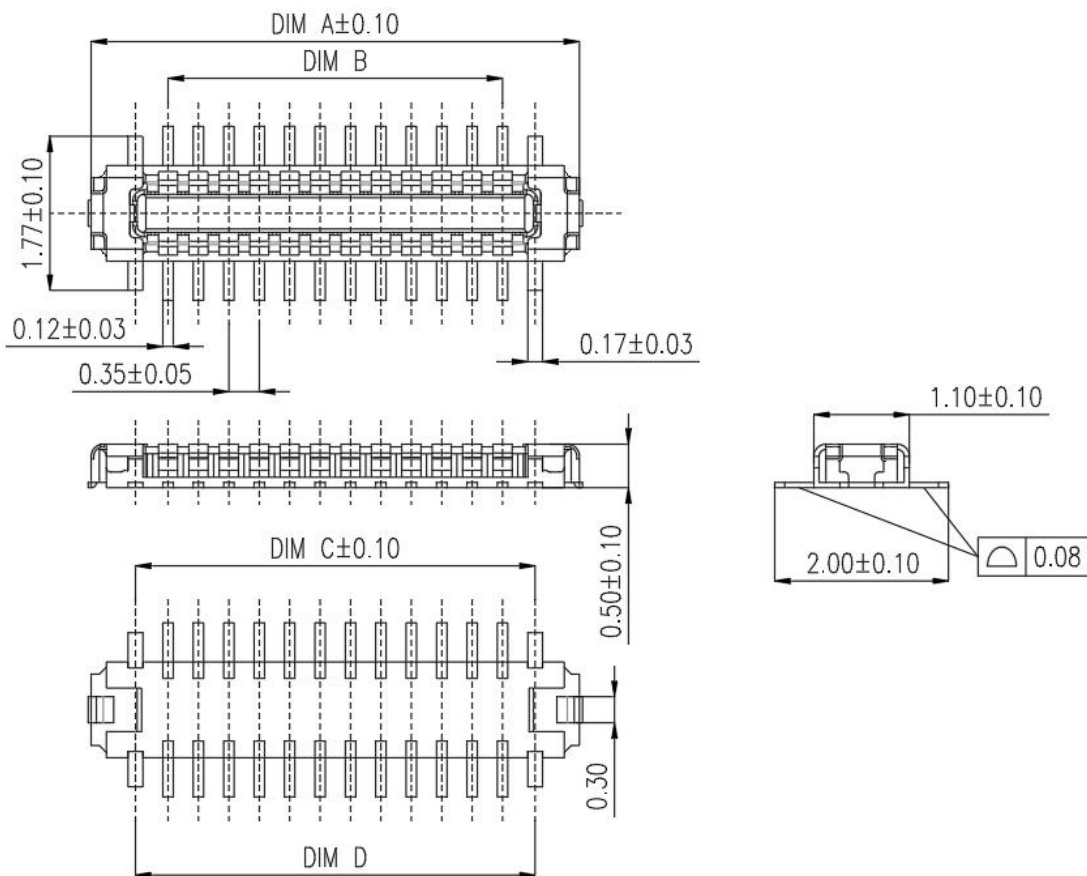


Part Number	Number of contacts	DIM A	DIM B	DIM C
YXT-BB31-06S-02	6	3.66	0.70	3.24
YXT-BB31-08S-02	8	4.01	1.05	3.59
YXT-BB31-10S-02	10	4.36	1.40	3.94
YXT-BB31-12S-02	12	4.71	1.75	4.29
YXT-BB31-16S-02	16	5.41	2.45	4.99
YXT-BB31-20S-02	20	6.11	3.15	5.69
YXT-BB31-24S-02	24	6.81	3.85	6.39
YXT-BB31-30S-02	30	7.86	4.90	7.44
YXT-BB31-40S-02	40	9.61	6.65	9.19
YXT-BB31-50S-02	50	11.36	8.40	10.94

### Recommended metal mask mounting pattern



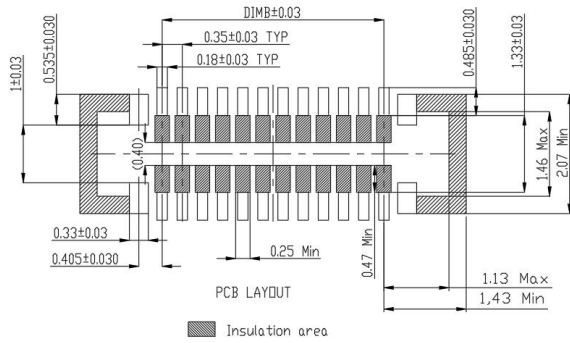
### Plug (CAD Data)



# 0.35mm Pitch,0.70mm Height,Board-to-Board/Board-to-FPC Connectors (BB31 Series )

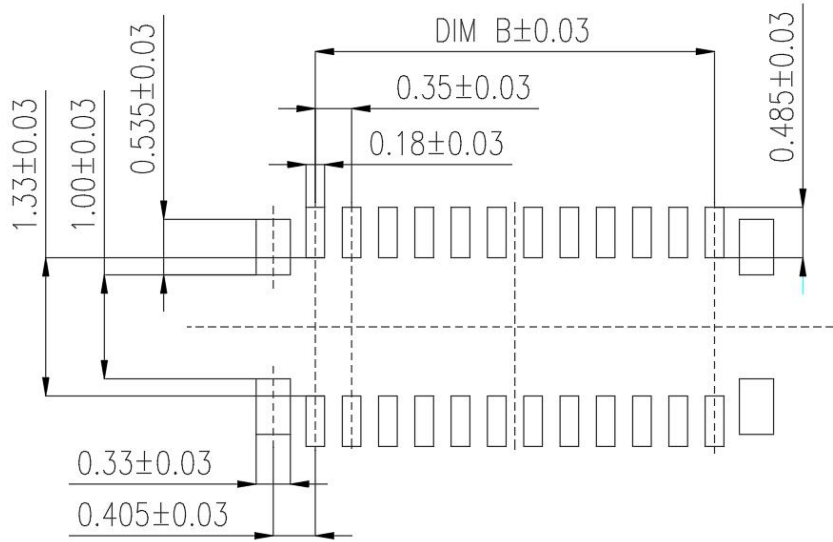
## Recommended PCB mounting pattern

## Dimension table (Unit: mm)



Part Number	Number of contacts	DIM A	DIM B	DIM C	DIM D
YXT-BB31-06P-02	6	2.47	0.70	1.45	2.54
YXT-BB31-08P-02	8	2.82	1.05	1.80	2.89
YXT-BB31-10P-02	10	3.17	1.40	2.15	3.24
YXT-BB31-12P-02	12	3.52	1.75	2.50	3.59
YXT-BB31-16P-02	16	4.22	2.45	3.20	4.29
YXT-BB31-20P-02	20	4.92	3.15	3.90	4.99
YXT-BB31-24P-02	24	5.62	3.85	4.60	5.69
YXT-BB31-30P-02	30	6.67	4.90	5.65	6.74
YXT-BB31-40P-02	40	8.42	6.65	7.40	8.49
YXT-BB31-50P-02	50	10.17	8.40	9.15	10.24

## Recommended metal mask mounting pattern

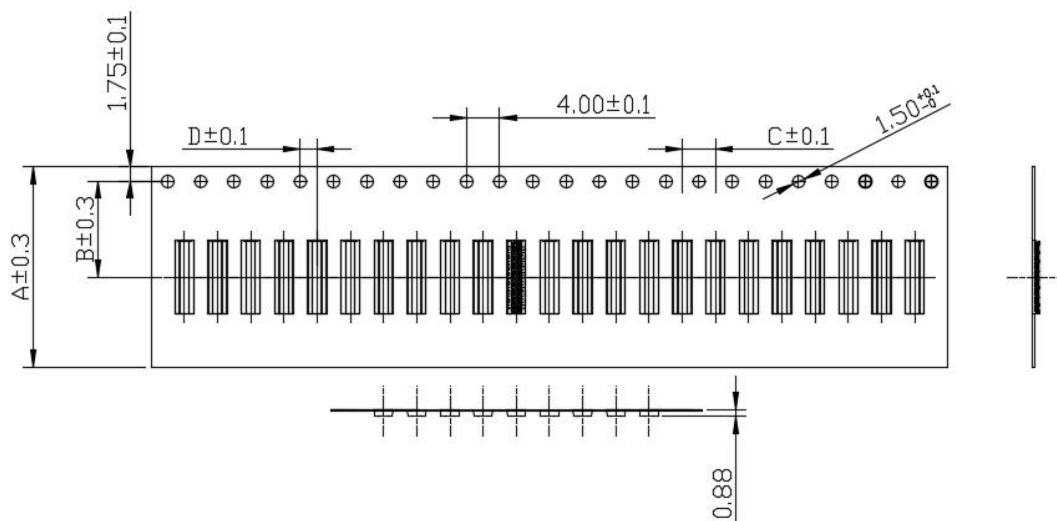




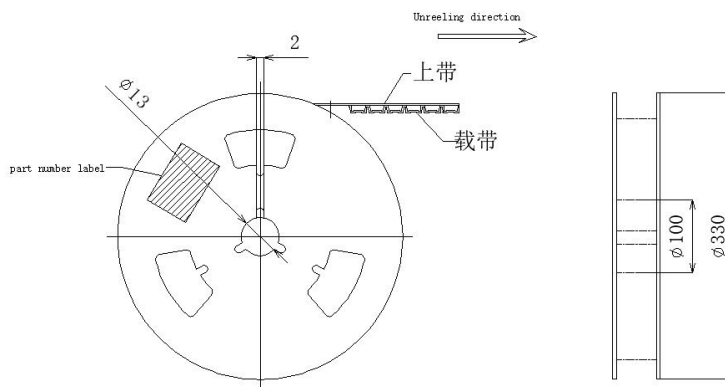
# 0.35mm Pitch,0.70mm Height,Board-to-Board/Board-to-FPC Connectors (BB31 Series)

## Packing Specification

### Embossed Carrier Tape Dimensions-Plug



### Reel Dimensions--Plug

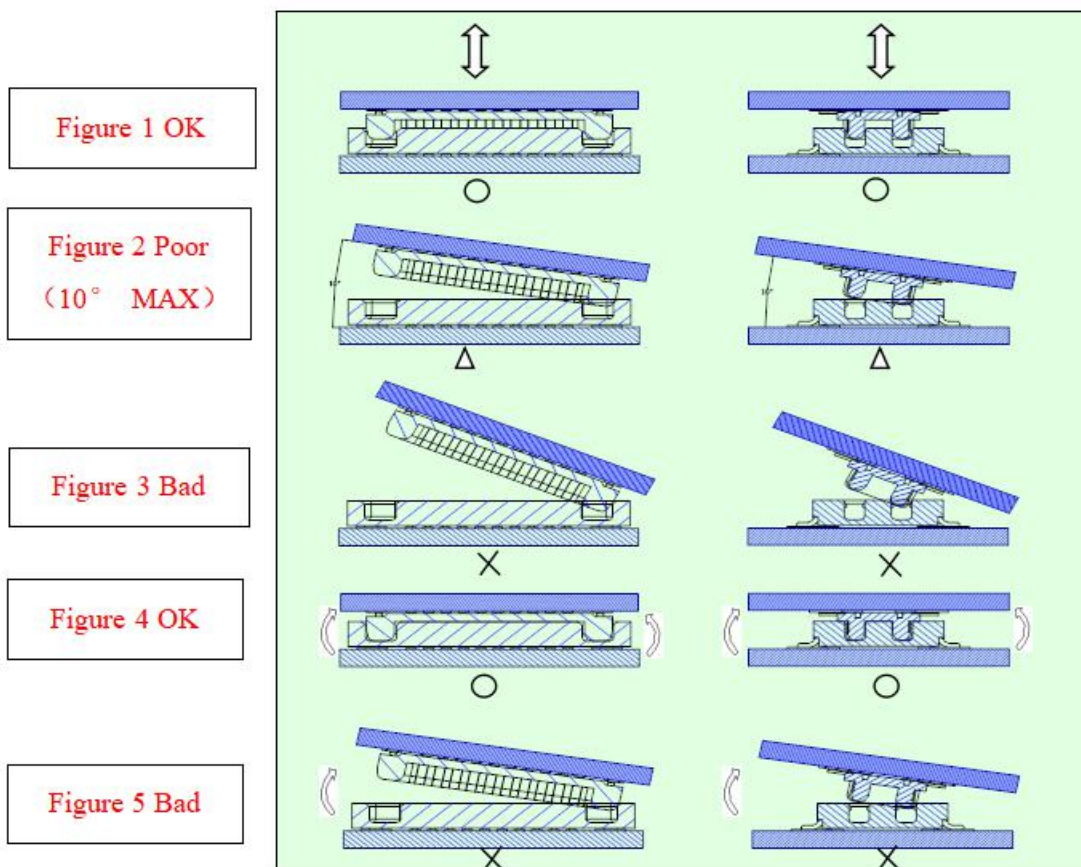


### Dimension table (Unit: mm)

Part Number	A	B	C	D	Quantity(PC/REEL)
YXT-BB31-06P-02	12	5.5	4	2	10000
YXT-BB31-08P-02	12	5.5	4	2	10000
YXT-BB31-10P-02	12	5.5	4	2	10000
YXT-BB31-12P-02	12	5.5	4	2	10000
YXT-BB31-16P-02	16	7.5	4	2	10000
YXT-BB31-20P-02	16	7.5	4	2	10000
YXT-BB31-24P-02	16	7.5	4	2	10000
YXT-BB31-30P-02	16	7.5	4	2	10000
YXT-BB31-40P-02	24	11.5	4	2	10000
YXT-BB31-50P-02	24	11.5	4	2	10000



Instruction of application to usage



## X-ON Electronics

Largest Supplier of Electrical and Electronic Components

*Click to view similar products for [Headers & Wire Housings](#) category:*

*Click to view products by [YXT](#) manufacturer:*

Other Similar products are found below :

[57102-F02-18ULF](#) [58102-G61-06LF](#) [0009485154](#) [009176003701906](#) [0050291907](#) [02.125.8002.8](#) [609-3404](#) [61062-3](#) [622-0430](#) [622-3653LF](#)  
[63453-116](#) [636-1030](#) [636-1427](#) [636-3427](#) [636-4007](#) [641938-9](#) [644827-2](#) [65495-038](#) [65692-001LF](#) [65781-018](#) [65781-047](#) [65817-010LF](#)  
[65817-015LF](#) [66207-023LF](#) [67016-026LF](#) [67095-007LF](#) [68631-112](#) [68645-018](#) [68648-049](#) [699319-000](#) [70.362.1628.0](#) [70-4210](#) [70-4226B](#)  
[70-4853B](#) [707-5020](#) [707-5028](#) [71.350.2428.0](#) [71961-016LF](#) [733-134](#) [754199-000](#) [760-3052](#) [787-8014-00](#) [FCN-367T-T012/H](#) [80.063.4001.1](#)  
[800-90-001-10-001000](#) [800-90-010-10-002000](#) [801-43-002-10-013000](#) [801-43-006-10-002000](#) [803-41-018-10-001000](#) [803-43-014-20-](#)  
[001000](#)