

Product Specification (For External Use)

Rev.	Description	Written/Date	Checked/Date	Approved/Date
A	NEW RELEASE	Tyler 11-29-2019	Jason 11-29-2019	Jason 11-29-2019
B	ADD 6、 8、 12、 16、 20 PIN	Tyler 02-22-2021	Jason 02-22-2021	Jason 02-22-2021

0.35mm Pitch,0.60mm Height,Board-to-Board/Board-to-FPC Connectors (BB370 Series)

Rating	Rated current signal pin: 0.3A /PIN HOLD DOWN:4A/PIN Rated voltage 50V AC	Operating temperature range : -40°C to +85°C Operating humidity range : 20% to 80%	Storage temperature range: -10°C to +45°C Storage humidity range : 20% to 80%
Item	Specification	Conditions	
1. Insulation resistance	100 M Ω min.	150V DC /one minute	
2. Withstanding voltage	No flashover or insulation breakdown.	250V AC /one minute	
3. Contact resistance	Signal pin: 50 m Ω max hold down: 30 m Ω max	Subject mated contacts assembled in housing to 20mV maximum open circuit at 1mA max	
4. Vibration	No momentary disconnections of 1 micro-sec/min. And meet	Frequency :10Hz to 50Hz Half amplitude of 0.75mm 10 cycles in each of 3 axis directions for 5 minutes/cycle	
5. Humidity	No physical damage and meet 1. (Insulation Resistance) 2. (Dielectric Withstanding Voltage) 3. (Contact Resistance)	Mated Connector and apply the following test condition. Temperature: +40 \pm 2° C Duration: 240 Hours	
6. Humidity Cycling	No physical damage and meet 1. (Insulation Resistance) 2. (Dielectric Withstanding Voltage) 3. (Contact Resistance)	Mated Connector and apply the following test condition. Cycle: 10 cycles Temperature : +25 (-10) ~ 65° C Humidity : 90~98%RH	
7. Durability	No physical damage and meet 3. (Contact Resistance)	30 cycles	
8. Resistance to soldering heat	No deformation of components affecting performance.	Reflow: At the recommended temperature profile Manual soldering: 350 \pm 10° C for 5 \pm 1 s Application : 3 times	
9. Salt water spray	No physical damage and meet 3. (Contact Resistance)	Mated Connector and apply the following test condition. Temperature: +35 \pm 2° C Salt water density : 5 \pm 1% Duration: 48 Hours	
10. Mating&Unmating Force	Mating force : 1.00N / pin max. Unmating force : 0.20N / pin min.	Operation Speed: 25 \pm 3 mm Durability Cycles: 30 Cycles.	

**0.35mm Pitch,0.60mm Height,Board-to-Board/Board-to-FPC Connectors
(BB370 Series)**

Materials and Finishes

Connectors	Component	Material	Finish		Remarks
Socket	Insulator	LCP	Color : Black		UL94V-0
	Contacts	Phosphor bronze	plating	Contact area: Au 4u” Min, Ni 80-150u” Min	
				Solder area: Au 4u” Min, Ni 80-150u” Min	
Plug	Insulator	LCP	Color : Black		UL94V-0
	Contacts	Phosphor bronze	plating	Contact area: Au 4u” Min, Ni 80-150u” Min	
				Solder area: Au 4u” Min, Ni 80-150u” Min	

Ordering information (Socket)

YXT-BB 37 0- XX S 1 4 A 0

1 2 3 4 5 6 7 8 9

1. BB: Board to Board
2. Series name: 37 W=1.7 Connectors (Compatible with BM28)
3. Customer: 0 (routine)
4. Number of positions:06 08 10 12 16 20 PIN
5. Type:S -Socket
6. Packing: 1 (10K/R)
7. Plating: 4 (Contact area/Solder area Au 4u" min Ni 32u" Min)
8. Hold Down: A (With hold down power)
9. Serial number: 0

Ordering information (Plug)

YXT-BB 37 0- XX P 1 4 A 0

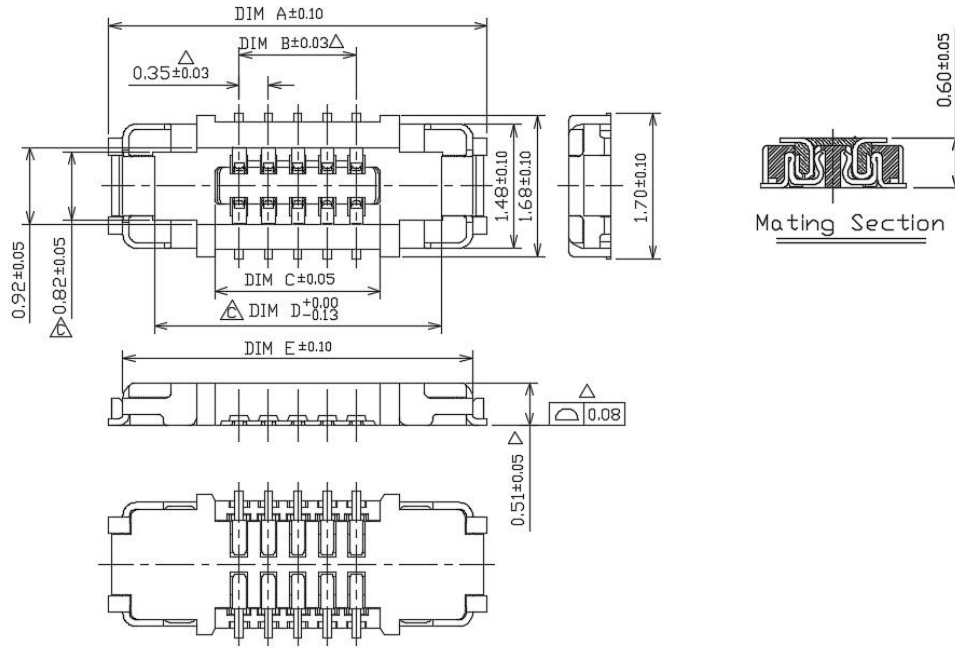
1 2 3 4 5 6 7 8 9

1. BB: Board to Board
2. Series name: 37 W=1.7 Connectors (Compatible with BM28)
3. Customer: 0 (routine)
4. Number of positions:06 08 10 12 16 20 PIN
5. Type:P -Plug
6. Packing: 1 (10K/R)
7. Plating: 4 (Contact area/Solder area Au 4u" min Ni 32u" Min)
8. Hold Down: A (With hold down power)
9. Serial number: 0

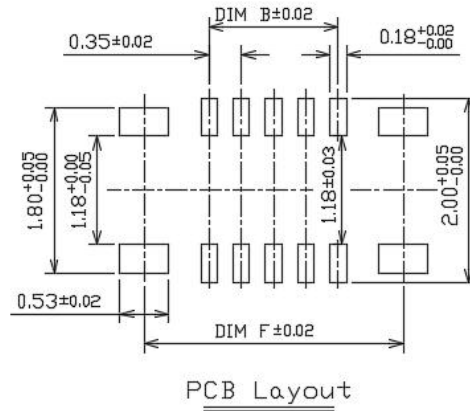


0.35mm Pitch,0.60mm Height,Board-to-Board/Board-to-FPC Connectors (BB370 Series)

Socket (CAD Data)



Recommended PCB mounting pattern

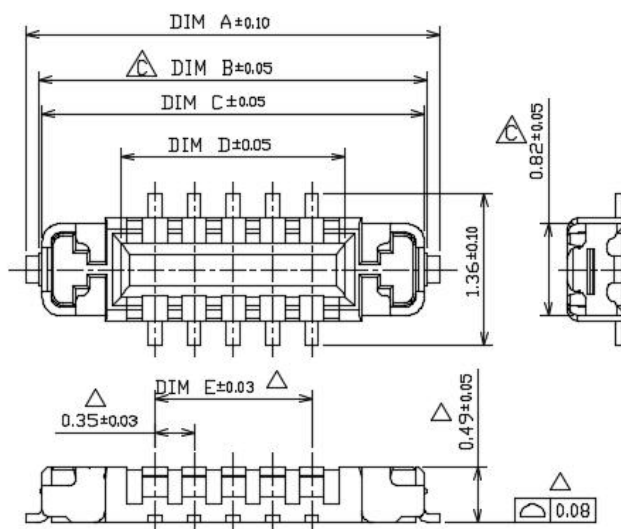


Dimension table (Unit: mm)

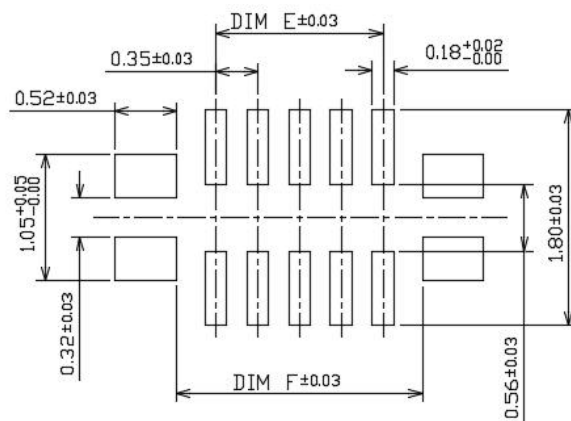
Part Number	Number of positions	DIM A	DIM B	DIM C	DIM D	DIM E	DIM F
YXT-BB370-06S14A0	06	3.82	0.70	1.28	2.73	3.48	2.11
YXT-BB370-08S14A0	08	4.17	1.05	1.63	3.08	3.83	2.46
YXT-BB370-10S14A0	10	4.52	1.40	1.98	3.43	4.18	2.81
YXT-BB370-12S14A0	12	4.87	1.75	2.33	3.78	4.53	3.16
YXT-BB370-16S14A0	16	5.57	2.45	3.03	4.48	5.23	3.86
YXT-BB370-20S14A0	20	6.27	3.15	3.73	5.18	5.93	4.56

0.35mm Pitch,0.60mm Height,Board-to-Board/Board-to-FPC Connectors (BB370 Series)

Plug (CAD Data)



Recommended PCB mounting pattern



PCB Layout

Dimension table (Unit: mm)

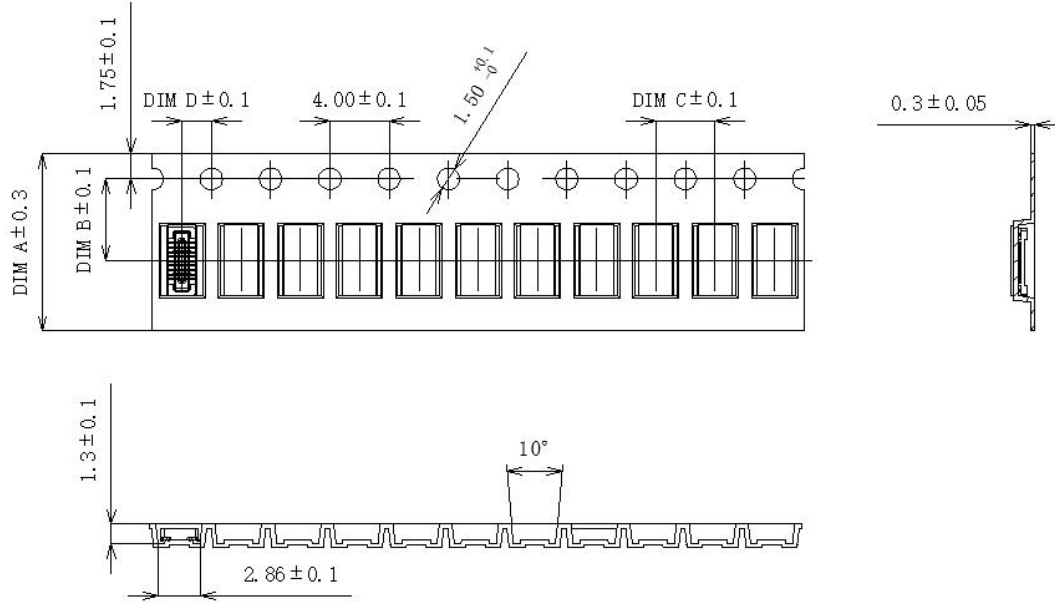
Part Number	Number of positions	DIM A	DIM B	DIM C	DIM D	DIM E	DIM F
YXT-BB370-06P14A0	06	2.99	2.76	2.73	1.30	0.70	1.36
YXT-BB370-08P14A0	08	3.34	3.11	3.08	1.65	1.05	1.71
YXT-BB370-10P14A0	10	3.69	3.46	3.43	2.00	1.40	2.06
YXT-BB370-12P14A0	12	4.04	3.81	3.78	2.35	1.75	2.41
YXT-BB370-16P14A0	16	4.74	4.51	4.48	3.05	2.45	3.11
YXT-BB370-20P14A0	20	5.44	5.21	5.18	3.75	3.15	3.81



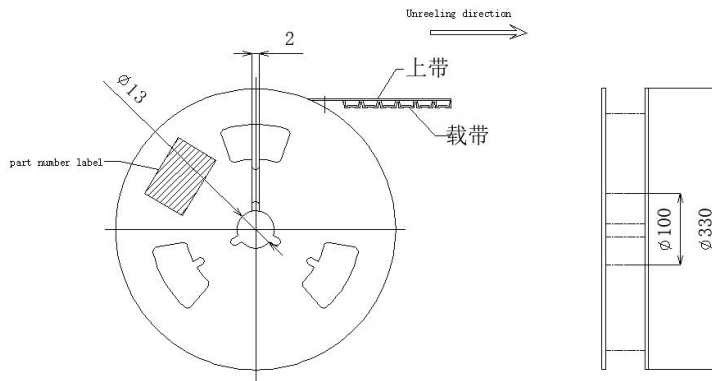
0.35mm Pitch,0.60mm Height,Board-to-Board/Board-to-FPC Connectors
(BB370 Series)

Packing Specification

Embossed Carrier Tape Dimensions-Socket



Reel Dimensions--Socket



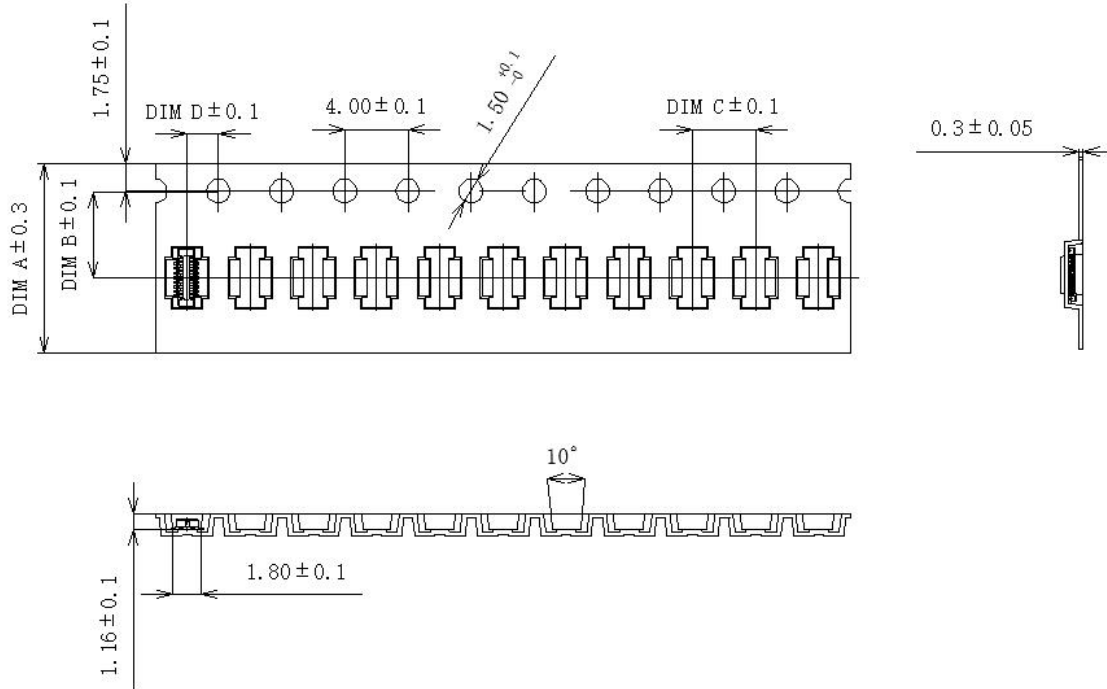
Dimension table (Unit: mm)

Part Number	A	B	C	D	Quantity(PC/REEL)
YXT-BB370-06S14A0	12	5.5	8	2	10000
YXT-BB370-08S14A0	12	5.5	8	2	10000
YXT-BB370-10S14A0	12	5.5	8	2	10000
YXT-BB370-12S14A0	12	5.5	8	2	10000
YXT-BB370-16S14A0	16	7.5	8	2	10000
YXT-BB370-20S14A0	16	7.5	8	2	10000

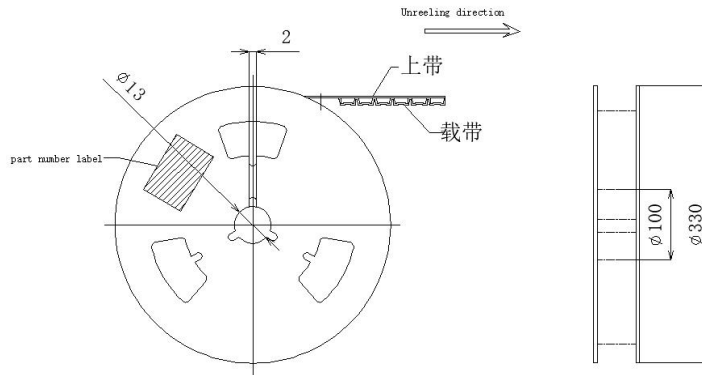
**0.35mm Pitch,0.60mm Height,Board-to-Board/Board-to-FPC Connectors
(BB370 Series)**

Packing Specification

Embossed Carrier Tape Dimensions-Plug



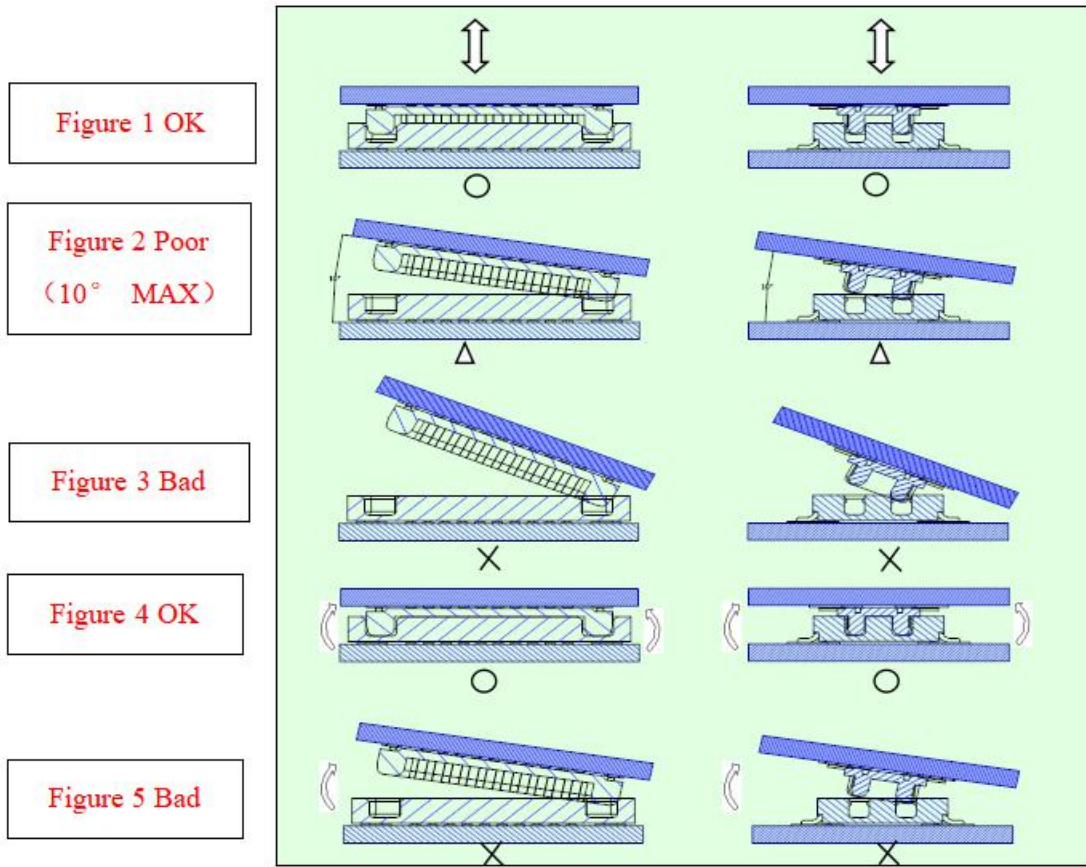
Reel Dimensions--Plug



Dimension table (Unit: mm)

Part Number	A	B	C	D	Quantity(PC/REEL)
YXT-BB370-06P14A0	12	5.5	8	2	10000
YXT-BB370-08P14A0	12	5.5	8	2	10000
YXT-BB370-10P14A0	12	5.5	8	2	10000
YXT-BB370-12P14A0	12	5.5	8	2	10000
YXT-BB370-16P14A0	16	7.5	8	2	10000
YXT-BB370-20P14A0	16	7.5	8	2	10000

Instruction of application to usage



X-ON Electronics

Largest Supplier of Electrical and Electronic Components

Click to view similar products for [Headers & Wire Housings](#) category:

Click to view products by [YXT](#) manufacturer:

Other Similar products are found below :

[57102-F02-18ULF](#) [58102-G61-06LF](#) [0009485154](#) [009176003701906](#) [0050291907](#) [02.125.8002.8](#) [609-3404](#) [61062-3](#) [622-0430](#) [622-3653LF](#)
[63453-116](#) [636-1030](#) [636-1427](#) [636-3427](#) [636-4007](#) [641938-9](#) [644827-2](#) [65495-038](#) [65692-001LF](#) [65781-018](#) [65781-047](#) [65817-010LF](#)
[65817-015LF](#) [66207-023LF](#) [67016-026LF](#) [67095-007LF](#) [68631-112](#) [68645-018](#) [68648-049](#) [699319-000](#) [70.362.1628.0](#) [70-4210](#) [70-4226B](#)
[70-4853B](#) [707-5020](#) [707-5028](#) [71.350.2428.0](#) [71961-016LF](#) [733-134](#) [754199-000](#) [760-3052](#) [787-8014-00](#) [FCN-367T-T012/H](#) [80.063.4001.1](#)
[800-90-001-10-001000](#) [800-90-010-10-002000](#) [801-43-002-10-013000](#) [801-43-006-10-002000](#) [803-41-018-10-001000](#) [803-43-014-20-](#)
[001000](#)