

**0.5mm Pitch,1.0mm Height , Back Flip FPC/FFC Connectors  
(ZF70 Series)**

---

**Product Specification  
(For External Use)**

Rev.	Description	Written/Date	Checked/Date	Approved/Date
A	New Release	Tyler 4-28-2022	Jason 4-28-2022	Jason 4-28-2022
B	Update Drawing	Tyler 9-16-2022	Jason 9-16-2022	Jason 9-16-2022



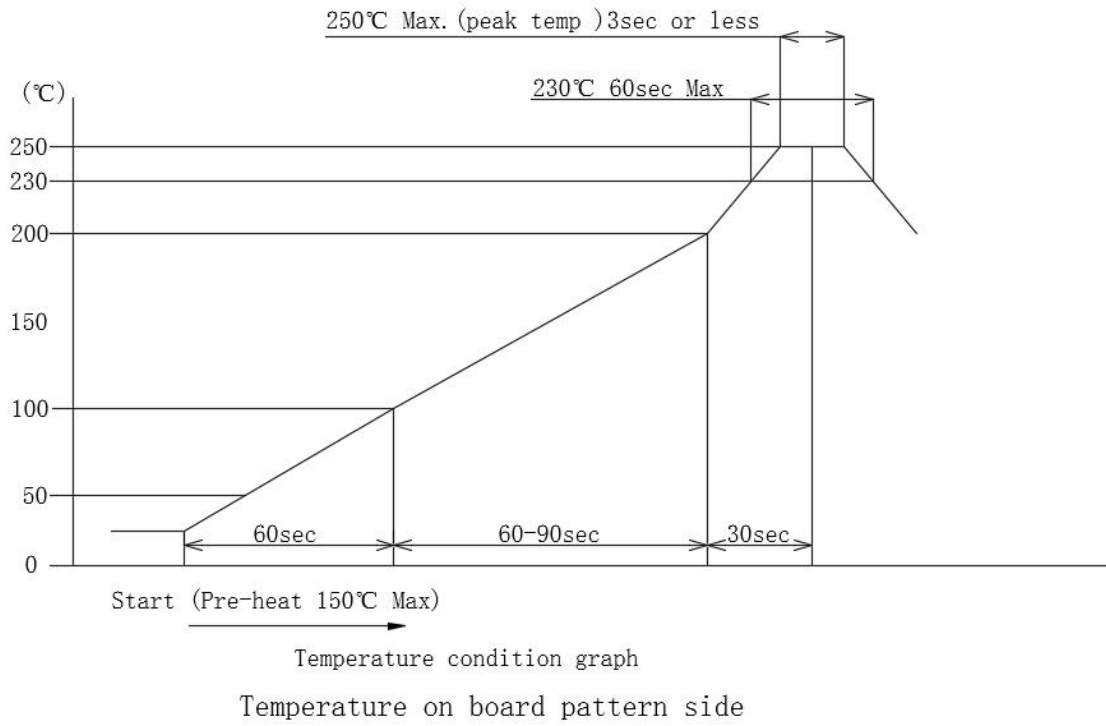
**0.5mm Pitch,1.0mm Height , Back Flip FPC/FFC Connectors  
(ZF70 Series)**

## Product Specifications

<b>Rating</b>	Rated current 0.5A/PIN Rated voltage 50V AC/DC	Operating temperature range : -55ç to 85ç Operating humidity range : 20% to 80%	Storage temperature range: -55ç to 85ç Storage humidity range : 20% to 80%
Item	Specification	Conditions	
1. Insulation resistance	500 M $\Omega$ min.	150V DC	
2. Withstanding voltage	No flashover or insulation breakdown.	150V AC / one minute	
3. Contact resistance	50 m $\Omega$ max initial 100 m $\Omega$ max final	Subject mated contacts assembled in housing to 20mV maximum open circuit at 100 mA maximum	
4. Vibration	No electrical discontinuity of 1 $\mu$ s or more	Frequency: 10 to 55 Hz, single amplitude of 1.5mm, 2 hours along each X, Y, Z, total 6 hours	
5. Humidity	Contact resistance: 100 m $\Omega$ max. Insulation resistance: 100 M $\Omega$ min.	120 hours at temperature of 40ç $\pm$ 2ç and RH of 90% to 95%	
6. Temperature cycle	Contact resistance: 100 m $\Omega$ max. Insulation resistance: 100 M $\Omega$ min.	Temperature: -55ç/+5ç/+35ç/+85ç Duration: 30/10/10/30 (Minutes) 5 cycles	
7. Durability	Contact resistance: 100 m $\Omega$ max.	30 cycles	
8. Resistance to soldering heat	No deformation of components affecting performance.	Reflow: At the recommended temperature profile Manual soldering: 300ç for 3 seconds	
9. Salt water spray	1). Appearance shall not be distinct damage. 2). Resistance value after test After test: 100m $\Omega$ Maximum.	Temperature: 35°C $\pm$ 2°C Density of salt water : 5 $\pm$ 1% Duration: 48 hours.	
10. FPC/FFC Retention Force	Minimum 20grams/terminal x total terminals.	Measure force necessary to mate assemblies at maximum rate of 25 $\pm$ 3 mm per minute.	

# 0.5mm Pitch,1.0mm Height , Back Flip FPC/FFC Connectors (ZF70 Series)

## Resistance to flow solder heat



**0.5mm Pitch,1.0mm Height , Back Flip FPC/FFC Connectors  
(ZF70 Series)**

---

**Materials and Finishes**

Connectors	Component	Material	Finish		Remarks	
Socket	Housing	Thermoplastic High Temp	Color : Black		UL94V-0	
	Actuator	Thermoplastic High Temp	Color : Black		UL94V-0	
	Contacts	Phosphor bronze	Plating	Contact area:Gold Flash, Ni 80-150u”		
				Solder area:Gold Flash, Ni 80-150u”		
Metal Fittings	Phosphor bronze	Plating	Matte Tin100-200u” , Ni 80-150u”			

**Ordering information**

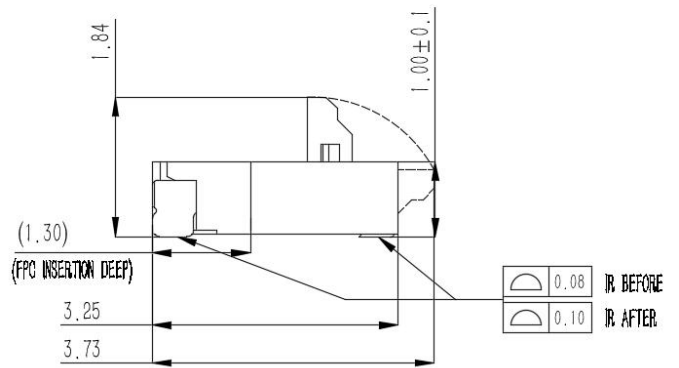
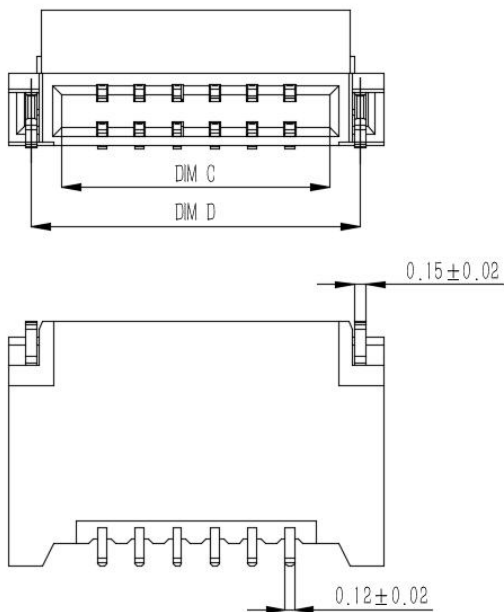
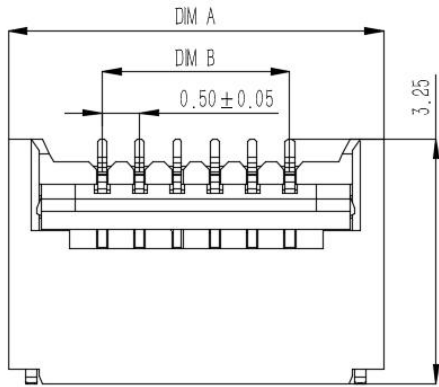
**YXT-ZF70-\*\*B-00 (LC)**

**1      2      3      4      5**

1. YXT: YXT PRECISION TECHNOLOGY CO., LTD.
2. Series name: ZF70(0.5mm pitch 1.0mm height FPC/FFC Connectors)
3. Number of positions: 04-16      B:Back Flip Type
4. 00(standard)
5. Customer: LC

# 0.5mm Pitch, 1.0mm Height , Back Flip FPC/FFC Connectors (ZF70 Series)

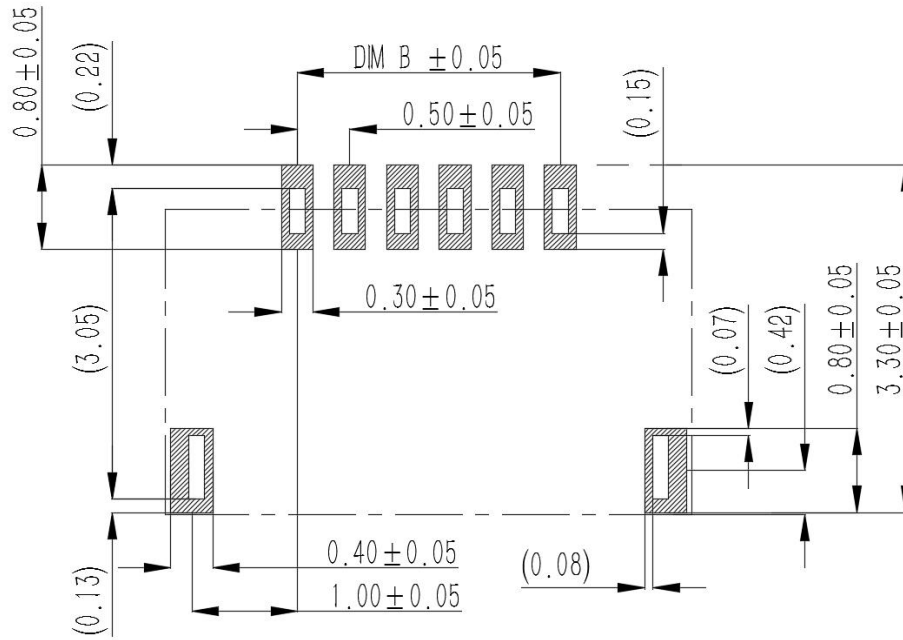
(CAD Data: Unit: mm)



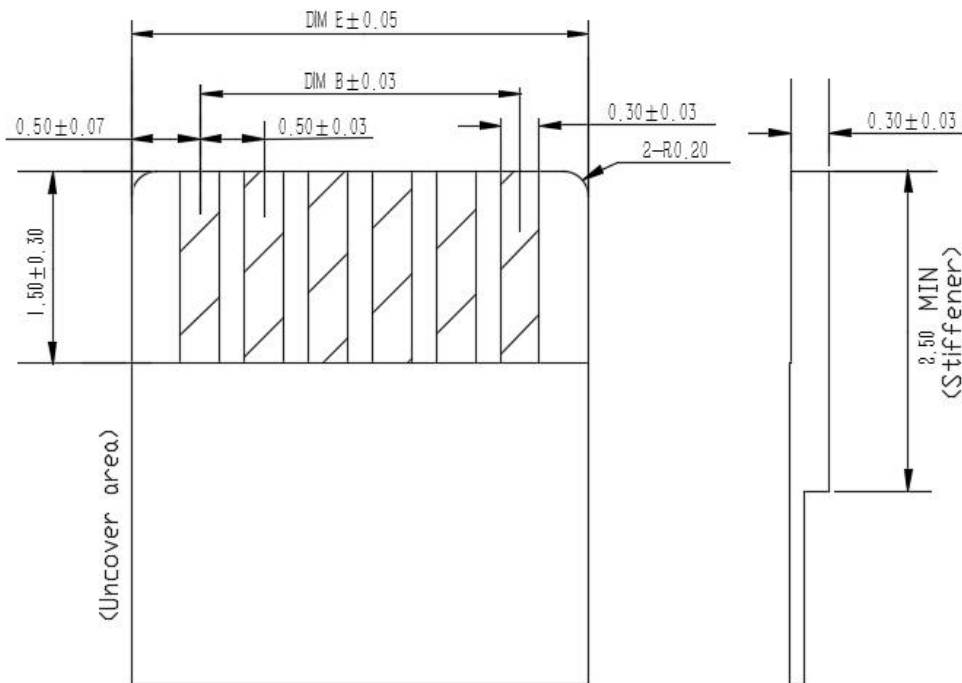
General tolerance:  $\pm 0.10$

## 0.5mm Pitch, 1.0mm Height , Back Flip FPC/FFC Connectors (ZF70 Series)

**Recommended PCB mounting pattern (Unit: mm)**



### Recommended FPC/FFC Dimensions



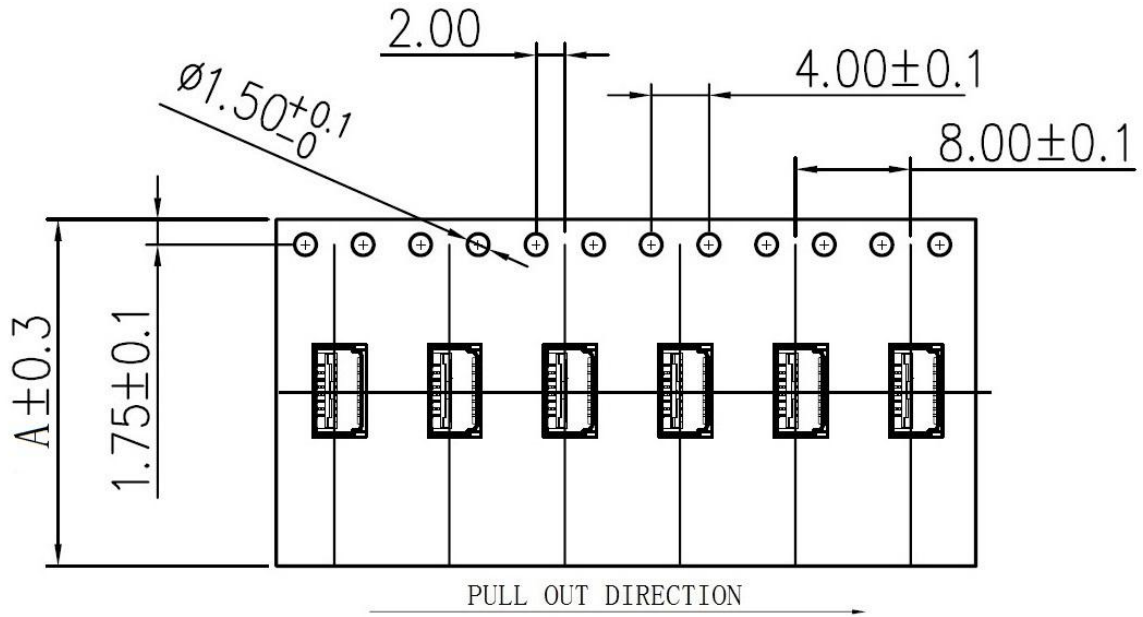
## 0.5mm Pitch,1.0mm Height , Back Flip FPC/FFC Connectors (ZF70 Series)

Dimensions table (Unit: mm)

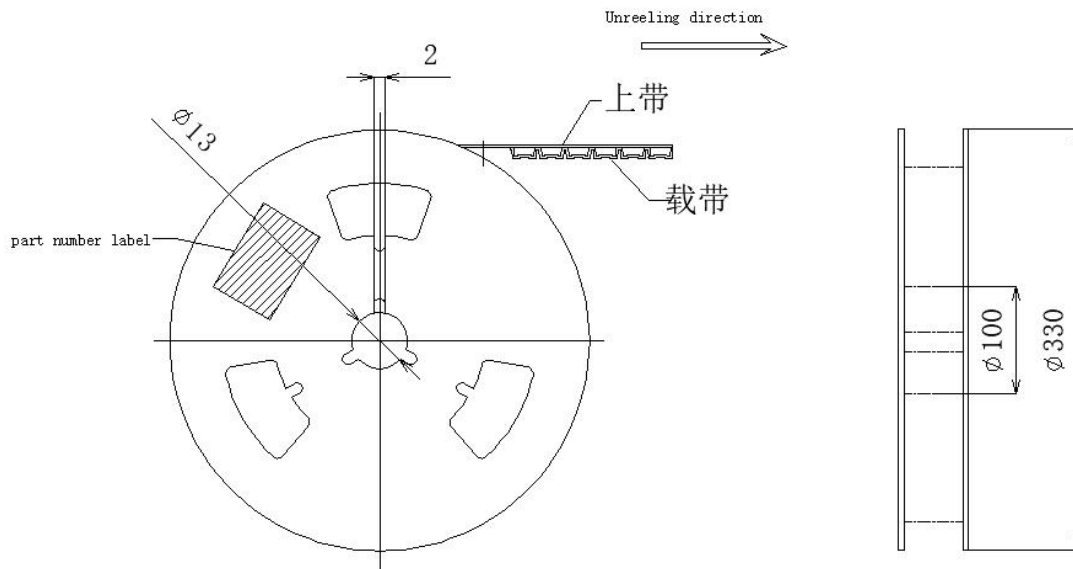
Part Number	Number of contact	DIM A	DIM B	DIM C	DIM D	DIM E
YXT-ZF70-04B-00 (LC)	04	4.00	1.50	2.57	3.38	2.50
YXT-ZF70-06B-00 (LC)	06	5.00	2.50	3.57	4.38	3.50
YXT-ZF70-08B-00 (LC)	08	6.00	3.50	4.57	5.38	4.50
YXT-ZF70-10B-00 (LC)	10	7.00	4.50	5.57	6.38	5.50
YXT-ZF70-12B-00 (LC)	12	8.00	5.50	6.57	7.38	6.50
YXT-ZF70-14B-00 (LC)	14	9.00	6.50	7.57	8.38	7.50
YXT-ZF70-16B-00 (LC)	16	10.00	7.50	8.57	9.38	8.50

# 0.5mm Pitch, 1.0mm Height, Back Flip FPC/FFC Connectors (ZF70 Series)

## Packing Specification



## Reel Dimensions





## 0.5mm Pitch,1.0mm Height , Back Flip FPC/FFC Connectors (ZF70 Series)

Dimension table (Unit: mm)

Part Number	Number of contact	A	B	Quantity (PC/REEL)
YXT-ZF70-04B-00(LC)	04	16	16.5	3000
YXT-ZF70-06B-00(LC)	06	16	16.5	3000
YXT-ZF70-08B-00(LC)	08	16	16.5	3000
YXT-ZF70-10B-00(LC)	10	16	16.5	3000
YXT-ZF70-12B-00(LC)	12	24	24.5	3000
YXT-ZF70-14B-00(LC)	14	24	24.5	3000
YXT-ZF70-16B-00(LC)	16	24	24.5	3000

## X-ON Electronics

Largest Supplier of Electrical and Electronic Components

*Click to view similar products for [FFC & FPC Connectors](#) category:*

*Click to view products by [YXT](#) manufacturer:*

Other Similar products are found below :

[00-6200-227-022-800](#) [006205250500825+](#) [006205280500825+](#) [FPH-1602G](#) [086222026001800](#) [52610-0675](#) [62674-201121DLF](#) [52746-1671-TR250](#) [10051922-1610EHLF](#) [10051922-2810EHLF](#) [686322124422](#) [XF3M-2915-1B-R100](#) [AYF353125A](#) [AYF530665TA](#) [AYF534065TA](#) [20FLH-RSM1-TB](#) [207356-1](#) [SFW12R-5STE9LF](#) [SFW18R-1STAE9LF](#) [SFW4R-5STE9LF](#) [52807-0430](#) [046283021002868+](#) [FFC05011-10SBB114W5M](#) [502250-8027](#) [67000-008LF](#) [200528-0260](#) [FH28K-10S-0.5SH](#) [FH52K-6S-0.5SH](#) [0.5K-DX-30PWB](#) [DS1020-08-10VBT12](#) [THD0515-34CL-GF](#) [X05A10L28G](#) [ECC2841061EU](#) [1.0K-DHQX-16PWB](#) [1.0K-DHQX-30PWB](#) [1775333-6](#) [10054365-202110ELF](#) [10054365-242110ELF](#) [10054365-282110ELF](#) [10064555-392220HLF](#) [59453-041110EBHLF](#) [59453-091110EDHLF](#) [62674-241141ALF](#) [62684-432100ALF](#) [62684-451100AHLF](#) [62684-5721N0ALF](#) [HFW11R-1STE1MTLF](#) [HFW12R-1STE9LF](#) [HFW14R-1STE9MTLF](#) [HFW18S-2STE9LF](#)