

WARRANTY CARD

There is 24 months guarantee on the product

Salesman stamp and signature, date of sale

1. ZAMEL provides a two-year warranty for its products.
2. The ZAMEL warranty does not cover:
 - a) mechanical defects resulting from transport, loading / unloading or other circumstances
 - b) defects resulting from incorrect installation or operation of ZAMEL products;
 - c) defects resulting from any changes made by CUSTOMERS or third parties, to products sold or equipment necessary for the correct operation of products sold;
 - d) defects resulting from force majeure or other aleatory events for which ZAMEL is not liable;
 - e) power supply (batteries) to be equipped with a device in the moment of sale (if they appear);
3. All complaints in relation to the warranty must be provided by the CUSTOMER in writing to the retailer after discovering a defect.;
4. ZAMEL will review complaints in accordance with existing regulations.;
5. The way a complaint is settled, e.g. replacement of the product, repair or refund, is left to the discretion of ZAMEL.
6. Guarantee does not exclude, does not limit, nor does it suspend the rights of the PURCHASER resulting from the discrepancy between the goods and the contract.

zameL

ZAMEL sp. z o.o.
43-200 Pszczyna, ul. Zielona 27; tel.: (32) 210 46 65; fax: (32) 210 80 04
e-mail: export@zamel.pl, www.zamel.com

TIME RELAY

PCP-06

Delayed switch off control for bathroom air exhaust fans

- Smooth switch on duration setting range: 10 s to 16 min
- Maximum power load: 350 W
- Can be used with single-pole backlit buttons.
- Easily adaptable to existing electrical wiring systems.
- Installation orientation: any.
- Operating temperature range: -20°C to +45°C.
- Dimensions: 50 × 50 × 18 mm
- Weight: 0.032 kg.

230 V AC; 50 Hz; 17 mA; IP20

Made in Poland



Do not dispose of this device with other waste! In order to avoid harmful effects on the environment and human health, the used device should be stored in designated areas. For this purpose, you can dispose of household waste free of charge and in any quantity to a collection point set up, as well as to the shop when you buy new equipment.

The Declaration of Conformity is available at www.zamel.com

zameL

230 V AC

exta

TIME RELAY

PCP-06

IP20 rated

Delayed switch-off

www.zamel.com

DESCRIPTION

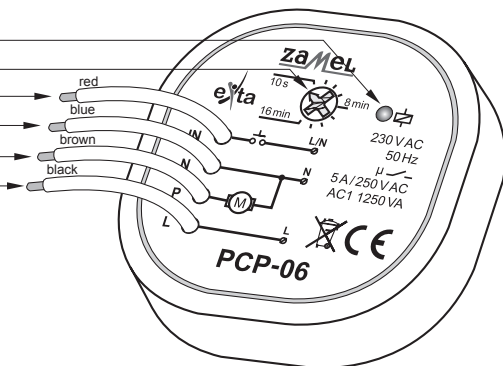
The PCP-06 time relay is designed to control electrical circuits where isolation of the power loads from supply voltage is desired with a delay after the switch-off trigger (as in e.g. control of a bathroom air exhaust fan). When voltage is applied to the control input, the relay output which feeds the wired power load is triggered. When voltage is no longer applied to the control input, the power load remains live for a delay time set by the user anywhere between 10s to 16 min; when the delay expires, the time relay is switched off, isolating the power load from voltage. The design of the product permits its installation under a control switch in a deep Ø60 back box.

TECHNICAL DATA

Power supply wiring: L (black), N (blue)
 Rated supply voltage: 230 VAC
 Supply voltage tolerance: $-15 \pm +10 \%$
 Rated mains frequency: 50 / 60 Hz
 Rated current load: 17 mA
 Trigger wire: IN (red)
 Power load supply output: (P) brown
 Time delay setting range: 10 s \pm 16 min
 Time delay setting resolution: $\pm 10 \%$
 Time delay setting repeatability: $\pm 5 \%$
 Switch-on time setting: stepless (with a rotary potentiometer)
 Power load ON indicator: red LED
 Relay contact ratings: voltage contact, 5 A / 250 V AC1 1250 VA
 Connection wires: 4
 Wiring size: 1 mm²
 Connection wiring length: 10 cm
 Operating temperature: $-20 \pm +45 \text{ }^\circ\text{C}$
 Installation orientation: any
 Housing installation method: dia. 60 mm back box
 Housing protection rating: IP20
 Overvoltage category: II
 Pollution class: 2
 Dimensions: 50 × 50 × 18 mm
 Weight: 0.032 kg

APPEARANCE

Power load ON indicator light
 Time delay setting
 Trigger wire (IN)
 Supply wire (N)
 Power load supply wire (P)
 Supply wire (L)



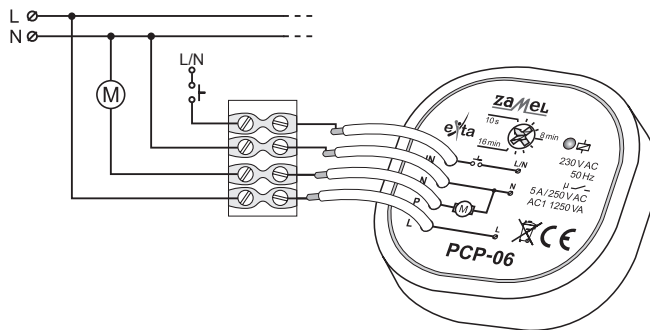
INSTALLATION

1. Isolate from power the wiring system to be connected with this product with its circuit breaker, overcurrent device or disconnector, as applicable.
2. Use a suitable tester to verify that the isolated power input wiring is not live.
3. Install the PCP-06 in a back box and wire as shown in the diagram.
4. Turn on the power of the connected wiring system.
5. Set the power load switch-on duration.

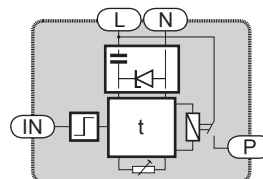
OPERATION

The product is ready for use once properly installed and wired. The power load is switched on and connected to live supply voltage when the product is triggered with a single-pole switch button. When the control input is no longer live, the power load remains live for the duration set with the switch-on time potmeter. When the duration expires, the time relay is switched off and remains so until triggered again. Mind the proper wiring order of the triggering circuit and the power load when wiring this product. Incorrect wiring connections may cause irreversible failure of the time relay.

CONNECTION



INTERNAL DIAGRAM



TIME COURSE



CAUTION

Connect this product to a single-phase power system according to applicable electrical and safety standards and regulations. See this Manual for the wiring instructions. Installation, wiring and adjustment/setting shall only be done by qualified electricians who have read and understood this User Manual and the functions of the product. Do not open or otherwise disassemble the product housing; otherwise the product warranty will be void and an electrocution hazard may occur. Prior to installing and wiring this product, make sure that the wiring to be connected is not live. Installation requires a Philips screwdriver up to 3.5 mm in size. The conditions and methods of transport, storage and operation of this product may affect its performance. Do not install the product if any of its components are missing, the product is damaged or deformed in any way. If any malfunctions are found, consult the manufacturer.

X-ON Electronics

Largest Supplier of Electrical and Electronic Components

Click to view similar products for [Timers](#) category:

Click to view products by [Zamel](#) manufacturer:

Other Similar products are found below :

[79237785](#) [H3DS-GL AC24-230/DC24-48](#) [H5AN-4DM DC12-24](#) [H5CN-XDNM AC100-240](#) [H5CN-YAN AC100-240](#) [H5CX-L8S-N AC100-240](#) [H3AMNSCAC100240](#) [H3AM-NSR-B AC100-240](#) [H3CA-8 DC12](#) [H3CR-A8-302 DC24](#) [H3CR-F AC24-48/DC12-48](#) [H3CR-G8EL AC200-240](#) [H5AN-4D DC12-24](#) [81506944](#) [88225029](#) [H5S-YB4-X](#) [H3CR-A-301 AC100-240/DC100-125](#) [H3CR-AS AC24-48/DC12-48](#) [H3DK-GE AC240-440](#) [H3RN-2 AC24](#) [H3RN-21 AC24](#) [H3CR-H8RL AC/DC24 M](#) [H3CR-H8RL AC100-120 S](#) [H3CR-G8EL-31 AC100-120](#) [H3CR-H8RL AC100-120 M](#) [H3CR-HRL AC100-120 M](#) [H3CR-A8-301 AC24-48/DC12-48](#) [H3CR-H8RL AC/DC24 S](#) [H7AN-2D DC12-24](#) [H5CN-XANS DC12-48](#) [H3CA-8 DC110](#) [H7AN-W4DM DC12-24](#) [H7AN-4DM DC12-24](#) [H7AN-4D DC12-24](#) [H7AN-RT6M AC100-240](#) [H3CA-8H AC200/220/240](#) [MTR17-BA-U240-116](#) [PM4HSDM-S-AC240VS](#) [PM4HSDM-S-AC240VSW](#) [PO-405](#) [600DT-CU](#) [H3Y-2-B DC24 30S](#) [PM4HF8-M-DC24V](#) [PM4HS-H-DC12VSW](#) [H3Y-2-B AC100-120 10S](#) [H3Y-2-B AC100-120 30S](#) [H3C-R](#) [H3CR-A8-301 24-48AC/12-48DC](#) [H3CR-A8E 24-48AC/DC](#) [H3CR-F8 100-240AC/100-125DC](#)