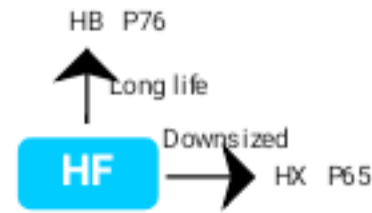


HF 系列 SERIES

Standard

RoHS

- 105度标准品
105°C Standard
- 保证105°C、2000小时寿命。(叠加纹波电流)
Endurance with ripple current: 2000 hours at 105°C
- 额定工作电压范围: 16V ~ 600V
Rated voltage range: 16V-600V



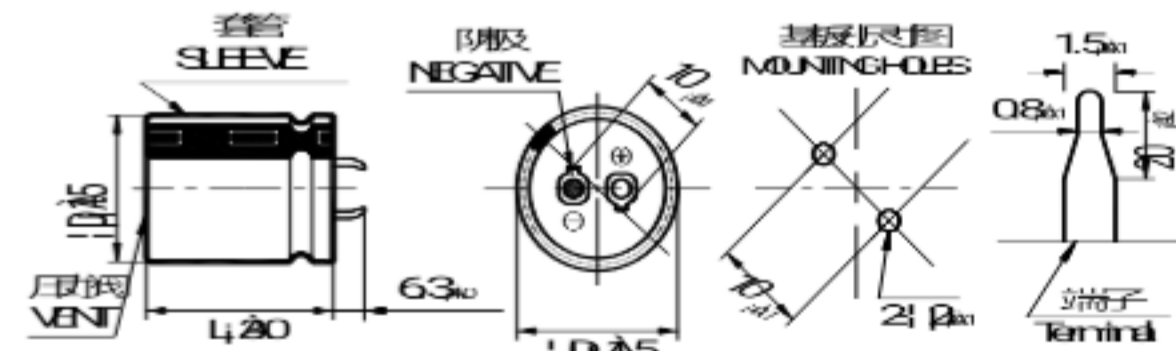
规格表 SPECIFICATIONS

| 项目 Items | 特性 Characteristics | |
|---|--|---|
| 工作温度范围 Operating Temperature Range | -40 ~ +105°C | -25 ~ +105°C |
| 额定工作电压范围 Rated Working Voltage Range | 16 ~ 100V | 160 ~ 600V |
| 静电容量允许偏差 Capacitance Tolerance | ±20% (20°C, 120Hz) | |
| 损耗角正切值 Dissipation Factor (MAX) 20°C, 120Hz | U _R (V) | 16 25 35 50 63 80 100 160 ~ 315 350 ~ 400 450 ~ 600 |
| | tanδ | 0.50 0.45 0.40 0.35 0.30 0.25 0.20 0.15 0.18 0.20 |
| 阻抗比 Impedance Ratio (MAX) 120Hz | U _R (V) | 16 ~ 100 160 ~ 200 250 315 350 ~ 400 450 ~ 600 |
| | Z _{-25°C} /Z _{+20°C} | 4 3 4 7 7 8 |
| | Z _{-40°C} /Z _{+20°C} | 18 |
| 漏电流 Leakage Current (MAX) | I = 0.01C _R U _R 或1.5mA取小者 (20°C, 施加额定电压5分钟后) I = 0.01C _R U _R or 1.5mA whichever is minimum. (at 20°C, After 5 minutes application of rated voltage) I = 漏电流 (μA) U _R = 额定电压 (V) C _R = 静电容量 (μF) Leakage Current Rated Voltage Rated Capacitance | |

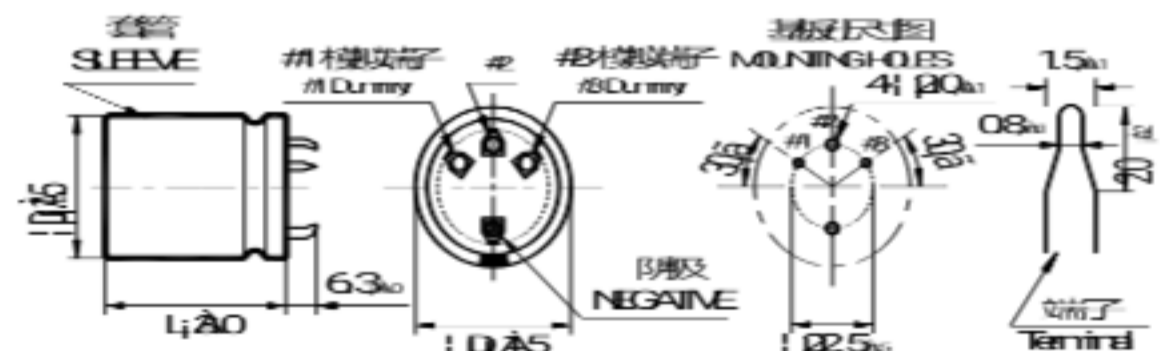
| | 使用寿命 Useful Life | 负荷寿命 Load Life | 耐久性特性 Endurance Test | 高温无负荷特性 Shelf Life |
|---|---|--|---|--|
| 产品寿命 Life Time | 4000h >180000h | 2000h | 2000h | 1000h |
| 漏电流 Leakage Current | ≤规定值 ≤Specified value | ≤规定值 ≤Specified value | ≤规定值 ≤Specified value | ≤规定值 ≤Specified value |
| 损耗角正切值变化率 tanδ Change | ≤规定值的300% ≤300% of specified value | ≤规定值的200% ≤200% of specified value | ≤规定值的200% ≤200% of specified value | ≤规定值的200% ≤200% of specified value |
| 静电容量变化率 Capacitance Change | 初始值±30%以内 Within±30% of initial value | 初始值±20%以内 Within±20% of initial value | 初始值±20%以内 Within±20% of initial value | 初始值±20%以内 Within±20% of initial value |
| 施加条件 Condition 施加电压 Applied Voltage 施加纹波电流 Applied Ripple Current 环境温度 Applied Temperature 失效率等级 Failure Rate Level | U _R I _R 105°C ≤1% Failure rate | U _R 1.4×I _R 40°C ≤1% Failure rate | U _R I _R 105°C 0% | U _R =0 I _R =0 105°C 0% Back up to 20 °C and placed more than 24 hours. U _R to be applied for 60 min before measurement. |

尺寸图 Dimensions

- 常用端子型式代码: Terminal Code



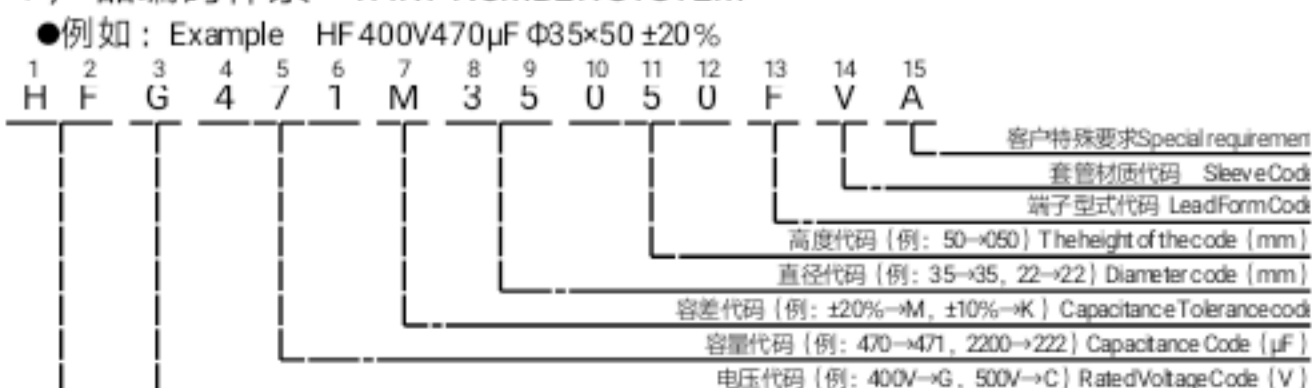
F-Type: Lock Terminal
J-Type: With short pin (4±1) Lock Terminal
Unit:mm



Φ35 O-Type
P-Type: With short pin (4±1) Lock Terminal
Unit:mm

- 记载以外的端子形状, 请另行咨询。Please consult to us for the terminal type not displayed in content.

产品编码体系 PART NUMBER SYSTEM



纹波电流修正系数 Rated Ripple Current Multiplies

● 频率修正系数 Frequency Coefficient

| 电压范围 (v) Rated voltage | 频率 (Hz) Frequency | 50 (60) | 100 (120) | 300 | 1k | ≥10k |
|---------------------------|----------------------|---------|-----------|------|------|------|
| 16 ~ 50WV | | 0.90 | 1.00 | 1.10 | 1.15 | 1.15 |
| 63 ~ 100WV | | 0.85 | 1.00 | 1.17 | 1.32 | 1.45 |
| 160 ~ 600WV | | 0.80 | 1.00 | 1.16 | 1.30 | 1.41 |

● 温度修正系数 Temperature coefficient

| 电压范围 (v) Rated voltage | 温度 (°C) Temperature | +40 | +55 | +70 | +85 | +105 |
|---------------------------|------------------------|-----|-----|-----|-----|------|
| 16 ~ 600WV | | 2.7 | 2.5 | 2.1 | 1.7 | 1.0 |

HF 系列 SERIES

◆ 产品一览表 Standard Ratings

| WV _{DC} (Surge Voltage) (V) | Cap (μ F) | Size D×L (mm) | tan δ 20°C/120Hz | Ripple Curr ent 105°C/120Hz (A rms) | Catalog Part Number | WV _{DC} (Surge Voltage) (V) | Cap (μ F) | Size D×L (mm) | tan δ 20°C/120Hz | Ripple Curr ent 105°C/120Hz (A rms) | Catalog Part Number |
|--|-------------------|---------------------|----------------------------|--|---------------------|--|-------------------|---------------------|----------------------------|--|---------------------|
| 16 (20) | 6800 | 22×25 | 0.50 | 1.61 | HFV682M22025□□VA | 35 (44) | 2700 | 22×25 | 0.40 | 1.20 | HFT272M22025□□VA |
| | 8200 | 22×25 | 0.50 | 1.76 | HFV822M22025□□VA | | 3300 | 22×30 | 0.40 | 1.52 | HFT332M22030□□VA |
| | 10000 | 22×35 | 0.50 | 2.14 | HFV103M22035□□VA | | 3300 | 25×25 | 0.40 | 1.50 | HFT332M25025□□VA |
| | 10000 | 22×30 | 0.50 | 2.00 | HFV103M22030□□VA | | 3900 | 22×30 | 0.40 | 1.65 | HFT392M22030□□VA |
| | 10000 | 25×25 | 0.50 | 2.00 | HFV103M25025□□VA | | 3900 | 25×25 | 0.40 | 1.61 | HFT392M25025□□VA |
| | 12000 | 22×35 | 0.50 | 2.28 | HFV123M22035□□VA | | 4700 | 22×35 | 0.40 | 1.95 | HFT472M22035□□VA |
| | 12000 | 25×30 | 0.50 | 2.30 | HFV123M25030□□VA | | 4700 | 25×30 | 0.40 | 1.92 | HFT472M25030□□VA |
| | 12000 | 30×25 | 0.50 | 2.38 | HFV123M30025□□VA | | 4700 | 30×25 | 0.40 | 1.90 | HFT472M30025□□VA |
| | 15000 | 22×40 | 0.50 | 2.64 | HFV153M22040□□VA | | 5600 | 22×40 | 0.40 | 2.14 | HFT562M22040□□VA |
| | 15000 | 25×30 | 0.50 | 2.51 | HFV153M25030□□VA | | 5600 | 25×30 | 0.40 | 2.05 | HFT562M25030□□VA |
| | 15000 | 30×25 | 0.50 | 2.66 | HFV153M30025□□VA | | 5600 | 30×25 | 0.40 | 2.13 | HFT562M30025□□VA |
| | 18000 | 22×45 | 0.50 | 2.98 | HFV183M22045□□VA | | 6800 | 22×45 | 0.40 | 2.30 | HFT682M22045□□VA |
| | 18000 | 25×35 | 0.50 | 3.00 | HFV183M25035□□VA | | 6800 | 25×35 | 0.40 | 2.32 | HFT682M25035□□VA |
| | 18000 | 30×30 | 0.50 | 3.00 | HFV183M30030□□VA | | 6800 | 30×30 | 0.40 | 2.35 | HFT682M30030□□VA |
| | 18000 | 35×25 | 0.50 | 3.10 | HFV183M35025□□VA | | 6800 | 35×25 | 0.40 | 2.33 | HFT682M35025□□VA |
| | 22000 | 25×40 | 0.50 | 3.23 | HFV223M25040□□VA | | 8200 | 22×50 | 0.40 | 2.68 | HFT822M22050□□VA |
| | 22000 | 30×35 | 0.50 | 3.39 | HFV223M30035□□VA | | 8200 | 25×40 | 0.40 | 2.62 | HFT822M25040□□VA |
| | 22000 | 35×25 | 0.50 | 3.43 | HFV223M35025□□VA | | 8200 | 30×30 | 0.40 | 2.60 | HFT822M30030□□VA |
| | 27000 | 25×50 | 0.50 | 3.81 | HFV273M25050□□VA | | 8200 | 35×25 | 0.40 | 2.79 | HFT822M35025□□VA |
| | 27000 | 30×35 | 0.50 | 4.08 | HFV273M30035□□VA | | 10000 | 25×45 | 0.40 | 2.92 | HFT103M25045□□VA |
| | 27000 | 35×30 | 0.50 | 3.74 | HFV273M35030□□VA | | 10000 | 30×35 | 0.40 | 2.95 | HFT103M30035□□VA |
| | 33000 | 30×45 | 0.50 | 4.30 | HFV333M30045□□VA | | 10000 | 35×30 | 0.40 | 2.98 | HFT103M35030□□VA |
| | 33000 | 35×35 | 0.50 | 4.24 | HFV333M35035□□VA | | 12000 | 25×50 | 0.40 | 3.26 | HFT123M25050□□VA |
| | 39000 | 30×50 | 0.50 | 4.74 | HFV393M30050□□VA | | 12000 | 30×40 | 0.40 | 3.28 | HFT123M30040□□VA |
| | 39000 | 35×35 | 0.50 | 4.70 | HFV393M35035□□VA | | 12000 | 35×30 | 0.40 | 3.22 | HFT123M35030□□VA |
| | 47000 | 30×55 | 0.50 | 5.30 | HFV473M30055□□VA | | 15000 | 30×45 | 0.40 | 3.74 | HFT153M30045□□VA |
| | 47000 | 35×40 | 0.50 | 5.27 | HFV473M35040□□VA | | 15000 | 35×35 | 0.40 | 3.70 | HFT153M35035□□VA |
| | 56000 | 30×60 | 0.50 | 5.90 | HFV563M30060□□VA | | 18000 | 30×50 | 0.40 | 4.20 | HFT183M30050□□VA |
| | 56000 | 35×45 | 0.50 | 5.80 | HFV563M35045□□VA | | 18000 | 35×40 | 0.40 | 4.16 | HFT183M35040□□VA |
| | 68000 | 35×55 | 0.50 | 6.20 | HFV683M35055□□VA | | 22000 | 35×50 | 0.40 | 4.92 | HFT223M35050□□VA |
| 82000 | 35×60 | 0.50 | 6.30 | HFV823M35060□□VA | 27000 | | 35×55 | 0.40 | 5.50 | HFT273M35055□□VA | |
| 50 (63) | 4700 | 22×25 | 0.45 | 1.55 | HFU472M22025□□VA | | 1500 | 22×25 | 0.35 | 1.22 | HFR152M22025□□VA |
| | 5600 | 22×30 | 0.45 | 1.75 | HFU562M22030□□VA | | 1800 | 22×25 | 0.35 | 1.32 | HFR182M22025□□VA |
| | 6800 | 22×30 | 0.45 | 1.91 | HFU682M22030□□VA | | 2200 | 22×30 | 0.35 | 1.45 | HFR222M22030□□VA |
| | 6800 | 25×25 | 0.45 | 1.90 | HFU682M25025□□VA | | 2200 | 25×25 | 0.35 | 1.47 | HFR222M25025□□VA |
| | 8200 | 22×35 | 0.45 | 2.14 | HFU822M22035□□VA | | 2700 | 22×30 | 0.35 | 1.70 | HFR272M22030□□VA |
| | 8200 | 25×30 | 0.45 | 2.16 | HFU822M25030□□VA | | 2700 | 25×25 | 0.35 | 1.72 | HFR272M25025□□VA |
| | 8200 | 30×25 | 0.45 | 2.25 | HFU822M30025□□VA | | 3300 | 22×35 | 0.35 | 1.99 | HFR332M22035□□VA |
| | 10000 | 22×40 | 0.45 | 2.40 | HFU103M22040□□VA | | 3300 | 25×30 | 0.35 | 2.01 | HFR332M25030□□VA |
| | 10000 | 25×35 | 0.45 | 2.44 | HFU103M25035□□VA | | 3300 | 30×25 | 0.35 | 2.03 | HFR332M30025□□VA |
| | 10000 | 30×25 | 0.45 | 2.41 | HFU103M30025□□VA | | 3900 | 22×40 | 0.35 | 2.25 | HFR392M22040□□VA |
| | 12000 | 22×45 | 0.45 | 2.69 | HFU123M22045□□VA | | 3900 | 25×35 | 0.35 | 2.28 | HFR392M25035□□VA |
| | 12000 | 25×40 | 0.45 | 2.74 | HFU123M25040□□VA | | 3900 | 30×25 | 0.35 | 2.22 | HFR392M30025□□VA |
| | 12000 | 30×30 | 0.45 | 2.70 | HFU123M30030□□VA | | 4700 | 22×45 | 0.35 | 2.56 | HFR472M22045□□VA |
| | 12000 | 35×25 | 0.45 | 2.80 | HFU123M35025□□VA | 4700 | 25×40 | 0.35 | 2.60 | HFR472M25040□□VA | |
| | 15000 | 25×45 | 0.45 | 3.15 | HFU153M25045□□VA | 4700 | 30×30 | 0.35 | 2.58 | HFR472M30030□□VA | |
| | 15000 | 30×35 | 0.45 | 3.13 | HFU153M30035□□VA | 4700 | 35×25 | 0.35 | 2.67 | HFR472M35025□□VA | |
| | 15000 | 35×25 | 0.45 | 3.20 | HFU153M35025□□VA | 5600 | 22×50 | 0.35 | 2.90 | HFR562M22050□□VA | |
| | 18000 | 25×50 | 0.45 | 3.54 | HFU183M25050□□VA | 5600 | 25×40 | 0.35 | 2.82 | HFR562M25040□□VA | |
| | 18000 | 30×40 | 0.45 | 3.58 | HFU183M30040□□VA | 5600 | 30×35 | 0.35 | 2.95 | HFR562M30035□□VA | |
| | 18000 | 35×30 | 0.45 | 3.55 | HFU183M35030□□VA | 5600 | 35×25 | 0.35 | 3.00 | HFR562M35025□□VA | |
| | 22000 | 30×45 | 0.45 | 4.24 | HFU223M30045□□VA | 6800 | 25×50 | 0.35 | 3.38 | HFR682M25050□□VA | |
| | 22000 | 35×35 | 0.45 | 4.00 | HFU223M35035□□VA | 6800 | 30×40 | 0.35 | 3.40 | HFR682M30040□□VA | |
| | 27000 | 30×50 | 0.45 | 4.75 | HFU273M30050□□VA | 6800 | 35×30 | 0.35 | 3.32 | HFR682M35030□□VA | |
| | 27000 | 35×40 | 0.45 | 4.70 | HFU273M35040□□VA | 8200 | 30×45 | 0.35 | 3.72 | HFR822M30045□□VA | |
| | 33000 | 30×60 | 0.45 | 5.39 | HFU333M30060□□VA | 8200 | 35×35 | 0.35 | 3.67 | HFR822M35035□□VA | |
| | 33000 | 35×45 | 0.45 | 5.35 | HFU333M35045□□VA | 10000 | 30×50 | 0.35 | 4.10 | HFR103M30050□□VA | |
| | 39000 | 35×50 | 0.45 | 5.70 | HFU393M35050□□VA | 10000 | 35×40 | 0.35 | 4.08 | HFR103M35040□□VA | |
| | 47000 | 35×60 | 0.45 | 6.20 | HFU473M35060□□VA | | | | | | |

*产品编码中□内为产品端子引出型式代码
*□Enter the appropriate terminal code

HF 系列 SERIES

◆产品一览表 Standard Ratings

| WV _{DC} (Surge Voltage) (V) | Cap (μ F) | Size DxL (mm) | tan δ 20°C120Hz | Ripple Curr ent 105°C120Hz (Arms) | Catalog Part Number | WV _{DC} (Surge Voltage) (V) | Cap (μ F) | Size DxL (mm) | tan δ 20°C120Hz | Ripple Curr ent 105°C120Hz (Arms) | Catalog Part Number |
|--|-------------------|---------------------|---------------------------|--|---------------------|--|-------------------|---------------------|---------------------------|--|---------------------|
| 50 (63) | 12000 | 30x55 | 0.35 | 4.52 | HFR123M30055□VA | 80 (100) | 5600 | 30x55 | 0.25 | 3.80 | HFP562M30055□VA |
| | 12000 | 35x45 | 0.35 | 4.50 | HFR123M35045□VA | | 5600 | 35x40 | 0.25 | 3.80 | HFP562M35040□VA |
| | 15000 | 35x50 | 0.35 | 4.80 | HFR153M35050□VA | | 6800 | 30x60 | 0.25 | 3.90 | HFP682M30060□VA |
| | 18000 | 35x60 | 0.35 | 5.10 | HFR183M35060□VA | | 6800 | 35x45 | 0.25 | 3.90 | HFP682M35045□VA |
| 63 (79) | 1000 | 22x25 | 0.30 | 1.15 | HFQ102M22025□VA | 8200 | 35x55 | 0.25 | 4.20 | HFP822M35055□VA | |
| | 1200 | 22x25 | 0.30 | 1.26 | HFQ122M22025□VA | 10000 | 35x60 | 0.25 | 4.48 | HFP103M35060□VA | |
| | 1500 | 22x30 | 0.30 | 1.45 | HFQ152M22030□VA | 470 | 22x25 | 0.20 | 0.92 | HFO471M22025□VA | |
| | 1500 | 25x25 | 0.30 | 1.47 | HFQ152M25025□VA | 560 | 22x25 | 0.20 | 1.07 | HFO561M22025□VA | |
| | 1800 | 22x30 | 0.30 | 1.53 | HFQ182M22030□VA | 680 | 22x30 | 0.20 | 1.15 | HFO681M22030□VA | |
| | 1800 | 25x25 | 0.30 | 1.53 | HFQ182M25025□VA | 680 | 25x25 | 0.20 | 1.15 | HFO681M25025□VA | |
| | 2200 | 22x35 | 0.30 | 1.73 | HFQ222M22035□VA | 820 | 22x30 | 0.20 | 1.35 | HFO821M22030□VA | |
| | 2200 | 25x30 | 0.30 | 1.75 | HFQ222M25030□VA | 820 | 25x25 | 0.20 | 1.35 | HFO821M25025□VA | |
| | 2200 | 30x25 | 0.30 | 1.78 | HFQ222M30025□VA | 1000 | 22x35 | 0.20 | 1.54 | HFO102M22035□VA | |
| | 2700 | 22x40 | 0.30 | 1.98 | HFQ272M22040□VA | 1000 | 25x30 | 0.20 | 1.56 | HFO102M25030□VA | |
| | 2700 | 25x35 | 0.30 | 2.00 | HFQ272M25035□VA | 1000 | 30x25 | 0.20 | 1.52 | HFO102M30025□VA | |
| | 2700 | 30x25 | 0.30 | 1.95 | HFQ272M30025□VA | 1200 | 22x40 | 0.20 | 1.74 | HFO122M22040□VA | |
| | 3300 | 22x45 | 0.30 | 2.30 | HFQ332M22045□VA | 1200 | 25x35 | 0.20 | 1.76 | HFO122M25035□VA | |
| | 3300 | 25x40 | 0.30 | 2.28 | HFQ332M25040□VA | 1200 | 30x25 | 0.20 | 1.71 | HFO122M30025□VA | |
| | 3300 | 30x30 | 0.30 | 2.25 | HFQ332M30030□VA | 1500 | 22x50 | 0.20 | 1.99 | HFO152M22050□VA | |
| | 3300 | 35x25 | 0.30 | 2.42 | HFQ332M35025□VA | 1500 | 25x40 | 0.20 | 2.03 | HFO152M25040□VA | |
| | 3900 | 25x45 | 0.30 | 2.55 | HFQ392M25045□VA | 1500 | 30x30 | 0.20 | 2.00 | HFO152M30030□VA | |
| | 3900 | 30x35 | 0.30 | 2.56 | HFQ392M30035□VA | 1500 | 35x25 | 0.20 | 2.08 | HFO152M35025□VA | |
| | 3900 | 35x25 | 0.30 | 2.60 | HFQ392M35025□VA | 1800 | 25x45 | 0.20 | 2.28 | HFO182M25045□VA | |
| | 4700 | 25x50 | 0.30 | 2.89 | HFQ472M25050□VA | 1800 | 30x35 | 0.20 | 2.27 | HFO182M30035□VA | |
| | 4700 | 30x35 | 0.30 | 2.86 | HFQ472M30035□VA | 1800 | 35x25 | 0.20 | 2.20 | HFO182M35025□VA | |
| | 4700 | 35x30 | 0.30 | 2.84 | HFQ472M35030□VA | 2200 | 25x50 | 0.20 | 2.57 | HFO222M25050□VA | |
| | 5600 | 30x40 | 0.30 | 3.26 | HFQ562M30040□VA | 2200 | 30x40 | 0.20 | 2.59 | HFO222M30040□VA | |
| | 5600 | 35x35 | 0.30 | 3.24 | HFQ562M35035□VA | 2200 | 35x30 | 0.20 | 2.52 | HFO222M35030□VA | |
| | 6800 | 30x50 | 0.30 | 3.74 | HFQ682M30050□VA | 2200 | 25x40 | 0.20 | 2.33 | HFO222M25040□VA | |
| | 6800 | 35x35 | 0.30 | 3.70 | HFQ682M35035□VA | 2700 | 30x45 | 0.20 | 2.94 | HFO272M30045□VA | |
| | 8200 | 30x55 | 0.30 | 4.10 | HFQ822M30055□VA | 2700 | 35x35 | 0.20 | 2.90 | HFO272M35035□VA | |
| | 8200 | 35x40 | 0.30 | 4.00 | HFQ822M35040□VA | 3300 | 30x50 | 0.20 | 3.32 | HFO332M30050□VA | |
| 10000 | 35x50 | 0.30 | 4.70 | HFQ103M35050□VA | 3300 | 35x40 | 0.20 | 3.31 | HFO332M35040□VA | | |
| 12000 | 35x55 | 0.30 | 4.90 | HFQ123M35055□VA | 3900 | 30x60 | 0.20 | 3.60 | HFO392M30060□VA | | |
| 80 (100) | 820 | 22x25 | 0.25 | 1.12 | HFP821M22025□VA | 3900 | 35x45 | 0.20 | 3.69 | HFO392M35045□VA | |
| | 1000 | 22x25 | 0.25 | 1.25 | HFP102M22025□VA | 4700 | 35x50 | 0.20 | 4.14 | HFO472M35050□VA | |
| | 1200 | 22x30 | 0.25 | 1.40 | HFP122M22030□VA | 5600 | 35x60 | 0.20 | 4.70 | HFO562M35060□VA | |
| | 1200 | 25x25 | 0.25 | 1.40 | HFP122M25025□VA | 6800 | 35x65 | 0.20 | 5.40 | HFO682M35065□VA | |
| | 1500 | 22x35 | 0.25 | 1.61 | HFP152M22035□VA | 180 | 22x25 | 0.15 | 0.70 | HFN181M22025□VA | |
| | 1500 | 25x30 | 0.25 | 1.62 | HFP152M25030□VA | 220 | 22x25 | 0.15 | 0.78 | HFN221M22025□VA | |
| | 1800 | 22x40 | 0.25 | 1.83 | HFP182M22040□VA | 270 | 22x30 | 0.15 | 1.10 | HFN271M22030□VA | |
| | 1800 | 25x30 | 0.25 | 1.82 | HFP182M25030□VA | 330 | 22x30 | 0.15 | 1.20 | HFN331M22030□VA | |
| | 1800 | 30x25 | 0.25 | 1.81 | HFP182M30025□VA | 330 | 25x25 | 0.15 | 1.22 | HFN331M25025□VA | |
| | 2200 | 22x45 | 0.25 | 2.09 | HFP222M22045□VA | 390 | 22x35 | 0.15 | 1.30 | HFN391M22035□VA | |
| | 2200 | 25x35 | 0.25 | 2.01 | HFP222M25035□VA | 390 | 25x30 | 0.15 | 1.32 | HFN391M25030□VA | |
| | 2200 | 30x30 | 0.25 | 2.10 | HFP222M30030□VA | 390 | 30x25 | 0.15 | 1.31 | HFN391M30025□VA | |
| | 2200 | 35x25 | 0.25 | 2.17 | HFP222M35025□VA | 470 | 22x40 | 0.15 | 1.55 | HFN471M22040□VA | |
| | 2700 | 22x50 | 0.25 | 2.43 | HFP272M22050□VA | 470 | 25x35 | 0.15 | 1.58 | HFN471M25035□VA | |
| | 2700 | 25x40 | 0.25 | 2.43 | HFP272M25040□VA | 470 | 30x25 | 0.15 | 1.56 | HFN471M30025□VA | |
| | 2700 | 30x30 | 0.25 | 2.43 | HFP272M30030□VA | 560 | 22x45 | 0.15 | 1.67 | HFN561M22045□VA | |
| | 2700 | 35x25 | 0.25 | 2.43 | HFP272M35025□VA | 560 | 25x35 | 0.15 | 1.69 | HFN561M25035□VA | |
| | 3300 | 25x50 | 0.25 | 2.76 | HFP332M25050□VA | 560 | 30x30 | 0.15 | 1.68 | HFN561M30030□VA | |
| | 3300 | 30x35 | 0.25 | 2.72 | HFP332M30035□VA | 680 | 22x50 | 0.15 | 1.82 | HFN681M22050□VA | |
| | 3300 | 35x30 | 0.25 | 2.71 | HFP332M35030□VA | 680 | 25x40 | 0.15 | 1.85 | HFN681M25040□VA | |
| | 3900 | 30x40 | 0.25 | 3.00 | HFP392M30040□VA | 680 | 30x30 | 0.15 | 1.84 | HFN681M30030□VA | |
| | 3900 | 35x30 | 0.25 | 2.97 | HFP392M35030□VA | 680 | 35x25 | 0.15 | 1.83 | HFN681M35025□VA | |
| | 4700 | 30x45 | 0.25 | 3.34 | HFP472M30045□VA | 820 | 25x45 | 0.15 | 2.04 | HFN821M25045□VA | |
| | 4700 | 35x40 | 0.25 | 3.38 | HFP472M35040□VA | 820 | 30x35 | 0.15 | 2.06 | HFN821M30035□VA | |

4700 25×50 0.25 3.16 HFP472M25050□□VA

820 35×30 0.15 2.05 HFN821M35030□□VA

*产品编码中□内为产品端子引出型式代码
*□Enter the appropriate terminal code

HF 系列 SERIES

◆产品一览表 Standard Ratings

| W _{VDC} (Surge Voltage) (V) | Cap (μF) | Size D×L (mm) | tanδ 20°C/120Hz | Ripple Current 105°C/120Hz (Arms) | Catalog Part Number | W _{VDC} (Surge Voltage) (V) | Cap (μF) | Size D×L (mm) | tanδ 20°C/120Hz | Ripple Current 105°C/120Hz (Arms) | Catalog Part Number |
|--|-------------|---------------------|--------------------|---|---------------------|--|-------------|---------------------|--------------------|---|---------------------|
| 160 (200) | 1000 | 25×50 | 0.15 | 2.40 | HFN102M25050□□VA | 250 (300) | 390 | 25×40 | 0.15 | 1.50 | HFJ391M25040□□VA |
| | 1000 | 30×40 | 0.15 | 2.25 | HFN102M30040□□VA | | 390 | 30×30 | 0.15 | 1.45 | HFJ391M30030□□VA |
| | 1000 | 35×30 | 0.15 | 2.28 | HFN102M35030□□VA | | 390 | 35×25 | 0.15 | 1.45 | HFJ391M35025□□VA |
| | 1200 | 30×45 | 0.15 | 3.49 | HFN122M30045□□VA | | 470 | 22×50 | 0.15 | 1.37 | HFJ471M22050□□VA |
| | 1200 | 35×35 | 0.15 | 3.49 | HFN122M35035□□VA | | 470 | 25×40 | 0.15 | 1.52 | HFJ471M25040□□VA |
| | 1500 | 30×50 | 0.15 | 2.84 | HFN152M30050□□VA | | 470 | 30×30 | 0.15 | 1.36 | HFJ471M30030□□VA |
| | 1500 | 35×40 | 0.15 | 2.86 | HFN152M35040□□VA | | 470 | 35×25 | 0.15 | 1.40 | HFJ471M35025□□VA |
| | 1800 | 30×60 | 0.15 | 3.32 | HFN182M30060□□VA | | 560 | 25×45 | 0.15 | 1.60 | HFJ561M25045□□VA |
| | 1800 | 35×45 | 0.15 | 3.32 | HFN182M35045□□VA | | 560 | 30×35 | 0.15 | 1.57 | HFJ561M30035□□VA |
| | 2200 | 35×55 | 0.15 | 3.60 | HFN222M35055□□VA | | 560 | 35×30 | 0.15 | 1.56 | HFJ561M35030□□VA |
| | 2700 | 35×60 | 0.15 | 4.16 | HFN272M35060□□VA | | 680 | 25×50 | 0.15 | 1.66 | HFJ681M25050□□VA |
| 200 (250) | 150 | 22×25 | 0.15 | 0.70 | HFL151M22025□□VA | 680 | 30×40 | 0.15 | 1.76 | HFJ681M30040□□VA | |
| | 180 | 22×25 | 0.15 | 0.80 | HFL181M22025□□VA | 680 | 35×35 | 0.15 | 1.75 | HFJ681M35035□□VA | |
| | 220 | 22×25 | 0.15 | 1.00 | HFL221M22025□□VA | 820 | 30×50 | 0.15 | 1.91 | HFJ821M30050□□VA | |
| | 270 | 22×30 | 0.15 | 1.10 | HFL271M22030□□VA | 820 | 35×40 | 0.15 | 1.90 | HFJ821M35040□□VA | |
| | 270 | 25×25 | 0.15 | 1.10 | HFL271M25025□□VA | 1000 | 30×50 | 0.15 | 1.99 | HFJ102M30050□□VA | |
| | 330 | 22×35 | 0.15 | 1.25 | HFL331M22035□□VA | 1000 | 35×40 | 0.15 | 1.99 | HFJ102M35040□□VA | |
| | 330 | 25×25 | 0.15 | 1.25 | HFL331M25025□□VA | 1200 | 35×50 | 0.15 | 2.19 | HFJ122M35050□□VA | |
| | 390 | 22×35 | 0.15 | 1.35 | HFL391M22035□□VA | 1500 | 35×60 | 0.15 | 2.65 | HFJ152M35060□□VA | |
| | 390 | 25×30 | 0.15 | 1.35 | HFL391M25030□□VA | 315 (365) | 82 | 22×25 | 0.15 | 0.64 | HH820M22025□□VA |
| | 390 | 30×25 | 0.15 | 1.35 | HFL391M30025□□VA | | 100 | 22×25 | 0.15 | 0.69 | HH101M22025□□VA |
| | 470 | 22×35 | 0.15 | 1.40 | HFL471M22035□□VA | | 120 | 22×30 | 0.15 | 0.75 | HH121M22030□□VA |
| | 470 | 25×35 | 0.15 | 1.47 | HFL471M25035□□VA | | 120 | 25×25 | 0.15 | 0.74 | HH121M25025□□VA |
| | 470 | 30×25 | 0.15 | 1.56 | HFL471M30025□□VA | | 150 | 22×35 | 0.15 | 0.82 | HH151M22035□□VA |
| | 560 | 22×45 | 0.15 | 1.58 | HFL561M22045□□VA | | 150 | 25×30 | 0.15 | 0.82 | HH151M25030□□VA |
| | 560 | 25×35 | 0.15 | 1.65 | HFL561M25035□□VA | | 180 | 22×40 | 0.15 | 0.86 | HH181M22040□□VA |
| | 560 | 30×30 | 0.15 | 1.62 | HFL561M30030□□VA | | 180 | 25×35 | 0.15 | 0.86 | HH181M25035□□VA |
| | 560 | 35×25 | 0.15 | 1.60 | HFL561M35025□□VA | | 180 | 30×25 | 0.15 | 0.85 | HH181M30025□□VA |
| | 680 | 25×45 | 0.15 | 1.80 | HFL681M25045□□VA | | 220 | 22×45 | 0.15 | 0.98 | HH221M22045□□VA |
| | 680 | 30×35 | 0.15 | 1.82 | HFL681M30035□□VA | | 220 | 25×40 | 0.15 | 1.04 | HH221M25040□□VA |
| | 680 | 35×25 | 0.15 | 1.96 | HFL681M35025□□VA | 220 | 30×30 | 0.15 | 1.03 | HH221M30030□□VA | |
| | 820 | 25×50 | 0.15 | 1.87 | HFL821M25050□□VA | 270 | 22×50 | 0.15 | 1.10 | HH271M22050□□VA | |
| | 820 | 30×40 | 0.15 | 1.99 | HFL821M30040□□VA | 270 | 25×45 | 0.15 | 1.16 | HH271M25045□□VA | |
| | 820 | 35×30 | 0.15 | 2.07 | HFL821M35030□□VA | 270 | 30×35 | 0.15 | 1.16 | HH271M30035□□VA | |
| | 1000 | 30×45 | 0.15 | 2.17 | HFL102M30045□□VA | 270 | 35×25 | 0.15 | 1.15 | HH271M35025□□VA | |
| | 1000 | 35×35 | 0.15 | 2.22 | HFL102M35035□□VA | 330 | 25×50 | 0.15 | 1.33 | HH331M25050□□VA | |
| | 1200 | 30×50 | 0.15 | 2.23 | HFL122M30050□□VA | 330 | 30×40 | 0.15 | 1.32 | HH331M30040□□VA | |
| | 1200 | 35×40 | 0.15 | 2.42 | HFL122M35040□□VA | 330 | 35×30 | 0.15 | 1.31 | HH331M35030□□VA | |
| 1500 | 30×60 | 0.15 | 2.60 | HFL152M30060□□VA | 390 | 30×45 | 0.15 | 1.40 | HH391M30045□□VA | | |
| 1500 | 35×45 | 0.15 | 2.59 | HFL152M35045□□VA | 390 | 35×35 | 0.15 | 1.47 | HH391M35035□□VA | | |
| 1800 | 35×50 | 0.15 | 2.70 | HFL182M35050□□VA | 470 | 30×50 | 0.15 | 1.70 | HH471M30050□□VA | | |
| 2200 | 35×60 | 0.15 | 3.20 | HFL222M35060□□VA | 470 | 35×40 | 0.15 | 1.70 | HH471M35040□□VA | | |
| 250 (300) | 100 | 22×25 | 0.15 | 0.50 | HFJ101M22025□□VA | 560 | 30×55 | 0.15 | 1.95 | HH561M30055□□VA | |
| | 120 | 22×25 | 0.15 | 0.58 | HFJ121M22025□□VA | 560 | 35×45 | 0.15 | 2.05 | HH561M35045□□VA | |
| | 150 | 22×30 | 0.15 | 0.79 | HFJ151M22030□□VA | 680 | 30×60 | 0.15 | 2.17 | HH681M30060□□VA | |
| | 150 | 25×25 | 0.15 | 0.79 | HFJ151M25025□□VA | 680 | 35×50 | 0.15 | 2.17 | HH681M35050□□VA | |
| | 180 | 22×30 | 0.15 | 0.94 | HFJ181M22030□□VA | 820 | 35×55 | 0.15 | 2.20 | HH821M35055□□VA | |
| | 180 | 25×25 | 0.15 | 0.90 | HFJ181M25025□□VA | 1000 | 35×60 | 0.15 | 2.48 | HH102M35060□□VA | |
| | 220 | 22×35 | 0.15 | 1.10 | HFJ221M22035□□VA | 350 (400) | 68 | 22×25 | 0.18 | 0.56 | HH680M22025□□VA |
| | 220 | 25×30 | 0.15 | 1.15 | HFJ221M25030□□VA | | 82 | 22×25 | 0.18 | 0.63 | HH820M22025□□VA |
| | 270 | 22×40 | 0.15 | 1.18 | HFJ271M22040□□VA | | 100 | 22×30 | 0.18 | 0.70 | HH101M22030□□VA |
| | 270 | 25×35 | 0.15 | 1.27 | HFJ271M25035□□VA | | 100 | 25×25 | 0.18 | 0.70 | HH101M25025□□VA |
| | 270 | 30×25 | 0.15 | 1.27 | HFJ271M30025□□VA | | 120 | 22×35 | 0.18 | 0.73 | HH121M22035□□VA |
| | 330 | 22×45 | 0.15 | 1.30 | HFJ331M22045□□VA | | 120 | 25×25 | 0.18 | 0.72 | HH121M25025□□VA |
| | 330 | 25×35 | 0.15 | 1.30 | HFJ331M25035□□VA | | 150 | 22×40 | 0.18 | 0.79 | HH151M22040□□VA |
| | 330 | 30×30 | 0.15 | 1.35 | HFJ331M30030□□VA | | 150 | 25×30 | 0.18 | 0.82 | HH151M25030□□VA |

| | | | | |
|-----|-------|------|------|-----------------|
| 330 | 35×25 | 0.15 | 1.30 | HFJ331M35025□VA |
| 390 | 22×50 | 0.15 | 1.45 | HFJ391M22050□VA |

| | | | | |
|-----|-------|------|------|-----------------|
| 150 | 30×25 | 0.18 | 0.82 | HFH151M30025□VA |
| 180 | 22×45 | 0.18 | 0.89 | HFH181M22045□VA |

*产品编码中□内为产品端子引出型式代码
*□Enter the appropriate terminal code

HF 系列 SERIES

◆产品一览表 Standard Ratings

| WV _{DC} (Surge Voltage) (V) | Cap (μF) | Size D×L (mm) | tanδ 20°C120Hz | Ripple Curr ent 105°C120Hz (Arms) | Catalog Part Number |
|--|-------------|---------------------|-------------------|--|---------------------|
| 350 (400) | 180 | 25×35 | 0.18 | 0.89 | HFH181M25035□VA |
| | 180 | 30×25 | 0.18 | 0.85 | HFH181M30025□VA |
| | 220 | 22×50 | 0.18 | 0.93 | HFH221M22050□VA |
| | 220 | 25×40 | 0.18 | 0.97 | HFH221M25040□VA |
| | 220 | 30×30 | 0.18 | 0.96 | HFH221M30030□VA |
| | 220 | 35×25 | 0.18 | 0.98 | HFH221M35025□VA |
| | 270 | 25×50 | 0.18 | 1.16 | HFH271M25050□VA |
| | 270 | 30×35 | 0.18 | 1.14 | HFH271M30035□VA |
| | 270 | 35×30 | 0.18 | 1.14 | HFH271M35030□VA |
| | 330 | 25×45 | 0.18 | 1.22 | HFH331M25045□VA |
| | 330 | 30×45 | 0.18 | 1.34 | HFH331M30045□VA |
| | 330 | 35×35 | 0.18 | 1.34 | HFH331M35035□VA |
| | 390 | 30×50 | 0.18 | 1.54 | HFH391M30050□VA |
| | 390 | 35×40 | 0.18 | 1.54 | HFH391M35040□VA |
| | 470 | 30×50 | 0.18 | 1.68 | HFH471M30050□VA |
| | 470 | 35×45 | 0.18 | 1.76 | HFH471M35045□VA |
| | 560 | 30×60 | 0.18 | 1.98 | HFH561M30060□VA |
| | 560 | 35×50 | 0.18 | 1.95 | HFH561M35050□VA |
| | 680 | 35×55 | 0.18 | 2.20 | HFH681M35055□VA |
| | 820 | 35×60 | 0.18 | 2.56 | HFH821M35060□VA |
| | 1000 | 35×60 | 0.18 | 2.85 | HFH102M35060□VA |
| | 1000 | 35×65 | 0.18 | 2.90 | HFH102M35065□VA |
| | 1000 | 40×55 | 0.18 | 2.90 | HFH102M40055□VA |
| | 1200 | 35×75 | 0.18 | 3.60 | HFH122M35075□VA |
| | 1200 | 40×65 | 0.18 | 3.66 | HFH122M40065□VA |
| | 1500 | 40×80 | 0.18 | 4.36 | HFH152M40080□VA |
| | 1500 | 45×65 | 0.18 | 4.22 | HFH152M45065□VA |
| | 1800 | 40×95 | 0.18 | 5.12 | HFH182M40095□VA |
| | 1800 | 45×75 | 0.18 | 4.92 | HFH182M45075□VA |
| | 2200 | 45×90 | 0.18 | 5.80 | HFH222M45090□VA |
| | 2200 | 50×75 | 0.18 | 5.60 | HFH222M50075□VA |
| | 2700 | 45×100 | 0.18 | 6.53 | HFH272M45100□VA |
| | 2700 | 50×90 | 0.18 | 6.61 | HFH272M50090□VA |
| 3300 | 50×105 | 0.18 | 7.70 | HFH332M50105□VA | |
| 400 (450) | 47 | 22×25 | 0.18 | 0.40 | HFG470M22025□VA |
| | 56 | 22×25 | 0.18 | 0.51 | HFG560M22025□VA |
| | 68 | 22×25 | 0.18 | 0.55 | HFG680M22025□VA |
| | 82 | 22×30 | 0.18 | 0.64 | HFG820M22030□VA |
| | 82 | 25×25 | 0.18 | 0.64 | HFG820M25025□VA |
| | 100 | 22×30 | 0.18 | 0.70 | HFG101M22030□VA |
| | 100 | 22×20 | 0.18 | 0.59 | HFG101M22020□VA |
| | 100 | 22×25 | 0.18 | 0.61 | HFG101M22025□VA |
| | 120 | 22×35 | 0.18 | 0.75 | HFG121M22035□VA |
| | 120 | 25×30 | 0.18 | 0.75 | HFG121M25030□VA |
| | 120 | 30×25 | 0.18 | 0.75 | HFG121M30025□VA |
| | 150 | 22×40 | 0.18 | 0.83 | HFG151M22040□VA |
| | 150 | 25×35 | 0.18 | 0.83 | HFG151M25035□VA |
| | 150 | 30×25 | 0.18 | 0.83 | HFG151M30025□VA |
| | 180 | 22×50 | 0.18 | 0.96 | HFG181M22050□VA |
| | 180 | 25×40 | 0.18 | 0.98 | HFG181M25040□VA |
| | 180 | 30×30 | 0.18 | 0.98 | HFG181M30030□VA |
| | 180 | 35×25 | 0.18 | 0.98 | HFG181M35025□VA |
| | 220 | 25×45 | 0.18 | 1.06 | HFG221M25045□VA |
| | 220 | 30×35 | 0.18 | 1.04 | HFG221M30035□VA |
| | 220 | 22×45 | 0.18 | 0.99 | HFG221M22045□VA |
| | 220 | 25×30 | 0.18 | 0.89 | HFG221M25030□VA |

| WV _{DC} (Surge Voltage) (V) | Cap (μF) | Size D×L (mm) | tanδ 20°C120Hz | Ripple Curr ent 105°C120Hz (Arms) | Catalog Part Number | |
|--|--------------|---------------------|-------------------|--|---------------------|-----------------|
| 400 (450) | 390 | 30×50 | 0.18 | 1.60 | HFG391M30050□VA | |
| | 390 | 35×40 | 0.18 | 1.60 | HFG391M35040□VA | |
| | 470 | 35×40 | 0.18 | 1.81 | HFG471M35040□VA | |
| | 470 | 35×45 | 0.18 | 1.90 | HFG471M35045□VA | |
| | 560 | 35×50 | 0.18 | 2.12 | HFG561M35050□VA | |
| | 560 | 35×40 | 0.18 | 1.93 | HFG561M35040□VA | |
| | 560 | 30×60 | 0.18 | 2.12 | HFG561M30060□VA | |
| | 680 | 35×60 | 0.18 | 2.30 | HFG681M35060□VA | |
| | 820 | 35×65 | 0.18 | 2.70 | HFG821M35065□VA | |
| | 1000 | 35×70 | 0.18 | 3.00 | HFG102M35070□VA | |
| | 1000 | 40×65 | 0.18 | 3.20 | HFG102M40065□VA | |
| | 1000 | 35×65 | 0.18 | 2.9 | HFG102M35065□VA | |
| | 1000 | 35×75 | 0.18 | 3.09 | HFG102M35075□VA | |
| | 1200 | 35×90 | 0.18 | 3.80 | HFG122M35090□VA | |
| | 1200 | 40×80 | 0.18 | 3.90 | HFG122M40080□VA | |
| | 1200 | 45×60 | 0.18 | 3.70 | HFG122M45060□VA | |
| | 1500 | 40×90 | 0.18 | 4.20 | HFG152M40090□VA | |
| | 1500 | 45×75 | 0.18 | 4.40 | HFG152M45075□VA | |
| | 1500 | 50×70 | 0.18 | 4.70 | HFG152M50070□VA | |
| | 1800 | 45×90 | 0.18 | 5.40 | HFG182M45090□VA | |
| | 1800 | 50×80 | 0.18 | 5.40 | HFG182M50080□VA | |
| | 2200 | 50×90 | 0.18 | 6.20 | HFG222M50090□VA | |
| | 2700 | 50×105 | 0.18 | 7.00 | HFG272M50105□VA | |
| | 450 (500) | 47 | 22×25 | 0.20 | 0.38 | HFE470M22025□VA |
| | | 56 | 22×25 | 0.20 | 0.47 | HFE560M22025□VA |
| | | 68 | 22×30 | 0.20 | 0.56 | HFE680M22030□VA |
| | | 68 | 25×25 | 0.20 | 0.56 | HFE680M25025□VA |
| 82 | | 22×35 | 0.20 | 0.64 | HFE820M22035□VA | |
| 82 | | 25×30 | 0.20 | 0.64 | HFE820M25030□VA | |
| 100 | | 22×30 | 0.20 | 0.62 | HFE101M22030□VA | |
| 100 | | 25×30 | 0.20 | 0.70 | HFE101M25030□VA | |
| 100 | | 30×25 | 0.20 | 0.78 | HFE101M30025□VA | |
| 120 | | 22×45 | 0.20 | 0.73 | HFE121M22045□VA | |
| 120 | | 25×35 | 0.20 | 0.73 | HFE121M25035□VA | |
| 120 | | 30×30 | 0.20 | 0.73 | HFE121M30030□VA | |
| 150 | | 22×50 | 0.20 | 0.78 | HFE151M22050□VA | |
| 150 | | 25×40 | 0.20 | 0.82 | HFE151M25040□VA | |
| 150 | | 30×30 | 0.20 | 0.83 | HFE151M30030□VA | |
| 150 | | 35×25 | 0.20 | 0.86 | HFE151M35025□VA | |
| 180 | | 25×45 | 0.20 | 0.88 | HFE181M25045□VA | |
| 180 | | 30×35 | 0.20 | 0.88 | HFE181M30035□VA | |
| 180 | | 35×30 | 0.20 | 0.88 | HFE181M35030□VA | |
| 220 | | 25×50 | 0.20 | 0.94 | HFE221M25050□VA | |
| 220 | | 30×30 | 0.20 | 0.84 | HFE221M30030□VA | |
| 220 | | 25×30 | 0.20 | 0.75 | HFE221M25030□VA | |
| 220 | | 30×40 | 0.20 | 0.96 | HFE221M30040□VA | |
| 220 | | 35×30 | 0.20 | 0.92 | HFE221M35030□VA | |
| 270 | | 30×45 | 0.20 | 1.20 | HFE271M30045□VA | |
| 270 | | 35×35 | 0.20 | 1.18 | HFE271M35035□VA | |
| 330 | | 30×50 | 0.20 | 1.40 | HFE331M30050□VA | |
| 330 | | 35×35 | 0.20 | 1.35 | HFE331M35035□VA | |
| 330 | | 35×40 | 0.20 | 1.39 | HFE331M35040□VA | |
| 390 | | 30×55 | 0.20 | 1.58 | HFE391M30055□VA | |
| 390 | 35×45 | 0.20 | 1.58 | HFE391M35045□VA | | |
| 470 | 35×50 | 0.20 | 1.83 | HFE471M35050□VA | | |
| 560 | 35×60 | 0.20 | 2.10 | HFE561M35060□VA | | |

| | | | | |
|-----|-------|------|------|------------------|
| 270 | 25×50 | 0.18 | 1.29 | HFG271M25050□□VA |
| 270 | 30×40 | 0.18 | 1.22 | HFG271M30040□□VA |
| 330 | 30×45 | 0.18 | 1.55 | HFG331M30045□□VA |
| 330 | 35×25 | 0.18 | 1.34 | HFG331M35025□□VA |
| 330 | 30×30 | 0.18 | 1.31 | HFG331M30030□□VA |

| | | | | |
|-----|-------|------|------|------------------|
| 560 | 35×45 | 0.20 | 1.86 | HFE561M35045□□VA |
| 680 | 35×65 | 0.20 | 2.40 | HFE681M35065□□VA |
| 680 | 40×60 | 0.20 | 2.50 | HFE681M40060□□VA |
| 680 | 35×50 | 0.20 | 2.14 | HFE681M35050□□VA |
| 680 | 35×60 | 0.20 | 2.32 | HFE681M35060□□VA |

*产品编码中□内为产品端子引出型式代码 *□Enter the appropriate terminal code

HF 系列 SERIES

◆产品一览表 Standard Ratings

| WV _{DC} (Surge Voltage) (V) | Cap (μF) | Size D×L (mm) | tanδ 20°C/120Hz | Ripple Curr ent 105°C/120Hz (A rms) | Catalog Part Number |
|--|-------------|---------------------|--------------------|--|---------------------|
| 420 | 100 | 22×25 | 0.18 | 0.61 | HFF101M22025□□VA |
| 450 (500) | 820 | 35×75 | 0.20 | 2.88 | HFE821M35075□□VA |
| | 820 | 40×65 | 0.20 | 2.90 | HFE821M40065□□VA |
| | 1000 | 35×90 | 0.20 | 3.46 | HFE102M35090□□VA |
| | 1000 | 40×80 | 0.20 | 3.54 | HFE102M40080□□VA |
| | 1200 | 40×95 | 0.20 | 4.40 | HFE122M40095□□VA |
| | 1200 | 45×75 | 0.20 | 4.10 | HFE122M45075□□VA |
| | 1200 | 50×65 | 0.20 | 4.10 | HFE122M50065□□VA |
| | 1500 | 40×100 | 0.20 | 4.80 | HFE152M40100□□VA |
| | 1500 | 45×90 | 0.20 | 4.90 | HFE152M45090□□VA |
| | 1500 | 50×80 | 0.20 | 5.00 | HFE152M50080□□VA |
| 1800 | 50×95 | 0.20 | 5.60 | HFE182M50095□□VA | |
| 2200 | 50×110 | 0.20 | 6.50 | HFE222M50110□□VA | |
| 500 (550) | 39 | 22×30 | 0.20 | 0.35 | HFC390M22030□□VA |
| | 47 | 22×35 | 0.20 | 0.42 | HFC470M22035□□VA |
| | 56 | 22×40 | 0.20 | 0.47 | HFC560M22040□□VA |
| | 68 | 22×45 | 0.20 | 0.54 | HFC680M22045□□VA |
| | 68 | 25×30 | 0.20 | 0.54 | HFC680M25030□□VA |
| | 82 | 22×50 | 0.20 | 0.62 | HFC820M22050□□VA |
| | 82 | 25×40 | 0.20 | 0.62 | HFC820M25040□□VA |
| | 100 | 25×45 | 0.20 | 0.67 | HFC101M25045□□VA |
| | 100 | 30×30 | 0.20 | 0.62 | HFC101M30030□□VA |
| | 120 | 25×50 | 0.20 | 0.77 | HFC121M25050□□VA |
| | 120 | 30×35 | 0.20 | 0.72 | HFC121M30035□□VA |
| | 120 | 35×30 | 0.20 | 0.72 | HFC121M35030□□VA |
| | 150 | 30×40 | 0.20 | 0.85 | HFC151M30040□□VA |
| | 150 | 35×35 | 0.20 | 0.85 | HFC151M35035□□VA |
| | 180 | 30×45 | 0.20 | 0.93 | HFC181M30045□□VA |
| | 180 | 35×40 | 0.20 | 0.93 | HFC181M35040□□VA |
| | 220 | 30×50 | 0.20 | 1.12 | HFC221M30050□□VA |
| | 220 | 35×45 | 0.20 | 1.12 | HFC221M35045□□VA |
| | 270 | 30×55 | 0.20 | 1.29 | HFC271M30055□□VA |
| | 270 | 35×50 | 0.20 | 1.29 | HFC271M35050□□VA |
| | 330 | 35×60 | 0.20 | 1.62 | HFC331M35060□□VA |
| | 470 | 35×60 | 0.20 | 2.00 | HFC471M35060□□VA |
| | 560 | 35×65 | 0.20 | 2.20 | HFC561M35065□□VA |
| | 560 | 40×55 | 0.20 | 2.20 | HFC561M40055□□VA |
| | 680 | 35×75 | 0.20 | 2.60 | HFC681M35075□□VA |
| | 680 | 40×70 | 0.20 | 2.70 | HFC681M40070□□VA |
| | 820 | 40×75 | 0.20 | 3.10 | HFC821M40075□□VA |
| | 820 | 45×60 | 0.20 | 3.00 | HFC821M45060□□VA |

*产品编码中□内为产品端子引出型式代码
*□Enter the appropriate terminal code

*记载之外的体积，请另行咨询。
* Please ask for advice for other sizes.

*铝电解电容器由于承受纹波电流而发热，随着温升而发生性能劣化。请在使用中降低产品承受的纹波电流。

*Aluminum electrolytic capacitor will emit heat when ripple current is applied, the performance will deteriorate when temp. rises. Please reduce the ripple current when using capacitor.

| WV _{DC} (Surge Voltage) (V) | Cap (μF) | Size D×L (mm) | tanδ 20°C/120Hz | Ripple Curr ent 105°C/120Hz (A rms) | Catalog Part Number | |
|--|--------------|---------------------|--------------------|--|---------------------|------------------|
| 500 (550) | 1000 | 40×90 | 0.20 | 3.70 | HFC102M40090□□VA | |
| | 1000 | 45×75 | 0.20 | 3.60 | HFC102M45075□□VA | |
| | 1200 | 40×100 | 0.20 | 4.20 | HFC122M40100□□VA | |
| | 1200 | 45×85 | 0.20 | 4.10 | HFC122M45085□□VA | |
| | 1200 | 50×80 | 0.20 | 4.30 | HFC122M50080□□VA | |
| | 1500 | 45×100 | 0.20 | 4.80 | HFC152M45100□□VA | |
| | 1500 | 50×90 | 0.20 | 4.90 | HFC152M50090□□VA | |
| | 1800 | 50×105 | 0.20 | 5.60 | HFC182M50105□□VA | |
| | 550 (600) | 180 | 30×50 | 0.20 | 1.00 | HFZ181M30050□□VA |
| | | 220 | 30×60 | 0.20 | 1.20 | HFZ221M30060□□VA |
| 270 | | 35×50 | 0.20 | 1.30 | HFZ271M35050□□VA | |
| 330 | | 35×60 | 0.20 | 1.50 | HFZ331M35060□□VA | |
| 390 | | 35×70 | 0.20 | 1.80 | HFZ391M35070□□VA | |
| 390 | | 40×60 | 0.20 | 1.80 | HFZ391M40060□□VA | |
| 470 | | 35×80 | 0.20 | 2.10 | HFZ471M35080□□VA | |
| 470 | | 40×70 | 0.20 | 2.10 | HFZ471M40070□□VA | |
| 560 | | 35×90 | 0.20 | 2.40 | HFZ561M35090□□VA | |
| 560 | | 40×80 | 0.20 | 2.40 | HFZ561M40080□□VA | |
| 680 | | 40×90 | 0.20 | 2.80 | HFZ681M40090□□VA | |
| 680 | | 45×70 | 0.20 | 2.70 | HFZ681M45070□□VA | |
| 820 | | 45×85 | 0.20 | 3.20 | HFZ821M45085□□VA | |
| 820 | | 50×70 | 0.20 | 3.10 | HFZ821M50070□□VA | |
| 1000 | | 45×100 | 0.20 | 3.80 | HFZ102M45100□□VA | |
| 1000 | | 50×80 | 0.20 | 3.60 | HFZ102M50080□□VA | |
| 1200 | 50×90 | 0.20 | 4.20 | HFZ122M50090□□VA | | |
| 600 (650) | 180 | 35×45 | 0.20 | 0.92 | HFB181M35045□□VA | |
| | 220 | 35×50 | 0.20 | 1.08 | HFB221M35050□□VA | |
| | 270 | 35×60 | 0.20 | 1.30 | HFB271M35060□□VA | |
| | 330 | 35×70 | 0.20 | 1.50 | HFB331M35070□□VA | |
| | 470 | 35×80 | 0.20 | 1.92 | HFB471M35080□□VA | |
| | 560 | 40×100 | 0.20 | 2.44 | HFB561M40100□□VA | |

X-ON Electronics

Largest Supplier of Electrical and Electronic Components

Click to view similar products for [Aluminium Electrolytic Capacitors - Radial Leaded](#) category:

Click to view products by [Zeasset](#) manufacturer:

Other Similar products are found below :

[NRELS102M35V16X16C.140LLF](#) [ESRG160ETC100MD07D](#) [227RZS050M](#) [335CKR250M](#) [476CKH100MSA](#) [477CKR100M](#)
[107CKR010M](#) [107CKH063MSA](#) [RJH-25V222MI9#](#) [RJH-35V221MG5#](#) [B43827A1106M8](#) [RJH-50V221MH6#](#) [EKYA500ELL470MF11D](#)
[B41022A5686M6](#) [ESRG250ELL101MH09D](#) [EKMA160EC3101MF07D](#) [RJB-10V471MG3#](#) [ESMG160ETD221MF11D](#)
[EKZH160ETD152MJ20S](#) [RJH-35V122MJ6#](#) [EGXF630ELL621ML20S](#) [RBD-25V100KE3#N](#) [EKMA350ELL100ME07D](#)
[ESMG160ETD101ME11D](#) [ELXY100ETD102MJ20S](#) [EGXF500ELL561ML15S](#) [EKMG350ETD471MJ16S](#) [35YXA330MEFC10X12.5](#)
[RXW471M1ESA-0815](#) [ELXZ630ELL221MJ25S](#) [ERR1HM1R0D11OT](#) [LPE681M30060FVA](#) [LPL471M22030FVA](#) [HFE221M25030FVA](#)
[LKMD1401H221MF](#) [B41888G6108M000](#) [EKMA160ETD470MF07D](#) [UHW1J102MHD6](#) [EKMG500ETD221MJC5S](#) [LKMK2502W101MF](#)
[LKMD1401H181MF](#) [LKMI2502G820MF](#) [LKMJ2001J122MF](#) [LKML2501C472MF](#) [LKMJ4002C681MF](#) [450MXH330MEFCSN25X45](#)
[450MXK330MA2RFC22X50](#) [63ZLH560MEFCG412.5X30](#) [ELH2DM331O25KT](#) [ELH2DM471P30KT](#)