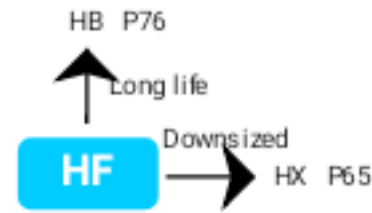


HF 系列 SERIES

Standard

RoHS

- 105度标准品
105°C Standard
- 保证105°C、2000小时寿命。(叠加纹波电流)
Endurance with ripple current: 2000 hours at 105°C
- 额定工作电压范围: 16V ~ 600V
Rated voltage range: 16V-600V



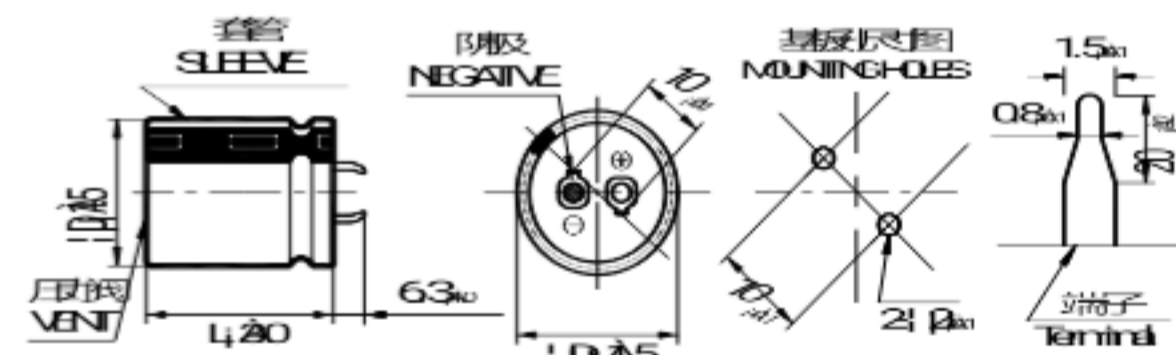
规格表 SPECIFICATIONS

项目 Items	特性 Characteristics																							
工作温度范围 Operating Temperature Range	- 40 ~ +105°C	- 25 ~ +105°C																						
额定工作电压范围 Rated Working Voltage Range	16 ~ 100V	160 ~ 600V																						
静电容量允许偏差 Capacitance Tolerance	±20% (20°C, 120Hz)																							
损耗角正切值 Dissipation Factor (MAX) 20°C, 120Hz	<table border="1"> <tr> <td>U_R(V)</td> <td>16</td> <td>25</td> <td>35</td> <td>50</td> <td>63</td> <td>80</td> <td>100</td> <td>160 ~ 315</td> <td>350 ~ 400</td> <td>450 ~ 600</td> </tr> <tr> <td>tanδ</td> <td>0.50</td> <td>0.45</td> <td>0.40</td> <td>0.35</td> <td>0.30</td> <td>0.25</td> <td>0.20</td> <td>0.15</td> <td>0.18</td> <td>0.20</td> </tr> </table>	U _R (V)	16	25	35	50	63	80	100	160 ~ 315	350 ~ 400	450 ~ 600	tanδ	0.50	0.45	0.40	0.35	0.30	0.25	0.20	0.15	0.18	0.20	
U _R (V)	16	25	35	50	63	80	100	160 ~ 315	350 ~ 400	450 ~ 600														
tanδ	0.50	0.45	0.40	0.35	0.30	0.25	0.20	0.15	0.18	0.20														
阻抗比 Impedance Ratio (MAX) 120Hz	<table border="1"> <tr> <td>U_R(V)</td> <td>16 ~ 100</td> <td>160 ~ 200</td> <td>250</td> <td>315</td> <td>350 ~ 400</td> <td>450 ~ 600</td> </tr> <tr> <td>Z_{-25°C}/Z_{+20°C}</td> <td>4</td> <td>3</td> <td>4</td> <td>7</td> <td>7</td> <td>8</td> </tr> <tr> <td>Z_{-40°C}/Z_{+20°C}</td> <td>18</td> <td></td> <td></td> <td></td> <td></td> <td></td> </tr> </table>	U _R (V)	16 ~ 100	160 ~ 200	250	315	350 ~ 400	450 ~ 600	Z _{-25°C} /Z _{+20°C}	4	3	4	7	7	8	Z _{-40°C} /Z _{+20°C}	18							
U _R (V)	16 ~ 100	160 ~ 200	250	315	350 ~ 400	450 ~ 600																		
Z _{-25°C} /Z _{+20°C}	4	3	4	7	7	8																		
Z _{-40°C} /Z _{+20°C}	18																							
漏电流 Leakage Current (MAX)	I = 0.01C _R U _R 或1.5mA取小者 (20°C, 施加额定电压5分钟后) I = 0.01C _R U _R or 1.5mA whichever is minimum. (at 20°C, After 5 minutes application of rated voltage) I = 漏电流 (μA) U _R = 额定电压 (V) C _R = 静电容量 (μF) Leakage Current Rated Voltage Rated Capacitance																							

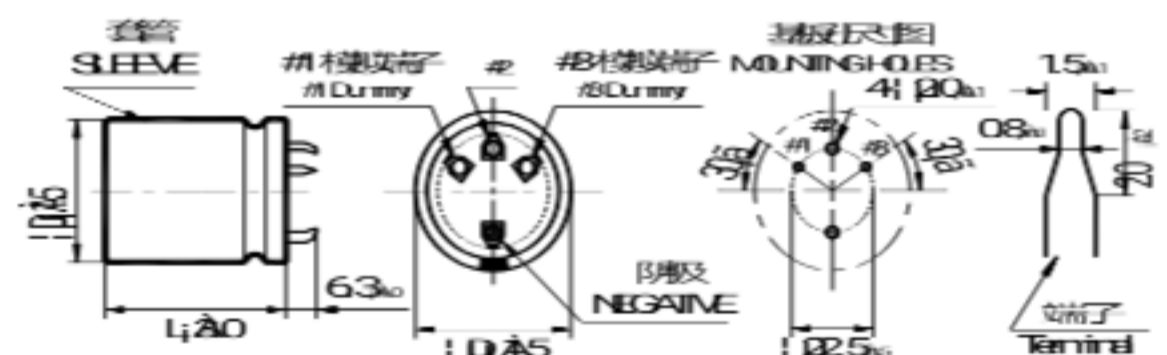
	使用寿命 Useful Life	负荷寿命 Load Life	耐久性特性 Endurance Test	高温无负荷特性 Shelf Life
产品寿命 Life Time	4000h	>180000h	2000h	1000h
漏电流 Leakage Current	≤规定值 ≤Specified value	≤规定值 ≤Specified value	≤规定值 ≤Specified value	≤规定值 ≤Specified value
损耗角正切值变化率 tanδ Change	≤规定值的300% ≤300% of specified value	≤规定值的200% ≤200% of specified value	≤规定值的200% ≤200% of specified value	≤规定值的200% ≤200% of specified value
静电容量变化率 Capacitance Change	初始值±30%以内 Within±30% of initial value	初始值±20%以内 Within±20% of initial value	初始值±20%以内 Within±20% of initial value	初始值±20%以内 Within±20% of initial value
施加条件 Condition 施加电压 Applied Voltage 施加纹波电流 Applied Ripple Current 环境温度 Applied Temperature 失效率等级 Failure Rate Level	U _R I _R 105°C ≤1% Failure rate	U _R 1.4×I _R 40°C ≤1% Failure rate	U _R I _R 105°C 0%	U _R =0 I _R =0 105°C 0% Back up to 20 °C and placed more than 24 hours. U _R to be applied for 60 min before measurement.

尺寸图 Dimensions

- 常用端子型式代码: Terminal Code



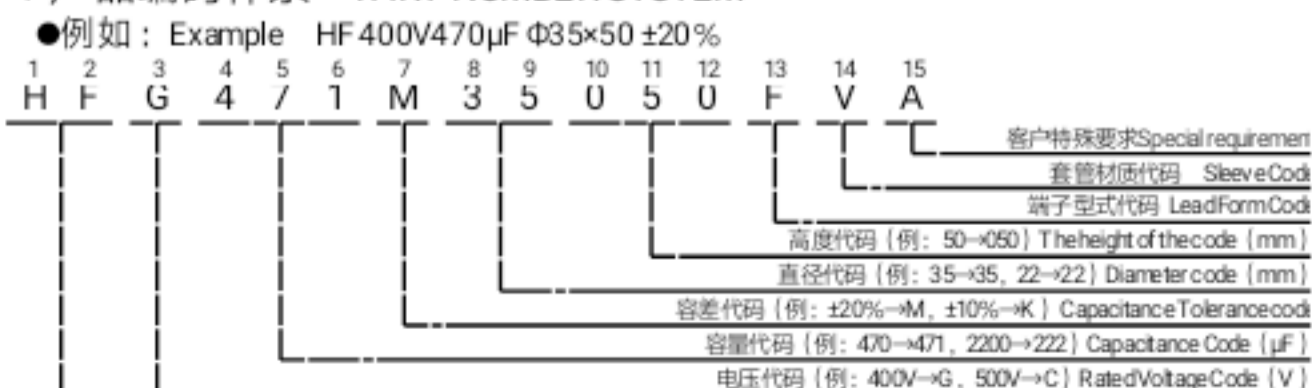
F-Type: Lock Terminal
J-Type: With short pin (4±1) Lock Terminal
Unit:mm



Φ35 O-Type
P-Type: With short pin (4±1) Lock Terminal
Unit:mm

- 记载以外的端子形状, 请另行咨询。Please consult to us for the terminal type not displayed in content.

产品编码体系 PART NUMBER SYSTEM



纹波电流修正系数 Rated Ripple Current Multiplies

● 频率修正系数 Frequency Coefficient

电压范围 (v) Rated voltage	频率 (Hz) Frequency	50 (60)	100 (120)	300	1k	≥10k
16 ~ 50WV		0.90	1.00	1.10	1.15	1.15
63 ~ 100WV		0.85	1.00	1.17	1.32	1.45
160 ~ 600WV		0.80	1.00	1.16	1.30	1.41

● 温度修正系数 Temperature coefficient

电压范围 (v) Rated voltage	温度 (°C) Temperature	+40	+55	+70	+85	+105
16 ~ 600WV		2.7	2.5	2.1	1.7	1.0

HF 系列 SERIES

◆ 产品一览表 Standard Ratings

WV _{DC} (Surge Voltage) (V)	Cap (μ F)	Size D×L (mm)	tan δ 20°C/120Hz	Ripple Curr ent 105°C/120Hz (A rms)	Catalog Part Number
16 (20)	6800	22×25	0.50	1.61	HFV682M22025□□VA
	8200	22×25	0.50	1.76	HFV822M22025□□VA
	10000	22×35	0.50	2.14	HFV103M22035□□VA
	10000	22×30	0.50	2.00	HFV103M22030□□VA
	10000	25×25	0.50	2.00	HFV103M25025□□VA
	12000	22×35	0.50	2.28	HFV123M22035□□VA
	12000	25×30	0.50	2.30	HFV123M25030□□VA
	12000	30×25	0.50	2.38	HFV123M30025□□VA
	15000	22×40	0.50	2.64	HFV153M22040□□VA
	15000	25×30	0.50	2.51	HFV153M25030□□VA
	15000	30×25	0.50	2.66	HFV153M30025□□VA
	18000	22×45	0.50	2.98	HFV183M22045□□VA
	18000	25×35	0.50	3.00	HFV183M25035□□VA
	18000	30×30	0.50	3.00	HFV183M30030□□VA
	18000	35×25	0.50	3.10	HFV183M35025□□VA
	22000	25×40	0.50	3.23	HFV223M25040□□VA
	22000	30×35	0.50	3.39	HFV223M30035□□VA
	22000	35×25	0.50	3.43	HFV223M35025□□VA
	27000	25×50	0.50	3.81	HFV273M25050□□VA
	27000	30×35	0.50	4.08	HFV273M30035□□VA
	27000	35×30	0.50	3.74	HFV273M35030□□VA
	33000	30×45	0.50	4.30	HFV333M30045□□VA
	33000	35×35	0.50	4.24	HFV333M35035□□VA
	39000	30×50	0.50	4.74	HFV393M30050□□VA
	39000	35×35	0.50	4.70	HFV393M35035□□VA
	47000	30×55	0.50	5.30	HFV473M30055□□VA
	47000	35×40	0.50	5.27	HFV473M35040□□VA
	56000	30×60	0.50	5.90	HFV563M30060□□VA
	56000	35×45	0.50	5.80	HFV563M35045□□VA
	68000	35×55	0.50	6.20	HFV683M35055□□VA
82000	35×60	0.50	6.30	HFV823M35060□□VA	
50 (63)	4700	22×25	0.45	1.55	HFU472M22025□□VA
	5600	22×30	0.45	1.75	HFU562M22030□□VA
	6800	22×30	0.45	1.91	HFU682M22030□□VA
	6800	25×25	0.45	1.90	HFU682M25025□□VA
	8200	22×35	0.45	2.14	HFU822M22035□□VA
	8200	25×30	0.45	2.16	HFU822M25030□□VA
	8200	30×25	0.45	2.25	HFU822M30025□□VA
	10000	22×40	0.45	2.40	HFU103M22040□□VA
	10000	25×35	0.45	2.44	HFU103M25035□□VA
	10000	30×25	0.45	2.41	HFU103M30025□□VA
	12000	22×45	0.45	2.69	HFU123M22045□□VA
	12000	25×40	0.45	2.74	HFU123M25040□□VA
	12000	30×30	0.45	2.70	HFU123M30030□□VA
	12000	35×25	0.45	2.80	HFU123M35025□□VA
	15000	25×45	0.45	3.15	HFU153M25045□□VA
	15000	30×35	0.45	3.13	HFU153M30035□□VA
	15000	35×25	0.45	3.20	HFU153M35025□□VA
	18000	25×50	0.45	3.54	HFU183M25050□□VA
	18000	30×40	0.45	3.58	HFU183M30040□□VA
	18000	35×30	0.45	3.55	HFU183M35030□□VA
	22000	30×45	0.45	4.24	HFU223M30045□□VA
	22000	35×35	0.45	4.00	HFU223M35035□□VA
	27000	30×50	0.45	4.75	HFU273M30050□□VA
	27000	35×40	0.45	4.70	HFU273M35040□□VA
	33000	30×60	0.45	5.39	HFU333M30060□□VA
	33000	35×45	0.45	5.35	HFU333M35045□□VA
	39000	35×50	0.45	5.70	HFU393M35050□□VA
	47000	35×60	0.45	6.20	HFU473M35060□□VA

WV _{DC} (Surge Voltage) (V)	Cap (μ F)	Size D×L (mm)	tan δ 20°C/120Hz	Ripple Curr ent 105°C/120Hz (A rms)	Catalog Part Number	
35 (44)	2700	22×25	0.40	1.20	HFT272M22025□□VA	
	3300	22×30	0.40	1.52	HFT332M22030□□VA	
	3300	25×25	0.40	1.50	HFT332M25025□□VA	
	3900	22×30	0.40	1.65	HFT392M22030□□VA	
	3900	25×25	0.40	1.61	HFT392M25025□□VA	
	4700	22×35	0.40	1.95	HFT472M22035□□VA	
	4700	25×30	0.40	1.92	HFT472M25030□□VA	
	4700	30×25	0.40	1.90	HFT472M30025□□VA	
	5600	22×40	0.40	2.14	HFT562M22040□□VA	
	5600	25×30	0.40	2.05	HFT562M25030□□VA	
	5600	30×25	0.40	2.13	HFT562M30025□□VA	
	6800	22×45	0.40	2.30	HFT682M22045□□VA	
	6800	25×35	0.40	2.32	HFT682M25035□□VA	
	6800	30×30	0.40	2.35	HFT682M30030□□VA	
	6800	35×25	0.40	2.33	HFT682M35025□□VA	
	8200	22×50	0.40	2.68	HFT822M22050□□VA	
	8200	25×40	0.40	2.62	HFT822M25040□□VA	
	8200	30×30	0.40	2.60	HFT822M30030□□VA	
	8200	35×25	0.40	2.79	HFT822M35025□□VA	
	10000	25×45	0.40	2.92	HFT103M25045□□VA	
	10000	30×35	0.40	2.95	HFT103M30035□□VA	
	10000	35×30	0.40	2.98	HFT103M35030□□VA	
	12000	25×50	0.40	3.26	HFT123M25050□□VA	
	12000	30×40	0.40	3.28	HFT123M30040□□VA	
	12000	35×30	0.40	3.22	HFT123M35030□□VA	
	15000	30×45	0.40	3.74	HFT153M30045□□VA	
	15000	35×35	0.40	3.70	HFT153M35035□□VA	
	18000	30×50	0.40	4.20	HFT183M30050□□VA	
	18000	35×40	0.40	4.16	HFT183M35040□□VA	
	22000	35×50	0.40	4.92	HFT223M35050□□VA	
	27000	35×55	0.40	5.50	HFT273M35055□□VA	
	50 (63)	1500	22×25	0.35	1.22	HFR152M22025□□VA
		1800	22×25	0.35	1.32	HFR182M22025□□VA
		2200	22×30	0.35	1.45	HFR222M22030□□VA
		2200	25×25	0.35	1.47	HFR222M25025□□VA
		2700	22×30	0.35	1.70	HFR272M22030□□VA
		2700	25×25	0.35	1.72	HFR272M25025□□VA
		3300	22×35	0.35	1.99	HFR332M22035□□VA
		3300	25×30	0.35	2.01	HFR332M25030□□VA
		3300	30×25	0.35	2.03	HFR332M30025□□VA
		3900	22×40	0.35	2.25	HFR392M22040□□VA
		3900	25×35	0.35	2.28	HFR392M25035□□VA
		3900	30×25	0.35	2.22	HFR392M30025□□VA
		4700	22×45	0.35	2.56	HFR472M22045□□VA
4700		25×40	0.35	2.60	HFR472M25040□□VA	
4700		30×30	0.35	2.58	HFR472M30030□□VA	
4700		35×25	0.35	2.67	HFR472M35025□□VA	
5600		22×50	0.35	2.90	HFR562M22050□□VA	
5600		25×40	0.35	2.82	HFR562M25040□□VA	
5600		30×35	0.35	2.95	HFR562M30035□□VA	
5600		35×25	0.35	3.00	HFR562M35025□□VA	
6800		25×50	0.35	3.38	HFR682M25050□□VA	
6800		30×40	0.35	3.40	HFR682M30040□□VA	
6800		35×30	0.35	3.32	HFR682M35030□□VA	
8200		30×45	0.35	3.72	HFR822M30045□□VA	
8200		35×35	0.35	3.67	HFR822M35035□□VA	
10000		30×50	0.35	4.10	HFR103M30050□□VA	
10000		35×40	0.35	4.08	HFR103M35040□□VA	

*产品编码中□内为产品端子引出型式代码
*□Enter the appropriate terminal code

HF 系列 SERIES

◆ 产品一览表 Standard Ratings

WV _{DC} (Surge Voltage) (V)	Cap (μ F)	Size DxL (mm)	tan δ 20°C120Hz	Ripple Curr ent 105°C120Hz (Arms)	Catalog Part Number	WV _{DC} (Surge Voltage) (V)	Cap (μ F)	Size DxL (mm)	tan δ 20°C120Hz	Ripple Curr ent 105°C120Hz (Arms)	Catalog Part Number
50 (63)	12000	30x55	0.35	4.52	HFR123M30055□VA	80 (100)	5600	30x55	0.25	3.80	HFP562M30055□VA
	12000	35x45	0.35	4.50	HFR123M35045□VA		5600	35x40	0.25	3.80	HFP562M35040□VA
	15000	35x50	0.35	4.80	HFR153M35050□VA		6800	30x60	0.25	3.90	HFP682M30060□VA
	18000	35x60	0.35	5.10	HFR183M35060□VA		6800	35x45	0.25	3.90	HFP682M35045□VA
63 (79)	1000	22x25	0.30	1.15	HFQ102M22025□VA	8200	35x55	0.25	4.20	HFP822M35055□VA	
	1200	22x25	0.30	1.26	HFQ122M22025□VA	10000	35x60	0.25	4.48	HFP103M35060□VA	
	1500	22x30	0.30	1.45	HFQ152M22030□VA	470	22x25	0.20	0.92	HFO471M22025□VA	
	1500	25x25	0.30	1.47	HFQ152M25025□VA	560	22x25	0.20	1.07	HFO561M22025□VA	
	1800	22x30	0.30	1.53	HFQ182M22030□VA	680	22x30	0.20	1.15	HFO681M22030□VA	
	1800	25x25	0.30	1.53	HFQ182M25025□VA	680	25x25	0.20	1.15	HFO681M25025□VA	
	2200	22x35	0.30	1.73	HFQ222M22035□VA	820	22x30	0.20	1.35	HFO821M22030□VA	
	2200	25x30	0.30	1.75	HFQ222M25030□VA	820	25x25	0.20	1.35	HFO821M25025□VA	
	2200	30x25	0.30	1.78	HFQ222M30025□VA	1000	22x35	0.20	1.54	HFO102M22035□VA	
	2700	22x40	0.30	1.98	HFQ272M22040□VA	1000	25x30	0.20	1.56	HFO102M25030□VA	
	2700	25x35	0.30	2.00	HFQ272M25035□VA	1000	30x25	0.20	1.52	HFO102M30025□VA	
	2700	30x25	0.30	1.95	HFQ272M30025□VA	1200	22x40	0.20	1.74	HFO122M22040□VA	
	3300	22x45	0.30	2.30	HFQ332M22045□VA	1200	25x35	0.20	1.76	HFO122M25035□VA	
	3300	25x40	0.30	2.28	HFQ332M25040□VA	1200	30x25	0.20	1.71	HFO122M30025□VA	
	3300	30x30	0.30	2.25	HFQ332M30030□VA	1500	22x50	0.20	1.99	HFO152M22050□VA	
	3300	35x25	0.30	2.42	HFQ332M35025□VA	1500	25x40	0.20	2.03	HFO152M25040□VA	
	3900	25x45	0.30	2.55	HFQ392M25045□VA	1500	30x30	0.20	2.00	HFO152M30030□VA	
	3900	30x35	0.30	2.56	HFQ392M30035□VA	1500	35x25	0.20	2.08	HFO152M35025□VA	
	3900	35x25	0.30	2.60	HFQ392M35025□VA	1800	25x45	0.20	2.28	HFO182M25045□VA	
	4700	25x50	0.30	2.89	HFQ472M25050□VA	1800	30x35	0.20	2.27	HFO182M30035□VA	
	4700	30x35	0.30	2.86	HFQ472M30035□VA	1800	35x25	0.20	2.20	HFO182M35025□VA	
	4700	35x30	0.30	2.84	HFQ472M35030□VA	2200	25x50	0.20	2.57	HFO222M25050□VA	
	5600	30x40	0.30	3.26	HFQ562M30040□VA	2200	30x40	0.20	2.59	HFO222M30040□VA	
	5600	35x35	0.30	3.24	HFQ562M35035□VA	2200	35x30	0.20	2.52	HFO222M35030□VA	
	6800	30x50	0.30	3.74	HFQ682M30050□VA	2200	25x40	0.20	2.33	HFO222M25040□VA	
	6800	35x35	0.30	3.70	HFQ682M35035□VA	2700	30x45	0.20	2.94	HFO272M30045□VA	
	8200	30x55	0.30	4.10	HFQ822M30055□VA	2700	35x35	0.20	2.90	HFO272M35035□VA	
	8200	35x40	0.30	4.00	HFQ822M35040□VA	3300	30x50	0.20	3.32	HFO332M30050□VA	
10000	35x50	0.30	4.70	HFQ103M35050□VA	3300	35x40	0.20	3.31	HFO332M35040□VA		
12000	35x55	0.30	4.90	HFQ123M35055□VA	3900	30x60	0.20	3.60	HFO392M30060□VA		
80 (100)	820	22x25	0.25	1.12	HFP821M22025□VA	3900	35x45	0.20	3.69	HFO392M35045□VA	
	1000	22x25	0.25	1.25	HFP102M22025□VA	4700	35x50	0.20	4.14	HFO472M35050□VA	
	1200	22x30	0.25	1.40	HFP122M22030□VA	5600	35x60	0.20	4.70	HFO562M35060□VA	
	1200	25x25	0.25	1.40	HFP122M25025□VA	6800	35x65	0.20	5.40	HFO682M35065□VA	
	1500	22x35	0.25	1.61	HFP152M22035□VA	180	22x25	0.15	0.70	HFN181M22025□VA	
	1500	25x30	0.25	1.62	HFP152M25030□VA	220	22x25	0.15	0.78	HFN221M22025□VA	
	1800	22x40	0.25	1.83	HFP182M22040□VA	270	22x30	0.15	1.10	HFN271M22030□VA	
	1800	25x30	0.25	1.82	HFP182M25030□VA	330	22x30	0.15	1.20	HFN331M22030□VA	
	1800	30x25	0.25	1.81	HFP182M30025□VA	330	25x25	0.15	1.22	HFN331M25025□VA	
	2200	22x45	0.25	2.09	HFP222M22045□VA	390	22x35	0.15	1.30	HFN391M22035□VA	
	2200	25x35	0.25	2.01	HFP222M25035□VA	390	25x30	0.15	1.32	HFN391M25030□VA	
	2200	30x30	0.25	2.10	HFP222M30030□VA	390	30x25	0.15	1.31	HFN391M30025□VA	
	2200	35x25	0.25	2.17	HFP222M35025□VA	470	22x40	0.15	1.55	HFN471M22040□VA	
	2700	22x50	0.25	2.43	HFP272M22050□VA	470	25x35	0.15	1.58	HFN471M25035□VA	
	2700	25x40	0.25	2.43	HFP272M25040□VA	470	30x25	0.15	1.56	HFN471M30025□VA	
	2700	30x30	0.25	2.43	HFP272M30030□VA	560	22x45	0.15	1.67	HFN561M22045□VA	
	2700	35x25	0.25	2.43	HFP272M35025□VA	560	25x35	0.15	1.69	HFN561M25035□VA	
	3300	25x50	0.25	2.76	HFP332M25050□VA	560	30x30	0.15	1.68	HFN561M30030□VA	
	3300	30x35	0.25	2.72	HFP332M30035□VA	680	22x50	0.15	1.82	HFN681M22050□VA	
	3300	35x30	0.25	2.71	HFP332M35030□VA	680	25x40	0.15	1.85	HFN681M25040□VA	
	3900	30x40	0.25	3.00	HFP392M30040□VA	680	30x30	0.15	1.84	HFN681M30030□VA	
	3900	35x30	0.25	2.97	HFP392M35030□VA	680	35x25	0.15	1.83	HFN681M35025□VA	
	4700	30x45	0.25	3.34	HFP472M30045□VA	820	25x45	0.15	2.04	HFN821M25045□VA	
	4700	35x40	0.25	3.38	HFP472M35040□VA	820	30x35	0.15	2.06	HFN821M30035□VA	

4700	25×50	0.25	3.16	HFP472M25050□□VA
------	-------	------	------	------------------

820	35×30	0.15	2.05	HFN821M35030□□VA
-----	-------	------	------	------------------

*产品编码中□内为产品端子引出型式代码
*□Enter the appropriate terminal code

HF 系列 SERIES

◆产品一览表 Standard Ratings

W _{VDC} (Surge Voltage) (V)	Cap (μF)	Size D×L (mm)	tanδ 20°C/120Hz	Ripple Current 105°C/120Hz (Arms)	Catalog Part Number	
160 (200)	1000	25×50	0.15	2.40	HFN102M25050□□VA	
	1000	30×40	0.15	2.25	HFN102M30040□□VA	
	1000	35×30	0.15	2.28	HFN102M35030□□VA	
	1200	30×45	0.15	3.49	HFN122M30045□□VA	
	1200	35×35	0.15	3.49	HFN122M35035□□VA	
	1500	30×50	0.15	2.84	HFN152M30050□□VA	
	1500	35×40	0.15	2.86	HFN152M35040□□VA	
	1800	30×60	0.15	3.32	HFN182M30060□□VA	
	1800	35×45	0.15	3.32	HFN182M35045□□VA	
	2200	35×55	0.15	3.60	HFN222M35055□□VA	
	2700	35×60	0.15	4.16	HFN272M35060□□VA	
200 (250)	150	22×25	0.15	0.70	HFL151M22025□□VA	
	180	22×25	0.15	0.80	HFL181M22025□□VA	
	220	22×25	0.15	1.00	HFL221M22025□□VA	
	270	22×30	0.15	1.10	HFL271M22030□□VA	
	270	25×25	0.15	1.10	HFL271M25025□□VA	
	330	22×35	0.15	1.25	HFL331M22035□□VA	
	330	25×25	0.15	1.25	HFL331M25025□□VA	
	390	22×35	0.15	1.35	HFL391M22035□□VA	
	390	25×30	0.15	1.35	HFL391M25030□□VA	
	390	30×25	0.15	1.35	HFL391M30025□□VA	
	470	22×35	0.15	1.40	HFL471M22035□□VA	
	470	25×35	0.15	1.47	HFL471M25035□□VA	
	470	30×25	0.15	1.56	HFL471M30025□□VA	
	560	22×45	0.15	1.58	HFL561M22045□□VA	
	560	25×35	0.15	1.65	HFL561M25035□□VA	
	560	30×30	0.15	1.62	HFL561M30030□□VA	
	560	35×25	0.15	1.60	HFL561M35025□□VA	
	680	25×45	0.15	1.80	HFL681M25045□□VA	
	680	30×35	0.15	1.82	HFL681M30035□□VA	
	680	35×25	0.15	1.96	HFL681M35025□□VA	
	820	25×50	0.15	1.87	HFL821M25050□□VA	
	820	30×40	0.15	1.99	HFL821M30040□□VA	
	820	35×30	0.15	2.07	HFL821M35030□□VA	
	1000	30×45	0.15	2.17	HFL102M30045□□VA	
	1000	35×35	0.15	2.22	HFL102M35035□□VA	
	1200	30×50	0.15	2.23	HFL122M30050□□VA	
	1200	35×40	0.15	2.42	HFL122M35040□□VA	
1500	30×60	0.15	2.60	HFL152M30060□□VA		
1500	35×45	0.15	2.59	HFL152M35045□□VA		
1800	35×50	0.15	2.70	HFL182M35050□□VA		
2200	35×60	0.15	3.20	HFL222M35060□□VA		
250 (300)	100	22×25	0.15	0.50	HFJ101M22025□□VA	
	120	22×25	0.15	0.58	HFJ121M22025□□VA	
	150	22×30	0.15	0.79	HFJ151M22030□□VA	
	150	25×25	0.15	0.79	HFJ151M25025□□VA	
	180	22×30	0.15	0.94	HFJ181M22030□□VA	
	180	25×25	0.15	0.90	HFJ181M25025□□VA	
	220	22×35	0.15	1.10	HFJ221M22035□□VA	
	220	25×30	0.15	1.15	HFJ221M25030□□VA	
	270	22×40	0.15	1.18	HFJ271M22040□□VA	
	270	25×35	0.15	1.27	HFJ271M25035□□VA	
	270	30×25	0.15	1.27	HFJ271M30025□□VA	
	330	22×45	0.15	1.30	HFJ331M22045□□VA	
	330	25×35	0.15	1.30	HFJ331M25035□□VA	
	330	30×30	0.15	1.35	HFJ331M30030□□VA	
	250 (300)	390	25×40	0.15	1.50	HFJ391M25040□□VA
		390	30×30	0.15	1.45	HFJ391M30030□□VA
		390	35×25	0.15	1.45	HFJ391M35025□□VA
470		22×50	0.15	1.37	HFJ471M22050□□VA	
470		25×40	0.15	1.52	HFJ471M25040□□VA	
470		30×30	0.15	1.36	HFJ471M30030□□VA	
470		35×25	0.15	1.40	HFJ471M35025□□VA	
560		25×45	0.15	1.60	HFJ561M25045□□VA	
560		30×35	0.15	1.57	HFJ561M30035□□VA	
560		35×30	0.15	1.56	HFJ561M35030□□VA	
680		25×50	0.15	1.66	HFJ681M25050□□VA	
680		30×40	0.15	1.76	HFJ681M30040□□VA	
680		35×35	0.15	1.75	HFJ681M35035□□VA	
820		30×50	0.15	1.91	HFJ821M30050□□VA	
820		35×40	0.15	1.90	HFJ821M35040□□VA	
1000		30×50	0.15	1.99	HFJ102M30050□□VA	
1000		35×40	0.15	1.99	HFJ102M35040□□VA	
1200		35×50	0.15	2.19	HFJ122M35050□□VA	
1500		35×60	0.15	2.65	HFJ152M35060□□VA	
315 (365)		82	22×25	0.15	0.64	HH820M22025□□VA
		100	22×25	0.15	0.69	HH101M22025□□VA
		120	22×30	0.15	0.75	HH121M22030□□VA
		120	25×25	0.15	0.74	HH121M25025□□VA
		150	22×35	0.15	0.82	HH151M22035□□VA
		150	25×30	0.15	0.82	HH151M25030□□VA
		180	22×40	0.15	0.86	HH181M22040□□VA
		180	25×35	0.15	0.86	HH181M25035□□VA
		180	30×25	0.15	0.85	HH181M30025□□VA
		220	22×45	0.15	0.98	HH221M22045□□VA
		220	25×40	0.15	1.04	HH221M25040□□VA
		220	30×30	0.15	1.03	HH221M30030□□VA
	270	22×50	0.15	1.10	HH271M22050□□VA	
	270	25×45	0.15	1.16	HH271M25045□□VA	
	270	30×35	0.15	1.16	HH271M30035□□VA	
	270	35×25	0.15	1.15	HH271M35025□□VA	
	330	25×50	0.15	1.33	HH331M25050□□VA	
	330	30×40	0.15	1.32	HH331M30040□□VA	
	330	35×30	0.15	1.31	HH331M35030□□VA	
	390	30×45	0.15	1.40	HH391M30045□□VA	
	390	35×35	0.15	1.47	HH391M35035□□VA	
470	30×50	0.15	1.70	HH471M30050□□VA		
470	35×40	0.15	1.70	HH471M35040□□VA		
560	30×55	0.15	1.95	HH561M30055□□VA		
560	35×45	0.15	2.05	HH561M35045□□VA		
680	30×60	0.15	2.17	HH681M30060□□VA		
680	35×50	0.15	2.17	HH681M35050□□VA		
820	35×55	0.15	2.20	HH821M35055□□VA		
1000	35×60	0.15	2.48	HH102M35060□□VA		
350 (400)	68	22×25	0.18	0.56	HH680M22025□□VA	
	82	22×25	0.18	0.63	HH820M22025□□VA	
	100	22×30	0.18	0.70	HH101M22030□□VA	
	100	25×25	0.18	0.70	HH101M25025□□VA	
	120	22×35	0.18	0.73	HH121M22035□□VA	
	120	25×25	0.18	0.72	HH121M25025□□VA	
	150	22×40	0.18	0.79	HH151M22040□□VA	
	150	25×30	0.18	0.82	HH151M25030□□VA	

330	35×25	0.15	1.30	HFJ331M35025□VA
390	22×50	0.15	1.45	HFJ391M22050□VA

150	30×25	0.18	0.82	HFH151M30025□VA
180	22×45	0.18	0.89	HFH181M22045□VA

*产品编码中□内为产品端子引出型式代码
*□Enter the appropriate terminal code

HF 系列 SERIES

◆产品一览表 Standard Ratings

WV _{DC} (Surge Voltage) (V)	Cap (μF)	Size D×L (mm)	tanδ 20°C120Hz	Ripple Curr ent 105°C120Hz (Arms)	Catalog Part Number
350 (400)	180	25×35	0.18	0.89	HFH181M25035□VA
	180	30×25	0.18	0.85	HFH181M30025□VA
	220	22×50	0.18	0.93	HFH221M22050□VA
	220	25×40	0.18	0.97	HFH221M25040□VA
	220	30×30	0.18	0.96	HFH221M30030□VA
	220	35×25	0.18	0.98	HFH221M35025□VA
	270	25×50	0.18	1.16	HFH271M25050□VA
	270	30×35	0.18	1.14	HFH271M30035□VA
	270	35×30	0.18	1.14	HFH271M35030□VA
	330	25×45	0.18	1.22	HFH331M25045□VA
	330	30×45	0.18	1.34	HFH331M30045□VA
	330	35×35	0.18	1.34	HFH331M35035□VA
	390	30×50	0.18	1.54	HFH391M30050□VA
	390	35×40	0.18	1.54	HFH391M35040□VA
	470	30×50	0.18	1.68	HFH471M30050□VA
	470	35×45	0.18	1.76	HFH471M35045□VA
	560	30×60	0.18	1.98	HFH561M30060□VA
	560	35×50	0.18	1.95	HFH561M35050□VA
	680	35×55	0.18	2.20	HFH681M35055□VA
	820	35×60	0.18	2.56	HFH821M35060□VA
	1000	35×60	0.18	2.85	HFH102M35060□VA
	1000	35×65	0.18	2.90	HFH102M35065□VA
	1000	40×55	0.18	2.90	HFH102M40055□VA
	1200	35×75	0.18	3.60	HFH122M35075□VA
	1200	40×65	0.18	3.66	HFH122M40065□VA
	1500	40×80	0.18	4.36	HFH152M40080□VA
	1500	45×65	0.18	4.22	HFH152M45065□VA
	1800	40×95	0.18	5.12	HFH182M40095□VA
	1800	45×75	0.18	4.92	HFH182M45075□VA
	2200	45×90	0.18	5.80	HFH222M45090□VA
	2200	50×75	0.18	5.60	HFH222M50075□VA
	2700	45×100	0.18	6.53	HFH272M45100□VA
	2700	50×90	0.18	6.61	HFH272M50090□VA
3300	50×105	0.18	7.70	HFH332M50105□VA	
400 (450)	47	22×25	0.18	0.40	HFG470M22025□VA
	56	22×25	0.18	0.51	HFG560M22025□VA
	68	22×25	0.18	0.55	HFG680M22025□VA
	82	22×30	0.18	0.64	HFG820M22030□VA
	82	25×25	0.18	0.64	HFG820M25025□VA
	100	22×30	0.18	0.70	HFG101M22030□VA
	100	22×20	0.18	0.59	HFG101M22020□VA
	100	22×25	0.18	0.61	HFG101M22025□VA
	120	22×35	0.18	0.75	HFG121M22035□VA
	120	25×30	0.18	0.75	HFG121M25030□VA
	120	30×25	0.18	0.75	HFG121M30025□VA
	150	22×40	0.18	0.83	HFG151M22040□VA
	150	25×35	0.18	0.83	HFG151M25035□VA
	150	30×25	0.18	0.83	HFG151M30025□VA
	180	22×50	0.18	0.96	HFG181M22050□VA
	180	25×40	0.18	0.98	HFG181M25040□VA
	180	30×30	0.18	0.98	HFG181M30030□VA
	180	35×25	0.18	0.98	HFG181M35025□VA
	220	25×45	0.18	1.06	HFG221M25045□VA
	220	30×35	0.18	1.04	HFG221M30035□VA
	220	22×45	0.18	0.99	HFG221M22045□VA
	220	25×30	0.18	0.89	HFG221M25030□VA

WV _{DC} (Surge Voltage) (V)	Cap (μF)	Size D×L (mm)	tanδ 20°C120Hz	Ripple Curr ent 105°C120Hz (Arms)	Catalog Part Number	
400 (450)	390	30×50	0.18	1.60	HFG391M30050□VA	
	390	35×40	0.18	1.60	HFG391M35040□VA	
	470	35×40	0.18	1.81	HFG471M35040□VA	
	470	35×45	0.18	1.90	HFG471M35045□VA	
	560	35×50	0.18	2.12	HFG561M35050□VA	
	560	35×40	0.18	1.93	HFG561M35040□VA	
	560	30×60	0.18	2.12	HFG561M30060□VA	
	680	35×60	0.18	2.30	HFG681M35060□VA	
	820	35×65	0.18	2.70	HFG821M35065□VA	
	1000	35×70	0.18	3.00	HFG102M35070□VA	
	1000	40×65	0.18	3.20	HFG102M40065□VA	
	1000	35×65	0.18	2.9	HFG102M35065□VA	
	1000	35×75	0.18	3.09	HFG102M35075□VA	
	1200	35×90	0.18	3.80	HFG122M35090□VA	
	1200	40×80	0.18	3.90	HFG122M40080□VA	
	1200	45×60	0.18	3.70	HFG122M45060□VA	
	1500	40×90	0.18	4.20	HFG152M40090□VA	
	1500	45×75	0.18	4.40	HFG152M45075□VA	
	1500	50×70	0.18	4.70	HFG152M50070□VA	
	1800	45×90	0.18	5.40	HFG182M45090□VA	
	1800	50×80	0.18	5.40	HFG182M50080□VA	
	2200	50×90	0.18	6.20	HFG222M50090□VA	
	2700	50×105	0.18	7.00	HFG272M50105□VA	
	450 (500)	47	22×25	0.20	0.38	HFE470M22025□VA
		56	22×25	0.20	0.47	HFE560M22025□VA
		68	22×30	0.20	0.56	HFE680M22030□VA
		68	25×25	0.20	0.56	HFE680M25025□VA
82		22×35	0.20	0.64	HFE820M22035□VA	
82		25×30	0.20	0.64	HFE820M25030□VA	
100		22×30	0.20	0.62	HFE101M22030□VA	
100		25×30	0.20	0.70	HFE101M25030□VA	
100		30×25	0.20	0.78	HFE101M30025□VA	
120		22×45	0.20	0.73	HFE121M22045□VA	
120		25×35	0.20	0.73	HFE121M25035□VA	
120		30×30	0.20	0.73	HFE121M30030□VA	
150		22×50	0.20	0.78	HFE151M22050□VA	
150		25×40	0.20	0.82	HFE151M25040□VA	
150		30×30	0.20	0.83	HFE151M30030□VA	
150		35×25	0.20	0.86	HFE151M35025□VA	
180		25×45	0.20	0.88	HFE181M25045□VA	
180		30×35	0.20	0.88	HFE181M30035□VA	
180		35×30	0.20	0.88	HFE181M35030□VA	
220		25×50	0.20	0.94	HFE221M25050□VA	
220		30×30	0.20	0.84	HFE221M30030□VA	
220		25×30	0.20	0.75	HFE221M25030□VA	
220		30×40	0.20	0.96	HFE221M30040□VA	
220		35×30	0.20	0.92	HFE221M35030□VA	
270		30×45	0.20	1.20	HFE271M30045□VA	
270		35×35	0.20	1.18	HFE271M35035□VA	
330		30×50	0.20	1.40	HFE331M30050□VA	
330		35×35	0.20	1.35	HFE331M35035□VA	
330		35×40	0.20	1.39	HFE331M35040□VA	
390		30×55	0.20	1.58	HFE391M30055□VA	
390	35×45	0.20	1.58	HFE391M35045□VA		
470	35×50	0.20	1.83	HFE471M35050□VA		
560	35×60	0.20	2.10	HFE561M35060□VA		

270	25×50	0.18	1.29	HFG271M25050□□VA
270	30×40	0.18	1.22	HFG271M30040□□VA
330	30×45	0.18	1.55	HFG331M30045□□VA
330	35×25	0.18	1.34	HFG331M35025□□VA
330	30×30	0.18	1.31	HFG331M30030□□VA

560	35×45	0.20	1.86	HFE561M35045□□VA
680	35×65	0.20	2.40	HFE681M35065□□VA
680	40×60	0.20	2.50	HFE681M40060□□VA
680	35×50	0.20	2.14	HFE681M35050□□VA
680	35×60	0.20	2.32	HFE681M35060□□VA

*产品编码中□内为产品端子引出型式代码 *□Enter the appropriate terminal code

HF 系列 SERIES

◆产品一览表 Standard Ratings

WV _{DC} (Surge Voltage) (V)	Cap (μF)	Size D×L (mm)	tanδ 20°C/120Hz	Ripple Curr ent 105°C/120Hz (A rms)	Catalog Part Number
420	100	22×25	0.18	0.61	HFF101M22025□□VA
450 (500)	820	35×75	0.20	2.88	HFE821M35075□□VA
	820	40×65	0.20	2.90	HFE821M40065□□VA
	1000	35×90	0.20	3.46	HFE102M35090□□VA
	1000	40×80	0.20	3.54	HFE102M40080□□VA
	1200	40×95	0.20	4.40	HFE122M40095□□VA
	1200	45×75	0.20	4.10	HFE122M45075□□VA
	1200	50×65	0.20	4.10	HFE122M50065□□VA
	1500	40×100	0.20	4.80	HFE152M40100□□VA
	1500	45×90	0.20	4.90	HFE152M45090□□VA
	1500	50×80	0.20	5.00	HFE152M50080□□VA
1800	50×95	0.20	5.60	HFE182M50095□□VA	
2200	50×110	0.20	6.50	HFE222M50110□□VA	
500 (550)	39	22×30	0.20	0.35	HFC390M22030□□VA
	47	22×35	0.20	0.42	HFC470M22035□□VA
	56	22×40	0.20	0.47	HFC560M22040□□VA
	68	22×45	0.20	0.54	HFC680M22045□□VA
	68	25×30	0.20	0.54	HFC680M25030□□VA
	82	22×50	0.20	0.62	HFC820M22050□□VA
	82	25×40	0.20	0.62	HFC820M25040□□VA
	100	25×45	0.20	0.67	HFC101M25045□□VA
	100	30×30	0.20	0.62	HFC101M30030□□VA
	120	25×50	0.20	0.77	HFC121M25050□□VA
	120	30×35	0.20	0.72	HFC121M30035□□VA
	120	35×30	0.20	0.72	HFC121M35030□□VA
	150	30×40	0.20	0.85	HFC151M30040□□VA
	150	35×35	0.20	0.85	HFC151M35035□□VA
	180	30×45	0.20	0.93	HFC181M30045□□VA
	180	35×40	0.20	0.93	HFC181M35040□□VA
	220	30×50	0.20	1.12	HFC221M30050□□VA
	220	35×45	0.20	1.12	HFC221M35045□□VA
	270	30×55	0.20	1.29	HFC271M30055□□VA
	270	35×50	0.20	1.29	HFC271M35050□□VA
	330	35×60	0.20	1.62	HFC331M35060□□VA
	470	35×60	0.20	2.00	HFC471M35060□□VA
	560	35×65	0.20	2.20	HFC561M35065□□VA
	560	40×55	0.20	2.20	HFC561M40055□□VA
	680	35×75	0.20	2.60	HFC681M35075□□VA
	680	40×70	0.20	2.70	HFC681M40070□□VA
	820	40×75	0.20	3.10	HFC821M40075□□VA
	820	45×60	0.20	3.00	HFC821M45060□□VA

*产品编码中□内为产品端子引出型式代码
*□Enter the appropriate terminal code

*记载之外的体积，请另行咨询。
* Please ask for advice for other sizes.

*铝电解电容器由于承受纹波电流而发热，随着温升而发生性能劣化。请在使用中降低产品承受的纹波电流。

*Aluminum electrolytic capacitor will emit heat when ripple current is applied, the performance will deteriorate when temp. rises. Please reduce the ripple current when using capacitor.

WV _{DC} (Surge Voltage) (V)	Cap (μF)	Size D×L (mm)	tanδ 20°C/120Hz	Ripple Curr ent 105°C/120Hz (A rms)	Catalog Part Number	
500 (550)	1000	40×90	0.20	3.70	HFC102M40090□□VA	
	1000	45×75	0.20	3.60	HFC102M45075□□VA	
	1200	40×100	0.20	4.20	HFC122M40100□□VA	
	1200	45×85	0.20	4.10	HFC122M45085□□VA	
	1200	50×80	0.20	4.30	HFC122M50080□□VA	
	1500	45×100	0.20	4.80	HFC152M45100□□VA	
	1500	50×90	0.20	4.90	HFC152M50090□□VA	
	1800	50×105	0.20	5.60	HFC182M50105□□VA	
	550 (600)	180	30×50	0.20	1.00	HFZ181M30050□□VA
		220	30×60	0.20	1.20	HFZ221M30060□□VA
270		35×50	0.20	1.30	HFZ271M35050□□VA	
330		35×60	0.20	1.50	HFZ331M35060□□VA	
390		35×70	0.20	1.80	HFZ391M35070□□VA	
390		40×60	0.20	1.80	HFZ391M40060□□VA	
470		35×80	0.20	2.10	HFZ471M35080□□VA	
470		40×70	0.20	2.10	HFZ471M40070□□VA	
560		35×90	0.20	2.40	HFZ561M35090□□VA	
560		40×80	0.20	2.40	HFZ561M40080□□VA	
680		40×90	0.20	2.80	HFZ681M40090□□VA	
680		45×70	0.20	2.70	HFZ681M45070□□VA	
820		45×85	0.20	3.20	HFZ821M45085□□VA	
820		50×70	0.20	3.10	HFZ821M50070□□VA	
1000		45×100	0.20	3.80	HFZ102M45100□□VA	
1000	50×80	0.20	3.60	HFZ102M50080□□VA		
1200	50×90	0.20	4.20	HFZ122M50090□□VA		
600 (650)	180	35×45	0.20	0.92	HFB181M35045□□VA	
	220	35×50	0.20	1.08	HFB221M35050□□VA	
	270	35×60	0.20	1.30	HFB271M35060□□VA	
	330	35×70	0.20	1.50	HFB331M35070□□VA	
	470	35×80	0.20	1.92	HFB471M35080□□VA	
	560	40×100	0.20	2.44	HFB561M40100□□VA	

X-ON Electronics

Largest Supplier of Electrical and Electronic Components

Click to view similar products for [Aluminium Electrolytic Capacitors - Radial Leaded](#) category:

Click to view products by [Zeasset](#) manufacturer:

Other Similar products are found below :

[NRELS102M35V16X16C.140LLF](#) [ESRG160ETC100MD07D](#) [227RZS050M](#) [335CKR250M](#) [476CKH100MSA](#) [477CKR100M](#)
[107CKR010M](#) [107CKH063MSA](#) [RJH-25V222MI9#](#) [RJH-35V221MG5#](#) [B43827A1106M8](#) [RJH-50V221MH6#](#) [EKYA500ELL470MF11D](#)
[B41022A5686M6](#) [ESRG250ELL101MH09D](#) [EKMA160EC3101MF07D](#) [RJB-10V471MG3#](#) [ESMG160ETD221MF11D](#)
[EKZH160ETD152MJ20S](#) [RJH-35V122MJ6#](#) [EGXF630ELL621ML20S](#) [RBD-25V100KE3#N](#) [EKMA350ELL100ME07D](#)
[ESMG160ETD101ME11D](#) [ELXY100ETD102MJ20S](#) [EGXF500ELL561ML15S](#) [EKMG350ETD471MJ16S](#) [35YXA330MEFC10X12.5](#)
[RXW471M1ESA-0815](#) [ELXZ630ELL221MJ25S](#) [ERR1HM1R0D11OT](#) [LPE681M30060FVA](#) [LPL471M22030FVA](#) [HFE221M25030FVA](#)
[LKMD1401H221MF](#) [B41888G6108M000](#) [EKMA160ETD470MF07D](#) [UHW1J102MHD6](#) [EKMG500ETD221MJC5S](#) [LKMK2502W101MF](#)
[LKMD1401H181MF](#) [LKMI2502G820MF](#) [LKMJ2001J122MF](#) [LKML2501C472MF](#) [LKMJ4002C681MF](#) [450MXH330MEFCSN25X45](#)
[450MXK330MA2RFC22X50](#) [63ZLH560MEFCG412.5X30](#) [ELH2DM331O25KT](#) [ELH2DM471P30KT](#)