

HP系列 SERIES



- 电焊机专用标准品。
Special design for welding machine.
- 保证105°C、2000小时寿命。(叠加纹波电流)
Endurance with ripple current: 2000 hours at 105°C
- 额定工作电压范围：16V ~ 450V
Rated voltage range: 16V-450V

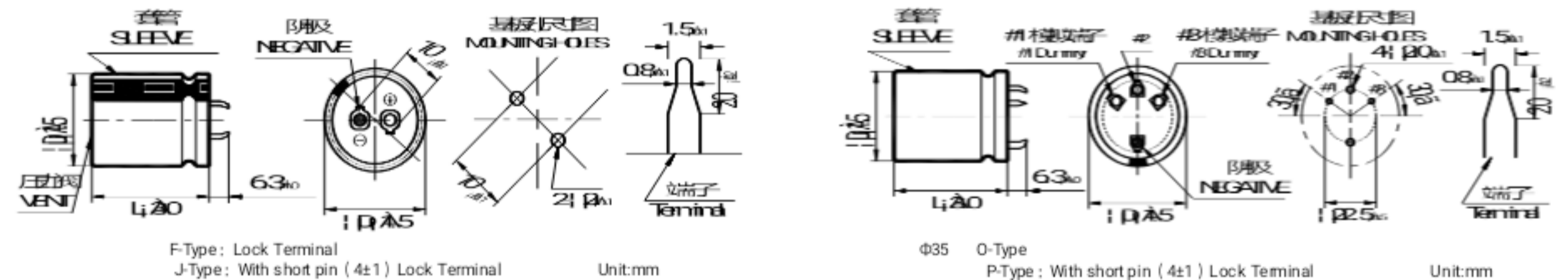
◆规格表 SPECIFICATIONS

项目 Items	特性 Characteristics											
	工作温度范围 Operating Temperature Range	- 40 ~ +105°C	- 25 ~ +105°C									
额定工作电压范围 Rated Working Voltage Range	16 ~ 100V	160 ~ 450V										
静电容量允许偏差 Capacitance Tolerance	±20% (20°C, 120Hz)											
损耗角正切值 Dissipation Factor (MAX) 20°C, 120Hz	U _R (V)	16	25	35	50	63	80	100	160 ~ 315	350 ~ 400	450	
	tanδ	0.50	0.45	0.40	0.35	0.30	0.25	0.20	0.15	0.18	0.20	
阻抗比 Impedance Ratio (MAX) 120Hz	U _R (V)	16 ~ 100	160 ~ 200	250	315	350 ~ 400	450					
	Z _{-25°C} /Z _{+20°C}	4	3	4	7	7	8					
	Z _{-40°C} /Z _{+20°C}	18										
漏电流 Leakage Current (MAX)	I = 0.01C _R U _R 或1.5mA取小者 (20°C, 施加额定电压5分钟后) I = 0.01C _R U _R or 1.5mA whichever is minimum. (at 20°C, After 5 minutes application of rated voltage) I = 漏电流 (μA) U _R = 额定电压 (V) C _R = 静电容量 (μF) Leakage Current Rated Voltage Rated Capacitance											

	使用寿命 Useful Life		负荷寿命 Load Life	耐久性特性 Endurance Test	高温无负荷特性 Shelf Life
产品寿命 Life Time	4000h	>180000	2000h	2000h	1000h
漏电流 Leakage Current	≤规定值 ≤Specified value		≤规定值 ≤Specified value	≤规定值 ≤Specified value	≤规定值 ≤Specified value
损耗角正切值变化率 tanδ Change	≤规定值的300% ≤300% of specified value		≤规定值的200% ≤200% of specified value	≤规定值的200% ≤200% of specified value	≤规定值的200% ≤200% of specified value
静电容量变化率 Capacitance Change	初始值±30%以内 Within±30% of initial value		初始值±20%以内 Within±20% of initial value	初始值±20%以内 Within±20% of initial value	初始值±20%以内 Within±20% of initial value
施加条件 Condition 施加电压 Applied Voltage 施加纹波电流 Applied Ripple Current 环境温度 Applied Temperature 失效率等级 Failure Rate Level	U _R I _R 105°C ≤1% Failure rate	U _R 1.4×I _R 40°C ≤1% Failure rate	U _R I _R 105°C 0%	U _R I _R =0 105°C 0%	U _R =0 I _R =0 105°C 0% Back up to 20 °C and placed more than 24 hours. U _R to be applied for 60 min before measurement.

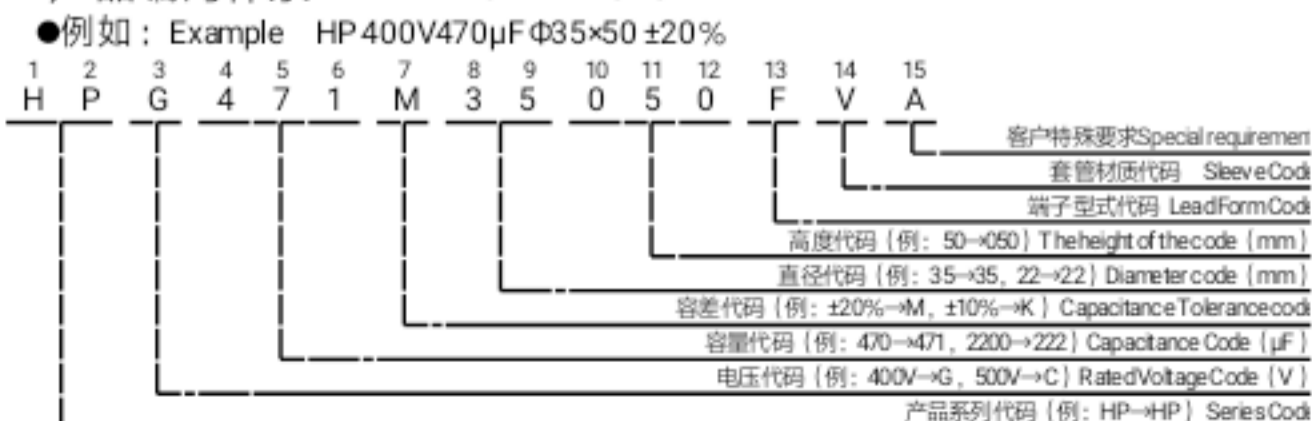
◆尺寸图 Dimensions

- 常用端子型式代码：Terminal Code



- 记载以外的端子形状，请另行咨询。Please consult to us for the terminal type not displayed in content.

◆产品编码体系 PART NUMBER SYSTEM



◆纹波电流修正系数 Rated Ripple Current Multiplies

● 频率修正系数 Frequency coefficient

电压范围 (v) Rated voltage	频率 (Hz) Frequency				
	50 (60)	100 (120)	300	1k	≥10k
16 ~ 50VV	0.90	1.00	1.10	1.15	1.15
63 ~ 100VV	0.85	1.00	1.17	1.32	1.45
160 ~ 450VV	0.80	1.00	1.16	1.30	1.41

● 温度修正系数 Temperature coefficient

电压范围 (v) Rated voltage	温度 (°C) Temperature				
	+40	+55	+70	+85	+105
16 ~ 450VV	2.7	2.5	2.1	1.7	1.0

◆ 产品一览表 Standard Ratings

WV _{DC} (Surge Voltage) (V)	Cap (μ F)	Size D \times L (mm)	tan δ 20°C/120Hz	Ripple Current 105°C/120Hz (A rms)	Catalog Part Number
16 (20)	6800	22 \times 25	0.50	2.25	HPV682M22025□VA
	8200	22 \times 25	0.50	2.43	HPV822M22025□VA
	10000	22 \times 30	0.50	2.79	HPV103M22030□VA
	10000	25 \times 25	0.50	2.79	HPV103M25025□VA
	12000	22 \times 35	0.50	2.90	HPV123M22035□VA
	12000	25 \times 30	0.50	2.90	HPV123M25030□VA
	12000	30 \times 25	0.50	2.90	HPV123M30025□VA
	15000	22 \times 40	0.50	3.20	HPV153M22040□VA
	15000	25 \times 30	0.50	3.20	HPV153M25030□VA
	15000	30 \times 25	0.50	3.20	HPV153M30025□VA
	18000	22 \times 45	0.50	3.50	HPV183M22045□VA
	18000	25 \times 35	0.50	3.50	HPV183M25035□VA
	18000	30 \times 30	0.50	3.50	HPV183M30030□VA
	18000	35 \times 25	0.50	3.50	HPV183M35025□VA
	22000	25 \times 40	0.50	3.80	HPV223M25040□VA
	22000	30 \times 35	0.50	3.80	HPV223M30035□VA
	22000	35 \times 25	0.50	3.80	HPV223M35025□VA
	27000	25 \times 50	0.50	4.20	HPV273M25050□VA
	27000	30 \times 35	0.50	4.20	HPV273M30035□VA
	27000	35 \times 30	0.50	4.20	HPV273M35030□VA
	33000	30 \times 45	0.50	4.70	HPV333M30045□VA
	33000	35 \times 35	0.50	4.70	HPV333M35035□VA
	39000	30 \times 50	0.50	5.10	HPV393M30050□VA
	39000	35 \times 35	0.50	5.10	HPV393M35035□VA
	47000	30 \times 55	0.50	5.55	HPV473M30055□VA
	47000	35 \times 40	0.50	5.55	HPV473M35040□VA
	56000	30 \times 60	0.50	5.90	HPV563M30060□VA
	56000	35 \times 45	0.50	5.90	HPV563M35045□VA
68000	35 \times 55	0.50	6.30	HPV683M35055□VA	
82000	35 \times 60	0.50	6.40	HPV823M35060□VA	
25 (32)	4700	22 \times 25	0.45	2.04	HPU472M22025□VA
	5600	22 \times 30	0.45	2.23	HPU562M22030□VA
	6800	22 \times 30	0.45	2.40	HPU682M22030□VA
	6800	25 \times 25	0.45	2.40	HPU682M25025□VA
	8200	22 \times 35	0.45	2.70	HPU822M22035□VA
	8200	25 \times 30	0.45	2.70	HPU822M25030□VA
	8200	30 \times 25	0.45	2.70	HPU822M30025□VA
	10000	22 \times 40	0.45	3.00	HPU103M22040□VA
	10000	25 \times 35	0.45	3.00	HPU103M25035□VA
	10000	30 \times 25	0.45	3.00	HPU103M30025□VA
	12000	22 \times 45	0.45	3.20	HPU123M22045□VA
	12000	25 \times 40	0.45	3.20	HPU123M25040□VA
	12000	30 \times 30	0.45	3.20	HPU123M30030□VA
	12000	35 \times 25	0.45	3.20	HPU123M35025□VA
	15000	25 \times 45	0.45	3.60	HPU153M25045□VA
	15000	30 \times 35	0.45	3.60	HPU153M30035□VA
	15000	35 \times 25	0.45	3.60	HPU153M35025□VA
	18000	25 \times 50	0.45	3.90	HPU183M25050□VA
	18000	30 \times 40	0.45	3.90	HPU183M30040□VA
	18000	35 \times 30	0.45	3.90	HPU183M35030□VA
	22000	30 \times 45	0.45	4.30	HPU223M30045□VA
	22000	35 \times 35	0.45	4.30	HPU223M35035□VA
	27000	30 \times 50	0.45	4.80	HPU273M30050□VA
	27000	35 \times 40	0.45	4.80	HPU273M35040□VA
	33000	30 \times 60	0.45	5.55	HPU333M30060□VA
	33000	35 \times 45	0.45	5.55	HPU333M35045□VA
	39000	35 \times 50	0.45	6.00	HPU393M35050□VA
	47000	35 \times 60	0.45	6.56	HPU473M35060□VA

WV _{DC} (Surge Voltage) (V)	Cap (μ F)	Size D \times L (mm)	tan δ 20°C/120Hz	Ripple Current 105°C/120Hz (A rms)	Catalog Part Number	
35 (44)	2700	22 \times 25	0.40	1.62	HPT272M22025□VA	
	3300	22 \times 30	0.40	1.94	HPT332M22030□VA	
	3300	25 \times 25	0.40	1.94	HPT332M25025□VA	
	3900	22 \times 30	0.40	2.02	HPT392M22030□VA	
	3900	25 \times 25	0.40	2.02	HPT392M25025□VA	
	4700	22 \times 35	0.40	2.21	HPT472M22035□VA	
	4700	25 \times 30	0.40	2.20	HPT472M25030□VA	
	4700	30 \times 25	0.40	2.20	HPT472M30025□VA	
	5600	22 \times 40	0.40	2.40	HPT562M22040□VA	
	5600	25 \times 30	0.40	2.40	HPT562M25030□VA	
	5600	30 \times 25	0.40	2.40	HPT562M30025□VA	
	6800	22 \times 45	0.40	2.78	HPT682M22045□VA	
	6800	25 \times 35	0.40	2.78	HPT682M25035□VA	
	6800	30 \times 30	0.40	2.78	HPT682M30030□VA	
	6800	35 \times 25	0.40	2.78	HPT682M35025□VA	
	8200	22 \times 50	0.40	2.90	HPT822M22050□VA	
	8200	25 \times 40	0.40	2.90	HPT822M25040□VA	
	8200	30 \times 30	0.40	2.90	HPT822M30030□VA	
	8200	35 \times 25	0.40	2.90	HPT822M35025□VA	
	10000	25 \times 45	0.40	3.20	HPT103M25045□VA	
	10000	30 \times 35	0.40	3.20	HPT103M30035□VA	
	10000	35 \times 30	0.40	3.20	HPT103M35030□VA	
	12000	25 \times 50	0.40	3.50	HPT123M25050□VA	
	12000	30 \times 40	0.40	3.50	HPT123M30040□VA	
	12000	35 \times 30	0.40	3.50	HPT123M35030□VA	
	15000	30 \times 45	0.40	3.90	HPT153M30045□VA	
	15000	35 \times 35	0.40	3.90	HPT153M35035□VA	
	18000	30 \times 50	0.40	4.51	HPT183M30050□VA	
	18000	35 \times 40	0.40	4.51	HPT183M35040□VA	
	22000	35 \times 50	0.40	5.24	HPT223M35050□VA	
	27000	35 \times 55	0.40	5.60	HPT273M35055□VA	
	50 (63)	1500	22 \times 25	0.35	1.29	HPR152M22025□VA
		1800	22 \times 25	0.35	1.53	HPR182M22025□VA
		2200	22 \times 30	0.35	1.72	HPR222M22030□VA
		2200	25 \times 25	0.35	1.70	HPR222M25025□VA
		2700	22 \times 30	0.35	1.82	HPR272M22030□VA
		2700	25 \times 25	0.35	1.80	HPR272M25025□VA
		3300	22 \times 35	0.35	2.01	HPR332M22035□VA
		3300	25 \times 30	0.35	2.01	HPR332M25030□VA
		3300	30 \times 25	0.35	2.01	HPR332M30025□VA
		3900	22 \times 40	0.35	2.23	HPR392M22040□VA
		3900	25 \times 35	0.35	2.23	HPR392M25035□VA
		3900	30 \times 25	0.35	2.23	HPR392M30025□VA
		4700	22 \times 45	0.35	2.50	HPR472M22045□VA
4700		25 \times 40	0.35	2.50	HPR472M25040□VA	
4700		30 \times 30	0.35	2.50	HPR472M30030□VA	
4700		35 \times 25	0.35	2.50	HPR472M35025□VA	
5600		22 \times 50	0.35	2.80	HPR562M22050□VA	
5600		25 \times 40	0.35	2.80	HPR562M25040□VA	
5600		30 \times 35	0.35	2.80	HPR562M30035□VA	
5600		35 \times 25	0.35	2.80	HPR562M35025□VA	
6800		25 \times 50	0.35	3.30	HPR682M25050□VA	
6800		30 \times 40	0.35	3.30	HPR682M30040□VA	
6800		35 \times 30	0.35	3.30	HPR682M35030□VA	
8200		30 \times 45	0.35	3.85	HPR822M30045□VA	
8200		35 \times 35	0.35	3.85	HPR822M35035□VA	
10000		30 \times 50	0.35	4.49	HPR103M30050□VA	
10000		35 \times 40	0.35	4.49	HPR103M35040□VA	

*产品编码中□内为产品端子引出型式代码
*□ Enter the appropriate terminal code

HP系列 SERIES

◆产品一览表 Standard Ratings

W _{DC} (Surge Voltage) (V)	Cap (μ F)	Size D×L (mm)	tan δ 20°C/120Hz	Ripple Current 105°C/120Hz (Ams)	Catalog Part Number	
50 (63)	12000	30×55	0.35	4.56	HPR123M30055□VA	
	12000	35×45	0.35	4.56	HPR123M35045□VA	
	15000	35×60	0.35	5.10	HPR153M35060□VA	
63 (79)	1000	22×25	0.30	1.21	HPQ102M22025□VA	
	1200	22×25	0.30	1.40	HPQ122M22025□VA	
	1500	22×30	0.30	1.52	HPQ152M22030□VA	
	1500	25×25	0.30	1.52	HPQ152M25025□VA	
	1800	22×30	0.30	1.72	HPQ182M22030□VA	
	1800	25×25	0.30	1.72	HPQ182M25025□VA	
	2200	22×35	0.30	2.01	HPQ222M22035□VA	
	2200	25×30	0.30	2.01	HPQ222M25030□VA	
	2200	30×25	0.30	2.01	HPQ222M30025□VA	
	2700	22×40	0.30	2.20	HPQ272M22040□VA	
	2700	25×35	0.30	2.20	HPQ272M25035□VA	
	2700	30×25	0.30	2.20	HPQ272M30025□VA	
	3300	22×45	0.30	2.60	HPQ332M22045□VA	
	3300	25×40	0.30	2.60	HPQ332M25040□VA	
	3300	30×30	0.30	2.60	HPQ332M30030□VA	
	3300	35×25	0.30	2.60	HPQ332M35025□VA	
	3900	25×45	0.30	2.57	HPQ392M25045□VA	
	3900	30×35	0.30	2.70	HPQ392M30035□VA	
	3900	35×25	0.30	2.70	HPQ392M35025□VA	
	5600	30×40	0.30	3.22	HPQ562M30040□VA	
	5600	35×35	0.30	3.30	HPQ562M35035□VA	
	6800	30×50	0.30	3.68	HPQ682M30050□VA	
	6800	35×35	0.30	3.84	HPQ682M35035□VA	
	8200	30×55	0.30	4.43	HPQ822M30055□VA	
	8200	35×40	0.30	4.43	HPQ822M35040□VA	
	10000	35×50	0.30	5.11	HPQ103M35050□VA	
	12000	35×55	0.30	5.30	HPQ123M35055□VA	
	80 (100)	820	22×25	0.25	1.04	HPP821M22025□VA
		1000	22×25	0.25	1.19	HPP102M22025□VA
		1200	22×30	0.25	1.50	HPP122M22030□VA
		1200	25×25	0.25	1.50	HPP122M25025□VA
		1500	22×35	0.25	1.59	HPP152M22035□VA
		1500	25×30	0.25	1.59	HPP152M25030□VA
1800		22×40	0.25	1.79	HPP182M22040□VA	
1800		25×30	0.25	1.79	HPP182M25030□VA	
1800		30×25	0.25	1.79	HPP182M30025□VA	
2200		22×45	0.25	2.03	HPP222M22045□VA	
2200		25×35	0.25	2.10	HPP222M25035□VA	
2200		30×30	0.25	2.10	HPP222M30030□VA	
2200		35×25	0.25	2.10	HPP222M35025□VA	
2700		22×50	0.25	2.39	HPP272M22050□VA	
2700		25×40	0.25	2.35	HPP272M25040□VA	
2700		30×30	0.25	2.35	HPP272M30030□VA	
2700		35×25	0.25	2.35	HPP272M35025□VA	
3300		25×50	0.25	2.60	HPP332M25050□VA	
3300		30×35	0.25	2.61	HPP332M30035□VA	
3300		35×25	0.25	2.64	HPP332M35025□VA	
3900		30×40	0.25	2.97	HPP392M30040□VA	
3900		35×30	0.25	2.97	HPP392M35030□VA	
4700		30×45	0.25	3.34	HPP472M30045□VA	
4700		35×40	0.25	3.38	HPP472M35040□VA	
5600		30×55	0.25	3.80	HPP562M30055□VA	
5600		35×40	0.25	3.80	HPP562M35040□VA	
6800		30×60	0.25	3.90	HPP682M30060□VA	
6800		35×45	0.25	3.90	HPP682M35045□VA	

W _{DC} (Surge Voltage) (V)	Cap (μ F)	Size D×L (mm)	tan δ 20°C/120Hz	Ripple Current 105°C/120Hz (Ams)	Catalog Part Number	
80 (100)	8200	35×55	0.25	4.20	HPP822M35055□VA	
	10000	35×60	0.20	4.48	HPP103M35060□VA	
100 (125)	470	22×25	0.20	0.68	HPO471M22025□VA	
	560	22×25	0.20	0.95	HPO561M22025□VA	
	680	22×30	0.20	1.15	HPO681M22030□VA	
	680	25×25	0.20	1.15	HPO681M25025□VA	
	820	22×30	0.20	1.40	HPO821M22030□VA	
	820	25×25	0.20	1.40	HPO821M25025□VA	
	1000	22×35	0.20	1.47	HPO102M22035□VA	
	1000	25×30	0.20	1.47	HPO102M25030□VA	
	1000	30×25	0.20	1.47	HPO102M30025□VA	
	1200	22×40	0.20	1.69	HPO122M22040□VA	
	1200	25×30	0.20	1.68	HPO122M25030□VA	
	1200	30×25	0.20	1.68	HPO122M30025□VA	
	1500	25×40	0.20	1.98	HPO152M25040□VA	
	1500	30×30	0.20	1.95	HPO152M30030□VA	
	1500	35×25	0.20	1.95	HPO152M35025□VA	
	1800	25×45	0.20	2.20	HPO182M25045□VA	
	1800	30×35	0.20	2.20	HPO182M30035□VA	
	1800	35×25	0.20	2.20	HPO182M35025□VA	
	2200	25×50	0.20	2.53	HPO222M25050□VA	
	2200	30×40	0.20	2.55	HPO222M30040□VA	
	2200	35×30	0.20	2.60	HPO222M35030□VA	
	2700	30×45	0.20	2.86	HPO272M30045□VA	
	2700	35×35	0.20	2.90	HPO272M35035□VA	
	3300	30×50	0.20	3.30	HPO332M30050□VA	
	3300	35×40	0.20	3.30	HPO332M35040□VA	
	3900	30×60	0.20	3.60	HPO392M30060□VA	
	3900	35×45	0.20	3.67	HPO392M35045□VA	
	4700	35×50	0.20	3.80	HPO472M35050□VA	
	5600	35×60	0.20	4.05	HPO562M35060□VA	
	160 (200)	180	22×25	0.15	0.70	HPN181M22025□VA
		220	22×25	0.15	0.78	HPN221M22025□VA
		270	22×30	0.15	1.10	HPN271M22030□VA
		330	22×30	0.15	1.20	HPN331M22030□VA
330		25×25	0.15	1.20	HPN331M25025□VA	
390		22×35	0.15	1.30	HPN391M22035□VA	
390		25×30	0.15	1.30	HPN391M25030□VA	
390		30×25	0.15	1.30	HPN391M30025□VA	
470		22×40	0.15	1.55	HPN471M22040□VA	
470		25×35	0.15	1.55	HPN471M25035□VA	
470		30×25	0.15	1.55	HPN471M30025□VA	
560		22×45	0.15	1.67	HPN561M22045□VA	
560		25×35	0.15	1.67	HPN561M25035□VA	
560		30×30	0.15	1.67	HPN561M30030□VA	
680		22×45	0.15	1.74	HPN681M22045□VA	
680		22×50	0.15	1.82	HPN681M22050□VA	
680		25×40	0.15	1.85	HPN681M25040□VA	
680		30×30	0.15	1.82	HPN681M30030□VA	
680		35×25	0.15	1.82	HPN681M35025□VA	
820		25×45	0.15	2.04	HPN821M25045□VA	
820		30×35	0.15	2.04	HPN821M30035□VA	
820		35×30	0.15	2.04	HPN821M35030□VA	
1000		25×50	0.15	2.40	HPN102M25050□VA	
1000		30×40	0.15	2.25	HPN102M30040□VA	
1000		35×30	0.15	2.25	HPN102M35030□VA	
1200		30×45	0.15	2.49	HPN122M30045□VA	
1200		35×35	0.15	2.49	HPN122M35035□VA	
1500		30×50	0.15	2.84	HPN152M30050□VA	

*产品编码中□内为产品端子引出型式代码

* Enter the appropriate terminal code

HP系列 SERIES

◆ 产品一览表 Standard Ratings

W _{DC} (Surge Voltage) (V)	Cap (μ F)	Size DxL (mm)	tan δ 20°C/120Hz	Ripple Current 105°C/120Hz (Arms)	Catalog Part Number	W _{DC} (Surge Voltage) (V)	Cap (μ F)	Size DxL (mm)	tan δ 20°C/120Hz	Ripple Current 105°C/120Hz (Arms)	Catalog Part Number
160 (200)	1500	35x40	0.15	2.84	HPN152M35040□VA	250 (300)	560	30x40	0.15	1.80	HPJ561M30040□VA
	1800	30x60	0.15	3.32	HPN182M30060□VA		560	35x30	0.15	1.80	HPJ561M35030□VA
	1800	35x45	0.15	3.32	HPN182M35045□VA		680	30x45	0.15	2.00	HPJ681M30045□VA
	2200	35x55	0.15	3.60	HPN222M35055□VA		680	35x35	0.15	2.00	HPJ681M35035□VA
	2700	35x60	0.15	4.16	HPN272M35060□VA		820	30x55	0.15	2.30	HPJ821M30055□VA
200 (250)	150	22x25	0.15	0.70	HPL151M22025□VA		820	35x40	0.15	2.30	HPJ821M35040□VA
	180	22x25	0.15	0.80	HPL181M22025□VA		1000	30x60	0.15	2.70	HPJ102M30060□VA
	220	22x25	0.15	1.00	HPL221M22025□VA		1000	35x50	0.15	2.70	HPJ102M35050□VA
	270	22x30	0.15	1.10	HPL271M22030□VA		1200	35x55	0.15	3.09	HPJ122M35055□VA
	270	25x25	0.15	1.10	HPL271M25025□VA		315 (365)	82	22x25	0.15	0.64
	330	22x35	0.15	1.25	HPL331M22035□VA	100		22x25	0.15	0.69	HPI101M22025□VA
	330	25x25	0.15	1.25	HPL331M25025□VA	120		22x30	0.15	0.75	HPI121M22030□VA
	390	22x35	0.15	1.35	HPL391M22035□VA	120		25x25	0.15	0.75	HPI121M25025□VA
	390	25x30	0.15	1.35	HPL391M25030□VA	150		22x35	0.15	0.82	HPI151M22035□VA
	390	30x25	0.15	1.36	HPL391M30025□VA	150		25x30	0.15	0.82	HPI151M25030□VA
	470	22x40	0.15	1.50	HPL471M22040□VA	180		22x40	0.15	0.86	HPI181M22040□VA
	470	25x35	0.15	1.50	HPL471M25035□VA	180		25x35	0.15	0.86	HPI181M25035□VA
	470	30x25	0.15	1.50	HPL471M30025□VA	180		30x25	0.15	0.86	HPI181M30025□VA
	560	22x45	0.15	1.67	HPL561M22045□VA	220		22x45	0.15	0.98	HPI221M22045□VA
	560	25x35	0.15	1.60	HPL561M25035□VA	220		25x40	0.15	1.04	HPI221M25040□VA
	560	30x30	0.15	1.67	HPL561M30030□VA	220		30x30	0.15	1.04	HPI221M30030□VA
	560	35x25	0.15	1.60	HPL561M35025□VA	270		22x50	0.15	1.10	HPI271M22050□VA
	680	25x45	0.15	1.78	HPL681M25045□VA	270		25x45	0.15	1.16	HPI271M25045□VA
	680	30x35	0.15	1.78	HPL681M30035□VA	270		30x35	0.15	1.16	HPI271M30035□VA
	680	35x25	0.15	1.78	HPL681M35025□VA	270		35x25	0.15	1.16	HPI271M35025□VA
	820	25x50	0.15	2.00	HPL821M25050□VA	330		25x50	0.15	1.33	HPI331M25050□VA
	820	30x40	0.15	2.04	HPL821M30040□VA	330		30x40	0.15	1.33	HPI331M30040□VA
	820	35x30	0.15	2.00	HPL821M35030□VA	330		35x30	0.15	1.33	HPI331M35030□VA
	1000	30x45	0.15	2.30	HPL102M30045□VA	390		30x45	0.15	1.40	HPI391M30045□VA
	1000	25x50	0.15	2.17	HPL102M25050□VA	390		35x35	0.15	1.47	HPI391M35035□VA
	1000	35x35	0.15	2.30	HPL102M35035□VA	470		30x50	0.15	1.70	HPI471M30050□VA
	1200	30x50	0.15	2.65	HPL122M30050□VA	470		35x40	0.15	1.70	HPI471M35040□VA
	1200	35x40	0.15	2.65	HPL122M35040□VA	560		30x55	0.15	1.95	HPI561M30055□VA
	1500	30x60	0.15	3.12	HPL152M30060□VA	560		35x45	0.15	2.05	HPI561M35045□VA
	1500	35x30	0.15	3.12	HPL152M35030□VA	680		30x60	0.15	2.17	HPI681M30060□VA
	1800	35x50	0.15	3.50	HPL182M35050□VA	680		35x50	0.15	2.17	HPI681M35050□VA
	2200	30x60	0.15	3.96	HPL222M30060□VA	820		35x55	0.15	2.20	HPI821M35055□VA
	2200	35x45	0.15	4.32	HPL222M35045□VA	1000		35x60	0.15	2.48	HPI102M35060□VA
	2200	35x60	0.15	4.32	HPL222M35060□VA	350 (400)		68	22x25	0.18	0.47
	250 (300)	100	22x25	0.15	0.50		HRJ101M22025□VA	82	22x25	0.18	0.54
120		22x25	0.15	0.58	HRJ121M22025□VA		100	22x30	0.18	0.60	HPH101M22030□VA
150		22x30	0.15	0.79	HRJ151M22030□VA		100	25x25	0.18	0.60	HPH101M25025□VA
150		25x25	0.15	0.79	HRJ151M25025□VA		120	22x35	0.18	0.70	HPH121M22035□VA
180		22x30	0.15	0.90	HRJ181M22030□VA		120	25x25	0.18	0.70	HPH121M25025□VA
180		25x25	0.15	0.88	HRJ181M25025□VA		150	22x40	0.18	0.77	HPH151M22040□VA
220		22x35	0.15	1.0	HRJ221M22035□VA		150	25x30	0.18	0.78	HPH151M25030□VA
270		25x30	0.15	1.18	HRJ221M25030□VA		150	30x25	0.18	0.78	HPH151M30025□VA
270		22x40	0.15	1.18	HRJ271M22040□VA		180	22x45	0.18	0.87	HPH181M22045□VA
270		25x35	0.15	1.27	HRJ271M25035□VA		180	25x35	0.18	0.92	HPH181M25035□VA
270		30x25	0.15	1.27	HRJ271M30025□VA		180	30x25	0.18	0.90	HPH181M30025□VA
330		22x45	0.15	1.30	HRJ331M22045□VA		220	22x50	0.18	1.04	HPH221M22050□VA
330		25x35	0.15	1.30	HRJ331M25035□VA		220	25x40	0.18	1.04	HPH221M25040□VA
330		30x30	0.15	1.35	HRJ331M30030□VA		220	30x30	0.18	1.02	HPH221M30030□VA
330		35x25	0.15	1.30	HRJ331M35025□VA		220	35x25	0.18	1.04	HPH221M35025□VA
390		22x50	0.15	1.49	HRJ391M22050□VA		270	25x50	0.18	1.18	HPH271M25050□VA
390		25x40	0.15	1.49	HRJ391M25040□VA		270	30x35	0.18	1.17	HPH271M30035□VA
390		30x30	0.15	1.49	HRJ391M30030□VA		270	35x30	0.18	1.21	HPH271M35030□VA
390		35x25	0.15	1.49	HRJ391M35025□VA		330	25x45	0.18	1.29	HPH331M25045□VA
470		25x45	0.15	1.65	HRJ471M25045□VA	330	30x30	0.18	1.13	HPH331M30030□VA	

	470	30×35	0.15	1.65	HPJ471M30035□VA
	470	35×30	0.15	1.65	HPJ471M35030□VA

*产品编码中□内为产品端子引出型式代码
*□Enter the appropriate terminal code

HP系列 SERIES

◆产品一览表 Standard Ratings

W _{DC} (Surge Voltage) (V)	Cap (μF)	Size D×L (mm)	tanδ 20°C/120Hz	Ripple Current 105°C/120Hz (Ams)	Catalog Part Number
350 (400)	330	30×45	0.18	1.34	HPH331M30045□VA
	330	35×35	0.18	1.22	HPH331M35035□VA
	390	30×50	0.18	1.44	HPH391M30050□VA
	390	35×40	0.18	1.44	HPH391M35040□VA
	470	30×50	0.18	1.57	HPH471M30050□VA
	470	35×45	0.18	1.69	HPH471M35045□VA
	560	30×60	0.18	1.85	HPH561M30060□VA
	560	35×50	0.18	1.90	HPH561M35050□VA
	680	35×55	0.18	2.22	HPH681M35055□VA
	820	35×60	0.18	2.40	HPH821M35060□VA
	1000	35×60	0.18	3.00	HPH102M35060□VA
400 (450)	47	22×25	0.18	0.40	HPG470M22025□VA
	56	22×25	0.18	0.51	HPG560M22025□VA
	68	22×25	0.18	0.55	HPG680M22025□VA
	82	22×30	0.18	0.64	HPG820M22030□VA
	82	25×25	0.18	0.64	HPG820M25025□VA
	100	22×30	0.18	0.70	HPG101M22030□VA
	100	25×25	0.18	0.70	HPG101M22025□VA
	120	22×35	0.18	0.75	HPG121M22035□VA
	120	25×30	0.18	0.75	HPG121M25030□VA
	120	30×25	0.18	0.75	HPG121M30025□VA
	150	22×40	0.18	0.83	HPG151M22040□VA
	150	25×35	0.18	0.83	HPG151M25035□VA
	150	30×25	0.18	0.88	HPG151M30025□VA
	180	22×50	0.18	0.96	HPG181M22050□VA
	180	25×40	0.18	0.98	HPG181M25040□VA
	180	30×30	0.18	0.98	HPG181M30030□VA
	180	35×25	0.18	0.98	HPG181M35025□VA
	220	25×45	0.18	1.06	HPG221M25045□VA
	220	30×35	0.18	1.04	HPG221M30035□VA
	220	35×25	0.18	1.10	HPG221M35025□VA
	270	25×50	0.18	1.29	HPG271M25050□VA
	270	30×40	0.18	1.22	HPG271M30040□VA
	270	35×30	0.18	1.22	HPG271M35030□VA
	330	30×45	0.18	1.55	HPG331M30045□VA
	330	35×35	0.18	1.44	HPG331M35035□VA
	390	30×50	0.18	1.60	HPG391M30050□VA
	390	35×40	0.18	1.60	HPG391M35040□VA
	470	35×50	0.18	1.99	HPG471M35050□VA
	470	25×70	0.18	1.91	HPG471M25070□VA
	470	30×50	0.18	1.82	HPG471M30050□VA
	470	35×40	0.18	1.81	HPG471M35040□VA
	470	30×60	0.18	1.90	HPG471M30060□VA
	470	35×45	0.18	1.90	HPG471M35045□VA
	560	30×50	0.18	1.95	HPG561M30050□VA
	560	35×50	0.18	2.12	HPG561M35050□VA
	680	35×50	0.18	2.13	HPG681M35050□VA
	680	30×50	0.18	1.95	HPG681M30050□VA
	680	35×60	0.18	2.12	HPG681M35060□VA

*产品编码中□内为产品端子引出型式代码
*□Enter the appropriate terminal code

*记载之外的体积，请另行咨询。
*Please ask for advice for other sizes.

*铝电解电容器由于承受纹波电流而发热，随着温升而发生性能劣化。请在使用中降低产品承受的纹波电流。

W _{DC} (Surge Voltage) (V)	Cap (μF)	Size D×L (mm)	tanδ 20°C/120Hz	Ripple Current 105°C/120Hz (Ams)	Catalog Part Number
450 (500)	47	22×25	0.20	0.39	HPE470M22025□VA
	56	22×25	0.20	0.50	HPE560M22025□VA
	68	22×30	0.20	0.53	HPE680M22030□VA
	68	25×25	0.20	0.53	HPE680M25025□VA
	82	22×35	0.20	0.64	HPE820M22035□VA
	82	25×30	0.20	0.64	HPE820M25030□VA
	100	22×40	0.20	0.65	HPE101M22040□VA
	100	25×30	0.20	0.64	HPE101M25030□VA
	100	30×25	0.20	0.72	HPE101M30025□VA
	120	22×45	0.20	0.80	HPE121M22045□VA
	120	25×35	0.20	0.80	HPE121M25035□VA
	120	30×30	0.20	0.80	HPE121M30030□VA
	150	22×50	0.20	0.84	HPE151M22050□VA
	150	25×40	0.20	0.88	HPE151M25040□VA
	150	30×30	0.20	0.88	HPE151M30030□VA
	150	35×25	0.20	0.88	HPE151M35025□VA
	180	25×45	0.20	1.00	HPE181M25045□VA
	180	30×35	0.20	1.00	HPE181M30035□VA
	180	35×30	0.20	1.04	HPE181M35030□VA
	220	25×50	0.20	1.12	HPE221M25050□VA
	220	30×40	0.20	1.12	HPE221M30040□VA
	220	35×30	0.20	1.12	HPE221M35030□VA
	270	30×45	0.20	1.28	HPE271M30045□VA
	270	35×35	0.20	1.28	HPE271M35035□VA
	330	30×50	0.20	1.39	HPE331M30050□VA
	330	35×40	0.20	1.45	HPE331M35040□VA
	390	30×60	0.20	1.60	HPE391M30060□VA
	390	35×45	0.20	1.60	HPE391M35045□VA
	470	35×50	0.20	1.85	HPE471M35050□VA
	560	35×60	0.20	2.00	HPE561M35060□VA
	680	35×60	0.20	2.3	HPE681M35060□VA

*Aluminum electrolytic capacitor will emit heat when ripple current is applied, the performance will deteriorate when temp. rises. Please reduce the ripple current when using capacitor.

X-ON Electronics

Largest Supplier of Electrical and Electronic Components

Click to view similar products for [Aluminium Electrolytic Capacitors - Radial Leaded](#) category:

Click to view products by [Zeasset](#) manufacturer:

Other Similar products are found below :

[NRELS102M35V16X16C.140LLF](#) [ESRG160ETC100MD07D](#) [227RZS050M](#) [335CKR250M](#) [476CKH100MSA](#) [477CKR100M](#)
[107CKR010M](#) [107CKH063MSA](#) [RJH-25V222MI9#](#) [RJH-35V221MG5#](#) [B43827A1106M8](#) [RJH-50V221MH6#](#) [EKYA500ELL470MF11D](#)
[B41022A5686M6](#) [ESRG250ELL101MH09D](#) [EKMA160EC3101MF07D](#) [RJB-10V471MG3#](#) [ESMG160ETD221MF11D](#)
[EKZH160ETD152MJ20S](#) [RJH-35V122MJ6#](#) [EGXF630ELL621ML20S](#) [RBD-25V100KE3#N](#) [EKMA350ELL100ME07D](#)
[ESMG160ETD101ME11D](#) [ELXY100ETD102MJ20S](#) [EGXF500ELL561ML15S](#) [EKMG350ETD471MJ16S](#) [35YXA330MEFC10X12.5](#)
[RXW471M1ESA-0815](#) [ELXZ630ELL221MJ25S](#) [ERR1HM1R0D11OT](#) [LPE681M30060FVA](#) [LPL471M22030FVA](#) [HFE221M25030FVA](#)
[LKMD1401H221MF](#) [B41888G6108M000](#) [EKMA160ETD470MF07D](#) [UHW1J102MHD6](#) [EKMG500ETD221MJC5S](#) [LKMK2502W101MF](#)
[LKMD1401H181MF](#) [LKMI2502G820MF](#) [LKMJ2001J122MF](#) [LKML2501C472MF](#) [LKMJ4002C681MF](#) [450MXH330MEFCSN25X45](#)
[450MXK330MA2RFC22X50](#) [63ZLH560MEFCG412.5X30](#) [ELH2DM331O25KT](#) [ELH2DM471P30KT](#)