

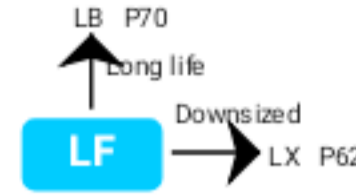
LF系列 SERIES

Standard

RoHS



- 85°C标准品
85°C Standard
- 保证85°C、2000小时寿命。(叠加纹波电流)
Endurance with ripple current: 2000 hours at 85°C
- 额定工作电压范围: 16V ~ 700V
Rated voltage range: 16V-700V



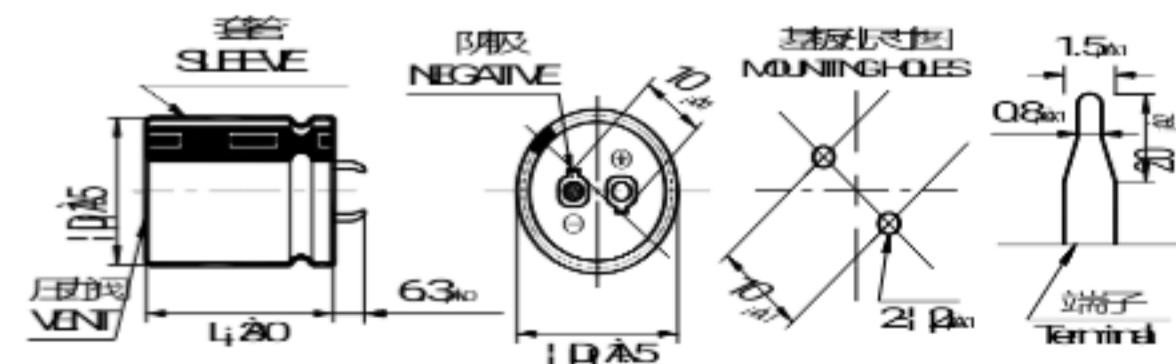
规格表 SPECIFICATIONS

项目 Items	特性 Characteristics																															
工作温度范围 Operating Temperature Range	- 40 ~ +85°C	- 25 ~ +85°C																														
额定工作电压范围 Rated Working Voltage Range	16 ~ 100V	160 ~ 700V																														
静电容量允许偏差 Capacitance Tolerance	±20% (20°C, 120Hz)																															
损耗角正切值 Dissipation Factor (MAX) 20°C, 120Hz	<table border="1"> <tr> <td>U_R(V)</td> <td>16</td> <td>25</td> <td>35</td> <td>50</td> <td>63</td> <td>80</td> <td>100</td> <td>160 ~ 315</td> <td>350 ~ 400</td> <td>450 ~ 700</td> </tr> <tr> <td>tanδ</td> <td>0.50</td> <td>0.45</td> <td>0.40</td> <td>0.35</td> <td>0.30</td> <td>0.25</td> <td>0.20</td> <td>0.15</td> <td>0.18</td> <td>0.20</td> </tr> </table>										U _R (V)	16	25	35	50	63	80	100	160 ~ 315	350 ~ 400	450 ~ 700	tanδ	0.50	0.45	0.40	0.35	0.30	0.25	0.20	0.15	0.18	0.20
U _R (V)	16	25	35	50	63	80	100	160 ~ 315	350 ~ 400	450 ~ 700																						
tanδ	0.50	0.45	0.40	0.35	0.30	0.25	0.20	0.15	0.18	0.20																						
阻抗比 Impedance Ratio (MAX) 120Hz	<table border="1"> <tr> <td>U_R(V)</td> <td>16 ~ 100</td> <td>160 ~ 200</td> <td>250</td> <td>315</td> <td>350 ~ 400</td> <td>450 ~ 700</td> </tr> <tr> <td>Z_{25°C}/Z_{+20°C}</td> <td>4</td> <td>3</td> <td>4</td> <td>7</td> <td>7</td> <td>8</td> </tr> <tr> <td>Z_{40°C}/Z_{+20°C}</td> <td>18</td> <td></td> <td></td> <td></td> <td></td> <td></td> </tr> </table>										U _R (V)	16 ~ 100	160 ~ 200	250	315	350 ~ 400	450 ~ 700	Z _{25°C} /Z _{+20°C}	4	3	4	7	7	8	Z _{40°C} /Z _{+20°C}	18						
U _R (V)	16 ~ 100	160 ~ 200	250	315	350 ~ 400	450 ~ 700																										
Z _{25°C} /Z _{+20°C}	4	3	4	7	7	8																										
Z _{40°C} /Z _{+20°C}	18																															
漏电流 Leakage Current (MAX)	I = 0.01 C _R U _R 或1.5mA取小者 (20°C, 施加额定电压5分钟后) I = 0.01 C _R U _R or 1.5mA whichever is minimum. (at 20°C, After 5 minutes application of rated voltage) I = 漏电流 (µA) U _R = 额定电压 (V) C _R = 静电容量 (µF) Leakage Current Rated Voltage Rated Capacitance																															

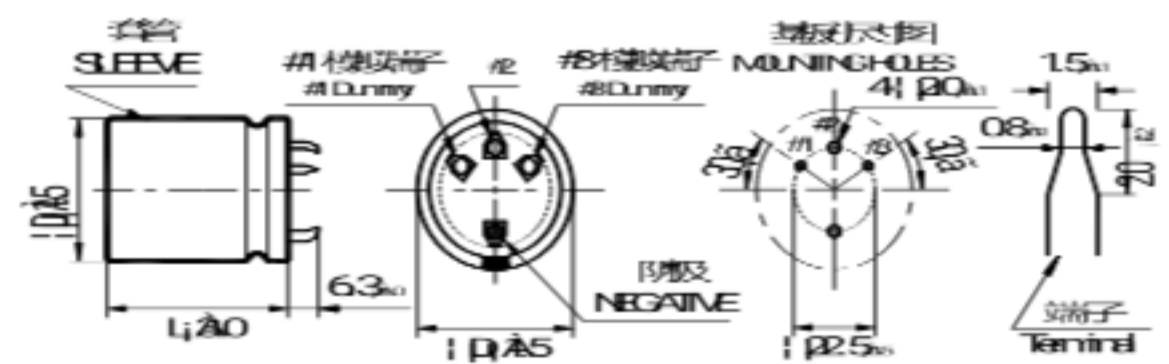
	使用寿命 Useful Life		负荷寿命 Load Life	耐久性特性 Endurance Test	高温无负荷特性 Shelf Life
产品寿命 Life Time	4000h	>65000h	2000h	2000h	1000h
漏电流 Leakage Current	≤规定值 ≤Specified value		≤规定值 ≤Specified value	≤规定值 ≤Specified value	≤规定值 ≤Specified value
损耗角正切值变化率 Tgδ Change	≤规定值的300% ≤300% of specified value		≤规定值的200% ≤200% of specified value	≤规定值的200% ≤200% of specified value	≤规定值的200% ≤200% of specified value
静电容量变化率 Capacitance Change	初始值±30%以内 Within±30% of initial value		初始值±20%以内 Within±20% of initial value	初始值±20%以内 Within±20% of initial value	初始值±20%以内 Within±20% of initial value
施加条件 Condition 施加电压 Applied Voltage 施加纹波电流 Applied Ripple Current 环境温度 Applied Temperature 失效率等级 Failure Rate Level	U _R I _R 85°C ≤1% Failure rate	U _R 1.2×I _R 40°C ≤1% Failure rate	U _R I _R 85°C 0%	U _R I _R =0 85°C 0%	U _R =0 I _R =0 85°C 0% Back up to 20°C and placed more than 24 hours. U _R to be applied for 60 min before measurement.

尺寸图 Dimensions

- 常用端子型式代码: Terminal Code



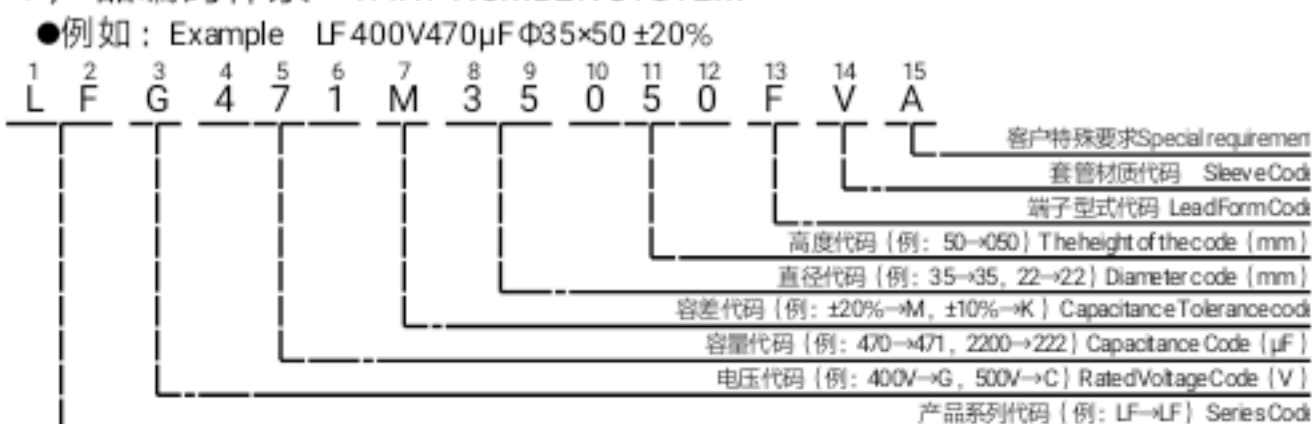
F-Type: Lock Terminal
J-Type: With short pin (4±1) Lock Terminal Unit:mm



Φ35 O-Type
P-Type: With short pin (4±1) Lock Terminal Unit:mm

- 记载以外的端子形状, 请另行咨询。Please consult to us for the terminal type not displayed in content.

产品编码体系 PART NUMBER SYSTEM



纹波电流修正系数 Rated Ripple Current Multiplies

● 频率修正系数 Frequency coefficient

电压范围 (v) Rated voltage	频率 (Hz) Frequency				
	50 (60)	100 (120)	300	1k	≥10k
16 ~ 50VV	0.90	1.00	1.05	1.10	1.15
63 ~ 100VV	0.85	1.00	1.17	1.32	1.45
160 ~ 700VV	0.80	1.00	1.16	1.30	1.41

● 温度修正系数 Temperature coefficient

电压范围 (v) Rated voltage	温度 (°C) Temperature			
	+40	+55	+70	+85
16 ~ 100VV	2.1	1.8	1.5	1.0
160 ~ 700VV	1.7	1.5	1.3	1.0

◆ 产品一览表 Standard Ratings

W _{DC} (Surge Voltage) (V)	Cap (μF)	Size D×L (mm)	tanδ 20°C/120Hz	Ripple Curr ent 85°C/120Hz (Arms)	Catalog Part Number	
16 (20)	8200	22×25	0.50	2.20	LPV822M22025□□VA	
	10000	22×30	0.50	2.60	LPV103M22030□□VA	
	10000	25×25	0.50	2.60	LPV103M25025□□VA	
	12000	22×35	0.50	2.90	LPV123M22035□□VA	
	15000	22×40	0.50	3.30	LPV153M22040□□VA	
	15000	25×30	0.50	3.30	LPV153M25030□□VA	
	15000	30×25	0.50	3.40	LPV153M30025□□VA	
	18000	22×45	0.50	3.80	LPV183M22045□□VA	
	18000	25×35	0.50	3.70	LPV183M25035□□VA	
	18000	30×30	0.50	4.00	LPV183M30030□□VA	
	22000	22×50	0.50	4.20	LPV223M22050□□VA	
	22000	25×40	0.50	4.20	LPV223M25040□□VA	
	22000	30×30	0.50	4.20	LPV223M30030□□VA	
	22000	35×25	0.50	4.40	LPV223M35025□□VA	
	27000	25×45	0.50	5.00	LPV273M25045□□VA	
	27000	30×35	0.50	5.00	LPV273M30035□□VA	
	27000	35×30	0.50	5.20	LPV273M35030□□VA	
	33000	30×40	0.50	5.60	LPV333M30040□□VA	
	33000	35×30	0.50	5.60	LPV333M35030□□VA	
	39000	30×45	0.50	6.20	LPV393M30045□□VA	
	39000	35×35	0.50	6.30	LPV393M35035□□VA	
	47000	30×50	0.50	7.00	LPV473M30050□□VA	
	47000	35×40	0.50	7.20	LPV473M35040□□VA	
	56000	30×60	0.50	8.20	LPV563M30060□□VA	
	56000	35×45	0.50	8.00	LPV563M35045□□VA	
	68000	35×60	0.50	9.60	LPV683M35060□□VA	
	25 (32)	5600	22×25	0.45	2.00	LFU562M22025□□VA
		6800	22×30	0.45	2.30	LFU682M22030□□VA
6800		25×25	0.45	2.30	LFU682M25025□□VA	
8200		22×35	0.45	2.60	LFU822M22035□□VA	
8200		25×30	0.45	2.60	LFU822M25030□□VA	
8200		30×25	0.45	2.60	LFU822M30025□□VA	
10000		22×40	0.45	2.90	LFU103M22040□□VA	
10000		25×30	0.45	2.80	LFU103M25030□□VA	
10000		30×25	0.45	3.00	LFU103M30025□□VA	
12000		22×45	0.45	3.30	LFU123M22045□□VA	
12000		25×35	0.45	3.20	LFU123M25035□□VA	
12000		30×30	0.45	3.40	LFU123M30030□□VA	
12000		35×25	0.45	3.30	LFU123M35025□□VA	
15000		22×50	0.45	3.70	LFU153M22050□□VA	
15000		25×40	0.45	3.70	LFU153M25040□□VA	
15000		30×35	0.45	3.70	LFU153M30035□□VA	
15000		35×25	0.45	3.90	LFU153M35025□□VA	
18000		25×50	0.45	4.30	LFU183M25050□□VA	
18000		30×35	0.45	4.20	LFU183M30035□□VA	
18000		35×30	0.45	4.40	LFU183M35030□□VA	
22000		30×40	0.45	4.80	LFU223M30040□□VA	
22000		35×35	0.45	5.00	LFU223M35035□□VA	
27000		30×50	0.45	5.70	LFU273M30050□□VA	
27000		35×40	0.45	5.70	LFU273M35040□□VA	
33000		30×60	0.45	6.40	LFU333M30060□□VA	
33000		35×40	0.45	6.50	LFU333M35040□□VA	
39000		35×45	0.45	7.50	LFU393M35045□□VA	
47000		35×45	0.45	8.20	LFU473M35045□□VA	
35 (44)	3300	22×25	0.40	1.80	LFT332M22025□□VA	
	3900	22×30	0.40	2.10	LFT392M22030□□VA	
	3900	25×25	0.40	2.10	LFT392M25025□□VA	
	4700	22×35	0.40	2.20	LFT472M22035□□VA	

W _{DC} (Surge Voltage) (V)	Cap (μF)	Size D×L (mm)	tanδ 20°C/120Hz	Ripple Curr ent 85°C/120Hz (Arms)	Catalog Part Number	
35 (44)	4700	25×25	0.40	2.20	LFT472M25025□□VA	
	5600	22×35	0.40	2.30	LFT562M22035□□VA	
	5600	25×30	0.40	2.30	LFT562M25030□□VA	
	5600	30×25	0.40	2.30	LFT562M30025□□VA	
	6800	22×40	0.40	2.90	LFT682M22040□□VA	
	6800	25×35	0.40	2.60	LFT682M25035□□VA	
	6800	30×25	0.40	2.70	LFT682M30025□□VA	
	8200	22×50	0.40	2.80	LFT822M22050□□VA	
	8200	25×40	0.40	2.80	LFT822M25040□□VA	
	8200	30×30	0.40	2.80	LFT822M30030□□VA	
	8200	35×25	0.40	2.90	LFT822M35025□□VA	
	10000	22×50	0.40	3.10	LFT103M22050□□VA	
	10000	25×45	0.40	3.10	LFT103M25045□□VA	
	10000	30×35	0.40	3.20	LFT103M30035□□VA	
	10000	35×25	0.40	3.10	LFT103M35025□□VA	
	12000	25×50	0.40	3.50	LFT123M25050□□VA	
	12000	30×40	0.40	3.50	LFT123M30040□□VA	
	12000	35×30	0.40	3.60	LFT123M35030□□VA	
	15000	25×50	0.40	4.10	LFT153M25050□□VA	
	15000	30×45	0.40	4.10	LFT153M30045□□VA	
	15000	35×35	0.40	4.10	LFT153M35035□□VA	
	18000	30×50	0.40	4.60	LFT183M30050□□VA	
	18000	35×40	0.40	4.70	LFT183M35040□□VA	
	22000	35×45	0.40	5.30	LFT223M35045□□VA	
	27000	35×50	0.40	7.00	LFT273M35050□□VA	
	33000	35×60	0.40	8.30	LFT333M35060□□VA	
	50 (63)	2200	22×25	0.35	1.70	LFR222M22025□□VA
		2700	22×30	0.35	1.90	LFR272M22030□□VA
		2700	25×25	0.35	1.90	LFR272M25025□□VA
		3300	22×35	0.35	2.00	LFR332M22035□□VA
		3300	25×30	0.35	2.00	LFR332M25030□□VA
		3300	30×25	0.35	2.00	LFR332M30025□□VA
		3900	22×35	0.35	2.10	LFR392M22035□□VA
		3900	25×30	0.35	2.10	LFR392M25030□□VA
		3900	30×25	0.35	2.10	LFR392M30025□□VA
4700		22×40	0.35	2.40	LFR472M22040□□VA	
4700		25×35	0.35	2.40	LFR472M25035□□VA	
4700		30×30	0.35	2.40	LFR472M30030□□VA	
4700		35×25	0.35	2.40	LFR472M35025□□VA	
5600		22×50	0.35	2.50	LFR562M22050□□VA	
5600		25×40	0.35	2.50	LFR562M25040□□VA	
5600		30×30	0.35	2.50	LFR562M30030□□VA	
5600		35×25	0.35	2.60	LFR562M35025□□VA	
6800		25×45	0.35	2.80	LFR682M25045□□VA	
6800		30×35	0.35	2.80	LFR682M30035□□VA	
6800		35×30	0.35	2.80	LFR682M35030□□VA	
8200		25×50	0.35	3.20	LFR822M25050□□VA	
8200		30×40	0.35	3.20	LFR822M30040□□VA	
8200		35×30	0.35	3.20	LFR822M35030□□VA	
10000		30×45	0.35	3.40	LFR103M30045□□VA	
10000		35×35	0.35	3.40	LFR103M35035□□VA	
12000		30×50	0.35	3.80	LFR123M30050□□VA	
12000		35×40	0.35	3.80	LFR123M35040□□VA	
15000		30×60	0.35	4.50	LFR153M30060□□VA	
15000		35×45	0.35	4.50	LFR153M35045□□VA	
18000		35×50	0.35	4.50	LFR183M35050□□VA	
22000		35×60	0.35	5.40	LFR223M35060□□VA	

*产品编码中□内为产品端子引出型式代码
*□Enter the appropriate terminal code

LF 系列 SERIES

◆ 产品一览表 Standard Ratings

WV _{DC} (Surge Voltage) (V)	Cap (μF)	Size D×L (mm)	tanδ 20°C/120Hz	Ripple Curr ent 85°C/120Hz (Arms)	Catalog Part Number
63 (79)	1500	22×25	0.30	1.60	LFQ152M22025□□VA
	1800	22×30	0.30	1.80	LFQ182M22030□□VA
	1800	25×25	0.30	1.80	LFQ182M25025□□VA
	2200	22×30	0.30	2.00	LFQ222M22030□□VA
	2200	25×25	0.30	2.00	LFQ222M25025□□VA
	2700	22×35	0.30	2.20	LFQ272M22035□□VA
	2700	25×30	0.30	2.30	LFQ272M25030□□VA
	2700	30×25	0.30	2.30	LFQ272M30025□□VA
	3300	22×40	0.30	2.30	LFQ332M22040□□VA
	3300	25×35	0.30	2.30	LFQ332M25035□□VA
	3300	30×25	0.30	2.30	LFQ332M30025□□VA
	3900	22×45	0.30	2.50	LFQ392M22045□□VA
	3900	25×40	0.30	2.60	LFQ392M25040□□VA
	3900	30×30	0.30	2.60	LFQ392M30030□□VA
	3900	35×25	0.30	2.60	LFQ392M35025□□VA
	4700	22×50	0.30	2.70	LFQ472M22050□□VA
	4700	25×40	0.30	2.70	LFQ472M25040□□VA
	4700	30×30	0.30	2.70	LFQ472M30030□□VA
	4700	35×25	0.30	2.70	LFQ472M35025□□VA
	5600	25×45	0.30	3.10	LFQ562M25045□□VA
	5600	30×35	0.30	3.20	LFQ562M30035□□VA
	5600	35×30	0.30	3.30	LFQ562M35030□□VA
	6800	30×40	0.30	3.60	LFQ682M30040□□VA
	6800	35×35	0.30	3.70	LFQ682M35035□□VA
	8200	30×50	0.30	3.70	LFQ822M30050□□VA
	8200	35×40	0.30	3.80	LFQ822M35040□□VA
	10000	30×50	0.30	4.30	LFQ103M30050□□VA
	10000	35×40	0.30	4.30	LFQ103M35040□□VA
12000	35×50	0.30	4.80	LFQ123M35050□□VA	
15000	35×60	0.30	5.80	LFQ153M35060□□VA	
80 (100)	1000	22×25	0.25	1.30	LFP102M22025□□VA
	1200	22×30	0.25	1.50	LFP122M22030□□VA
	1500	22×30	0.25	1.70	LFP152M22030□□VA
	1500	25×25	0.25	1.70	LFP152M25025□□VA
	1800	22×35	0.25	1.90	LFP182M22035□□VA
	1800	25×30	0.25	1.90	LFP182M25030□□VA
	1800	30×25	0.25	1.90	LFP182M30025□□VA
	2200	22×40	0.25	2.10	LFP222M22040□□VA
	2200	25×35	0.25	2.20	LFP222M25035□□VA
	2200	30×25	0.25	2.20	LFP222M30025□□VA
	2700	22×50	0.25	2.50	LFP272M22050□□VA
	2700	25×40	0.25	2.50	LFP272M25040□□VA
	2700	30×30	0.25	2.50	LFP272M30030□□VA
	2700	35×25	0.25	2.50	LFP272M35025□□VA
	3300	25×45	0.25	2.80	LFP332M25045□□VA
	3300	30×35	0.25	2.80	LFP332M30035□□VA
	3300	35×30	0.25	2.80	LFP332M35030□□VA
	3900	25×50	0.25	3.10	LFP392M25050□□VA
	3900	30×40	0.25	3.20	LFP392M30040□□VA
	3900	35×30	0.25	3.20	LFP392M35030□□VA
	4700	30×45	0.25	3.60	LFP472M30045□□VA
	4700	35×35	0.25	3.60	LFP472M35035□□VA
	5600	30×50	0.25	3.90	LFP562M30050□□VA
	5600	35×40	0.25	3.90	LFP562M35040□□VA
	6800	30×50	0.25	4.00	LFP682M30050□□VA
	6800	35×45	0.25	4.00	LFP682M35045□□VA
	8200	35×50	0.25	4.50	LFP682M35050□□VA
	10000	35×60	0.25	5.30	LFP103M35060□□VA

WV _{DC} (Surge Voltage) (V)	Cap (μF)	Size D×L (mm)	tanδ 20°C/120Hz	Ripple Curr ent 85°C/120Hz (Arms)	Catalog Part Number
100 (125)	680	22×25	0.20	1.10	LF0681M22025□□VA
	820	22×30	0.20	1.20	LF0821M22030□□VA
	820	25×25	0.20	1.20	LF0821M25025□□VA
	1000	22×35	0.20	1.30	LF0102M22035□□VA
	1000	25×30	0.20	1.40	LF0102M25030□□VA
	1000	30×25	0.20	1.40	LF0102M30025□□VA
	1200	22×40	0.20	1.60	LF0122M22040□□VA
	1200	25×30	0.20	1.60	LF0122M25030□□VA
	1200	30×25	0.20	1.70	LF0122M30025□□VA
	1500	22×45	0.20	1.80	LF0152M22045□□VA
	1500	25×35	0.20	1.70	LF0152M25035□□VA
	1500	30×30	0.20	1.80	LF0152M30030□□VA
	1500	35×25	0.20	1.90	LF0152M35025□□VA
	1800	22×50	0.20	2.10	LF0182M22050□□VA
	1800	25×40	0.20	2.00	LF0182M25040□□VA
	1800	30×30	0.20	2.10	LF0182M30030□□VA
	1800	35×25	0.20	2.20	LF0182M35025□□VA
	2200	25×45	0.20	2.20	LF0222M25045□□VA
	2200	30×35	0.20	2.30	LF0222M30035□□VA
	2200	35×30	0.20	2.50	LF0222M35030□□VA
	2700	25×50	0.20	2.60	LF0272M25050□□VA
	2700	30×40	0.20	2.70	LF0272M30040□□VA
	2700	35×35	0.20	2.80	LF0272M35035□□VA
	3300	30×50	0.20	3.00	LF0332M30050□□VA
	3300	35×35	0.20	3.10	LF0332M35035□□VA
	3900	30×50	0.20	3.40	LF0392M30050□□VA
	3900	35×40	0.20	3.40	LF0392M35040□□VA
	4700	30×60	0.20	3.90	LF0472M30060□□VA
	4700	35×50	0.20	4.00	LF0472M35050□□VA
	5600	35×50	0.20	4.30	LF0562M35050□□VA
	6800	35×60	0.20	5.20	LF0682M35060□□VA
	160 (200)	270	22×25	0.15	1.20
330		22×30	0.15	1.30	LFN331M22030□□VA
330		25×25	0.15	1.30	LFN331M25025□□VA
390		22×35	0.15	1.50	LFN391M22035□□VA
390		25×30	0.15	1.50	LFN391M25030□□VA
390		30×25	0.15	1.50	LFN391M30025□□VA
470		22×40	0.15	1.60	LFN471M22040□□VA
470		25×30	0.15	1.60	LFN471M25030□□VA
470		30×25	0.15	1.60	LFN471M30025□□VA
560		22×40	0.15	1.90	LFN561M22040□□VA
560		25×35	0.15	1.90	LFN561M25035□□VA
560		30×30	0.15	1.90	LFN561M30030□□VA
560		35×25	0.15	1.90	LFN561M35025□□VA
680		22×45	0.15	2.10	LFN681M22045□□VA
680		25×40	0.15	2.10	LFN681M25040□□VA
680		30×30	0.15	2.10	LFN681M30030□□VA
680		35×25	0.15	2.10	LFN681M35025□□VA
820		22×50	0.15	2.50	LFN821M22050□□VA
820		25×45	0.15	2.40	LFN821M25045□□VA
820		30×35	0.15	2.50	LFN821M30035□□VA
820		35×25	0.15	2.40	LFN821M35025□□VA
1000		25×50	0.15	2.80	LFN102M25050□□VA
1000		30×40	0.15	2.80	LFN102M30040□□VA
1000		35×30	0.15	2.80	LFN102M35030□□VA
1200		25×50	0.15	3.10	LFN122M25050□□VA
1200		30×45	0.15	3.20	LFN122M30045□□VA
1200		35×35	0.15	3.00	LFN122M35035□□VA

*产品编码中□内为产品端子引出型式代码
*□ Enter the appropriate terminal code

LF 系列 SERIES

◆ 产品一览表 Standard Ratings

W _{DC} (Surge Voltage) (V)	Cap (μ F)	Size D×L (mm)	tan δ 20°C120Hz	Ripple Curr ent 85°C120Hz (Arms)	Catalog Part Number	
160 (200)	1500	30×50	0.15	3.70	LFN152M30050□VA	
	1500	35×40	0.15	3.60	LFN152M35040□VA	
	1800	30×60	0.15	4.30	LFN182M30060□VA	
	1800	35×45	0.15	3.90	LFN182M35045□VA	
	2200	35×50	0.15	4.50	LFN222M35050□VA	
	2700	35×60	0.15	5.20	LFN272M35060□VA	
	3900	35×80	0.15	5.80	LFN392M35080□VA	
	4700	40×80	0.15	7.10	LFN472M40080□VA	
	5600	40×90	0.15	8.10	LFN562M40090□VA	
200 (250)	220	22×25	0.15	1.10	LFL221M22025□VA	
	270	22×30	0.15	1.20	LFL271M22030□VA	
	270	25×25	0.15	1.30	LFL271M25025□VA	
	330	22×30	0.15	1.40	LFL331M22030□VA	
	330	25×25	0.15	1.40	LFL331M25025□VA	
	390	22×35	0.15	1.50	LFL391M22035□VA	
	390	25×30	0.15	1.60	LFL391M25030□VA	
	390	30×25	0.15	1.50	LFL391M30025□VA	
	470	22×40	0.15	1.80	LFL471M22040□VA	
	470	25×35	0.15	1.80	LFL471M25035□VA	
	470	30×25	0.15	1.90	LFL471M30025□VA	
	560	22×45	0.15	2.00	LFL561M22045□VA	
	560	25×35	0.15	2.00	LFL561M25035□VA	
	560	30×30	0.15	2.10	LFL561M30030□VA	
	560	35×25	0.15	2.00	LFL561M35025□VA	
	680	22×50	0.15	2.20	LFL681M22050□VA	
	680	25×40	0.15	2.30	LFL681M25040□VA	
	680	30×35	0.15	2.40	LFL681M30035□VA	
	680	35×25	0.15	2.40	LFL681M35025□VA	
	820	25×50	0.15	2.60	LFL821M25050□VA	
	820	30×40	0.15	2.70	LFL821M30040□VA	
	820	35×30	0.15	2.50	LFL821M35030□VA	
	1000	25×50	0.15	2.80	LFL102M25050□VA	
	1000	30×45	0.15	2.84	LFL102M30045□VA	
	1000	35×40	0.15	2.96	LFL102M35040□VA	
	1200	25×60	0.15	3.40	LFL122M25060□VA	
	1200	30×50	0.15	3.40	LFL122M30050□VA	
	1200	35×40	0.15	3.20	LFL122M35040□VA	
	1500	30×50	0.15	3.80	LFL152M30050□VA	
	1500	35×40	0.15	3.60	LFL152M35040□VA	
	1800	30×60	0.15	4.50	LFL182M30060□VA	
	1800	35×45	0.15	4.10	LFL182M35045□VA	
	2200	35×50	0.15	4.70	LFL222M35050□VA	
	2700	35×60	0.15	5.00	LFL272M35060□VA	
	2700	40×60	0.15	5.40	LFL272M40060□VA	
	3300	35×80	0.15	6.00	LFL332M35080□VA	
	3300	40×60	0.15	5.90	LFL332M40060□VA	
	3900	40×80	0.15	7.00	LFL392M40080□VA	
	4700	40×90	0.15	8.40	LFL472M40090□VA	
	250 (300)	150	22×25	0.15	0.90	LFJ151M22025□VA
		180	22×30	0.15	0.90	LFJ181M22030□VA
		180	25×25	0.15	1.01	LFJ181M25025□VA
220		22×35	0.15	1.10	LFJ221M22035□VA	
220		25×30	0.15	1.19	LFJ221M25030□VA	
270		22×40	0.15	1.28	LFJ271M22040□VA	
270		25×30	0.15	1.32	LFJ271M25030□VA	
270		30×25	0.15	1.35	LFJ271M30025□VA	
330		22×45	0.15	1.50	LFJ331M22045□VA	
330		25×35	0.15	1.56	LFJ331M25035□VA	

W _{DC} (Surge Voltage) (V)	Cap (μ F)	Size D×L (mm)	tan δ 20°C120Hz	Ripple Curr ent 85°C120Hz (Arms)	Catalog Part Number	
250 (300)	330	30×30	0.15	1.60	LFJ331M30030□VA	
	330	35×25	0.15	1.62	LFJ331M35025□VA	
	390	22×50	0.15	1.60	LFJ391M22050□VA	
	390	25×40	0.15	1.69	LFJ391M25040□VA	
	390	30×30	0.15	1.73	LFJ391M30030□VA	
	390	35×25	0.15	1.77	LFJ391M35025□VA	
	470	25×45	0.15	1.96	LFJ471M25045□VA	
	470	30×35	0.15	2.02	LFJ471M30035□VA	
	470	35×25	0.15	2.06	LFJ471M35025□VA	
	560	30×40	0.15	2.20	LFJ561M30040□VA	
	560	35×30	0.15	2.25	LFJ561M35030□VA	
	680	30×40	0.15	2.30	LFJ681M30040□VA	
	680	35×30	0.15	2.60	LFJ681M35030□VA	
	820	30×50	0.15	2.95	LFJ821M30050□VA	
	820	35×40	0.15	3.03	LFJ821M35040□VA	
	1000	30×50	0.15	3.00	LFJ102M30050□VA	
	1000	35×45	0.15	3.15	LFJ102M35045□VA	
	1200	35×50	0.15	3.60	LFJ122M35050□VA	
	1500	35×50	0.15	4.00	LFJ152M35050□VA	
	1800	35×60	0.15	4.70	LFJ182M35060□VA	
	2200	35×70	0.15	5.20	LFJ222M35070□VA	
	2700	40×80	0.15	6.50	LFJ272M40080□VA	
	3300	40×90	0.15	7.70	LFJ332M40090□VA	
	3900	40×100	0.15	8.40	LFJ392M40100□VA	
	3900	45×80	0.15	8.30	LFJ392M45080□VA	
	4700	45×100	0.15	9.60	LFJ472M45100□VA	
	4700	50×80	0.15	9.20	LFJ472M50080□VA	
	315 (365)	100	22×25	0.15	0.68	LH101M22025□VA
		120	22×30	0.15	0.82	LH121M22030□VA
		150	22×30	0.15	0.86	LH151M22030□VA
150		25×25	0.15	0.89	LH151M25025□VA	
180		22×35	0.15	0.96	LH181M22035□VA	
180		25×30	0.15	0.98	LH181M25030□VA	
180		30×25	0.15	1.00	LH181M30025□VA	
220		22×40	0.15	1.12	LH221M22040□VA	
220		25×35	0.15	1.15	LH221M25035□VA	
220		30×25	0.15	1.18	LH221M30025□VA	
270		22×45	0.15	1.30	LH271M22045□VA	
270		25×40	0.15	1.40	LH271M25040□VA	
270		30×30	0.15	1.45	LH271M30030□VA	
270		35×25	0.15	1.49	LH271M35025□VA	
330		25×45	0.15	1.52	LH331M25045□VA	
330		30×35	0.15	1.55	LH331M30035□VA	
330		35×30	0.15	1.58	LH331M35030□VA	
390		25×50	0.15	1.63	LH391M25050□VA	
390		30×40	0.15	1.66	LH391M30040□VA	
390		35×30	0.15	1.69	LH391M35030□VA	
470		30×45	0.15	1.95	LH471M30045□VA	
470		35×35	0.15	1.99	LH471M35035□VA	
560		30×50	0.15	2.13	LH561M30050□VA	
560		35×40	0.15	2.16	LH561M35040□VA	
680		30×60	0.15	2.55	LH681M30060□VA	
680		35×45	0.15	2.40	LH681M35045□VA	
820		35×50	0.15	2.70	LH821M35050□VA	
1000		35×60	0.15	3.30	LH102M35060□VA	
1200		35×60	0.15	3.60	LH122M35060□VA	
1500		35×70	0.15	4.40	LH152M35070□VA	
1800	35×80	0.15	5.15	LH182M35080□VA		

*产品编码中□内为产品端子引出型式代码

* Enter the appropriate terminal code

LF 系列 SERIES

◆ 产品一览表 Standard Ratings

W _{VDC} (Surge Voltage) (V)	Cap (μF)	Size D×L (mm)	tanδ 20°C/120Hz	Ripple Curr ent 85°C/120Hz (Arms)	Catalog Part Number	W _{VDC} (Surge Voltage) (V)	Cap (μF)	Size D×L (mm)	tanδ 20°C/120Hz	Ripple Curr ent 85°C/120Hz (Arms)	Catalog Part Number
315 (365)	2200	35×100	0.15	6.00	LH222M35100□VA	400 (450)	220	22×45	0.18	1.19	LFG221M22045□VA
	2200	40×80	0.15	5.80	LH222M40080□VA		220	25×40	0.18	1.33	LFG221M25040□VA
	2700	45×80	0.15	6.90	LH272M45080□VA		220	30×35	0.18	1.40	LFG221M30035□VA
	3300	45×90	0.15	8.10	LH332M45090□VA		270	25×45	0.18	1.45	LFG271M25045□VA
	3300	50×80	0.15	8.20	LH332M50080□VA		270	30×40	0.18	1.61	LFG271M30040□VA
350 (400)	82	22×25	0.18	0.64	LH820M22025□VA		270	35×30	0.18	1.65	LFG271M35030□VA
	100	22×25	0.18	0.80	LH101M22025□VA		330	22×50	0.18	1.76	LFG331M22050□VA
	120	22×30	0.18	0.85	LH121M22030□VA		330	30×40	0.18	1.87	LFG331M30040□VA
	120	25×25	0.18	0.83	LH121M25025□VA		330	35×30	0.18	1.83	LFG331M35030□VA
	150	22×35	0.18	0.95	LH151M22035□VA		390	30×50	0.18	1.95	LFG391M30050□VA
	150	25×30	0.18	0.98	LH151M25030□VA		470	25×50	0.18	2.12	LFG471M25050□VA
	150	30×25	0.18	0.96	LH151M30025□VA		470	30×45	0.18	2.25	LFG471M30045□VA
	180	22×40	0.18	1.12	LH181M22040□VA		470	30×50	0.18	2.35	LFG471M30050□VA
	180	25×30	0.18	1.15	LH181M25030□VA		470	35×40	0.18	2.35	LFG471M35040□VA
	180	30×25	0.18	1.13	LH181M30025□VA		470	35×50	0.18	2.57	LFG471M35050□VA
	220	22×45	0.18	1.30	LH221M22045□VA		560	30×50	0.18	2.40	LFG561M30050□VA
	220	25×35	0.18	1.35	LH221M25035□VA		560	30×60	0.18	2.60	LFG561M30060□VA
	220	30×30	0.18	1.33	LH221M30030□VA		560	35×40	0.18	2.39	LFG561M35040□VA
	220	35×25	0.18	1.31	LH221M35025□VA		560	35×45	0.18	2.51	LFG561M35045□VA
	270	22×50	0.18	1.50	LH271M22050□VA		560	35×50	0.18	2.58	LFG561M35050□VA
	270	25×45	0.18	1.64	LH271M25045□VA		680	30×50	0.18	2.64	LFG681M30050□VA
	270	30×35	0.18	1.65	LH271M30035□VA		680	30×60	0.18	2.86	LFG681M30060□VA
	270	35×25	0.18	1.61	LH271M35025□VA		680	35×40	0.18	2.62	LFG681M35040□VA
	330	25×50	0.18	1.75	LH331M25050□VA		680	35×45	0.18	2.75	LFG681M35045□VA
	330	30×40	0.18	1.73	LH331M30040□VA		680	35×50	0.18	2.88	LFG681M35050□VA
	330	35×30	0.18	1.70	LH331M35030□VA		820	35×60	0.18	3.24	LFG821M35060□VA
	390	30×45	0.18	1.90	LH391M30045□VA		1000	35×50	0.18	3.31	LFG102M35050□VA
	390	35×35	0.18	1.92	LH391M35035□VA		1000	35×60	0.18	3.58	LFG102M35060□VA
	470	30×50	0.18	2.12	LH471M30050□VA		1000	35×70	0.18	3.83	LFG102M35070□VA
	470	35×40	0.18	2.10	LH471M35040□VA		1200	35×70	0.18	4.42	LFG122M35070□VA
	560	30×50	0.18	2.43	LH561M30050□VA		1500	40×80	0.18	5.80	LFG152M40080□VA
	560	35×45	0.18	2.40	LH561M35045□VA		1500	45×70	0.18	5.85	LFG152M45070□VA
	680	30×60	0.18	2.73	LH681M30060□VA		1500	45×80	0.18	6.20	LFG152M45080□VA
	680	35×50	0.18	2.70	LH681M35050□VA		1800	40×90	0.18	6.50	LFG182M40090□VA
	820	35×60	0.18	3.06	LH821M35060□VA		1800	45×80	0.18	6.60	LFG182M45080□VA
	1000	35×60	0.18	3.37	LH102M35060□VA	2200	45×90	0.18	7.70	LFG222M45090□VA	
	1200	40×70	0.18	4.52	LH122M40070□VA	2200	50×80	0.18	7.80	LFG222M50080□VA	
	1500	40×80	0.18	5.20	LH152M40080□VA	2700	50×100	0.18	9.50	LFG272M50100□VA	
	1500	45×70	0.18	5.20	LH152M45070□VA	3300	50×110	0.18	10.7	LFG332M50110□VA	
	1800	40×100	0.18	6.30	LH182M40100□VA	450 (500)	47	22×25	0.20	0.52	LFE470M22025□VA
	1800	45×70	0.18	5.80	LH182M45070□VA		56	22×25	0.20	0.55	LFE560M22025□VA
	2200	40×100	0.18	7.00	LH222M40100□VA		68	22×30	0.20	0.57	LFE680M22030□VA
	2700	45×90	0.18	7.80	LH272M45090□VA		68	25×25	0.20	0.57	LFE680M25025□VA
	3300	45×105	0.18	9.53	LH332M45105□VA		82	22×30	0.20	0.65	LFE820M22030□VA
	3300	50×90	0.18	9.50	LH332M50090□VA		82	25×25	0.20	0.65	LFE820M25025□VA
	47	22×25	0.18	0.50	LFG470M22025□VA		100	22×35	0.20	0.72	LFE101M22035□VA
	56	22×25	0.18	0.52	LFG560M22025□VA		100	25×30	0.20	0.73	LFE101M25030□VA
	68	22×25	0.18	0.56	LFG680M22025□VA		100	22×30	0.20	0.67	LFE101M22030□VA
	82	22×25	0.18	0.66	LFG820M22025□VA		120	22×40	0.20	0.80	LFE121M22040□VA
	100	22×30	0.18	0.78	LFG101M22030□VA		120	25×30	0.20	0.83	LFE121M25030□VA
100	25×25	0.18	0.75	LFG101M25025□VA	150		22×45	0.20	0.95	LFE151M22045□VA	
120	22×35	0.18	0.83	LFG121M22035□VA	150		25×35	0.20	0.95	LFE151M25035□VA	
120	25×30	0.18	0.85	LFG121M25030□VA	180		22×50	0.20	1.10	LFE181M22050□VA	
150	22×40	0.18	0.95	LFG151M22040□VA	180		25×40	0.20	1.12	LFE181M25040□VA	
150	25×30	0.18	0.98	LFG151M25030□VA	180		30×30	0.20	1.13	LFE181M30030□VA	
180	22×45	0.18	1.10	LFG181M22045□VA	220		25×50	0.20	1.20	LFE221M25050□VA	
180	25×35	0.18	1.15	LFG181M25035□VA	220		30×35	0.20	1.30	LFE221M30035□VA	
220	22×40	0.18	1.13	LFG221M22040□VA	220		35×30	0.20	1.30	LFE221M35030□VA	

	220	30×40	0.20	1.37	LFE221M30040□VA
	270	30×40	0.20	1.40	LFE271M30040□VA

*产品编码中□内为产品端子引出型式代码
*□Enter the appropriate terminal code

LF 系列 SERIES

◆ 产品一览表 Standard Ratings

WV _{DC} (Surge Voltage) (V)	Cap (μF)	Size D×L (mm)	tanδ 20°C/120Hz	Ripple Curr ent 85°C/120Hz (Arms)	Catalog Part Number	WV _{DC} (Surge Voltage) (V)	Cap (μF)	Size D×L (mm)	tanδ 20°C/120Hz	Ripple Curr ent 85°C/120Hz (Arms)	Catalog Part Number
450 (500)	270	35×35	0.20	1.50	LFE271M35035□VA	550 (600)	2200	50×105	0.20	7.80	LFC222M50105□VA
	330	30×45	0.20	1.60	LFE331M30045□VA		180	30×45	0.20	1.20	LFZ181M30045□VA
	330	35×35	0.20	1.70	LFE331M35035□VA		220	30×50	0.20	1.30	LFZ221M30050□VA
	390	30×50	0.20	1.85	LFE391M30050□VA		270	30×60	0.20	1.60	LFZ271M30060□VA
	390	35×40	0.20	1.90	LFE391M35040□VA		270	35×45	0.20	1.60	LFZ271M35045□VA
	470	30×60	0.20	2.37	LFE471M30060□VA		330	30×70	0.20	1.90	LFZ331M30070□VA
	470	35×50	0.20	2.39	LFE471M35050□VA		330	35×50	0.20	1.80	LFZ331M35050□VA
	560	35×50	0.20	2.61	LFE561M35050□VA		390	30×80	0.20	2.20	LFZ391M30080□VA
	680	35×60	0.20	3.11	LFE681M35060□VA		390	35×60	0.20	2.10	LFZ391M35060□VA
	820	35×70	0.20	3.60	LFE821M35070□VA		470	35×70	0.20	2.50	LFZ471M35070□VA
	1000	35×80	0.20	4.29	LFE102M35080□VA		470	40×60	0.20	2.50	LFZ471M40060□VA
	1200	35×80	0.20	4.82	LFE122M35080□VA		560	35×80	0.20	2.90	LFZ561M35080□VA
	1200	40×70	0.20	4.90	LFE122M40070□VA		560	40×70	0.20	2.90	LFZ561M40070□VA
	1500	40×90	0.20	6.20	LFE152M40090□VA		680	35×95	0.20	3.40	LFZ681M35095□VA
	1500	45×80	0.20	6.30	LFE152M45080□VA		680	40×80	0.20	3.40	LFZ681M40080□VA
	1800	45×90	0.20	7.20	LFE182M45090□VA		820	40×100	0.20	4.10	LFZ821M40100□VA
	1800	50×75	0.20	7.10	LFE182M50075□VA		820	45×75	0.20	3.90	LFZ821M45075□VA
	2200	50×85	0.20	8.50	LFE222M50085□VA		1000	45×90	0.20	4.60	LFZ102M45090□VA
	2200	45×105	0.20	8.80	LFE222M45105□VA		1000	50×75	0.20	4.60	LFZ102M50075□VA
	2700	50×105	0.20	10.4	LFE272M50105□VA		1200	45×105	0.20	5.30	LFZ122M45105□VA
500 (550)	47	22×25	0.20	0.50	LFC470M22025□VA	1200	50×85	0.20	5.20	LFZ122M50085□VA	
	56	22×30	0.20	0.60	LFC560M22030□VA	1500	50×100	0.20	6.00	LFZ152M50100□VA	
	68	22×35	0.20	0.70	LFC680M22035□VA	600 (650)	150	30×45	0.20	1.00	LFB151M30045□VA
	68	25×25	0.20	0.70	LFC680M25025□VA		180	30×50	0.20	1.20	LFB181M30050□VA
	82	22×40	0.20	0.80	LFC820M22040□VA		220	30×60	0.20	1.40	LFB221M30060□VA
	82	25×30	0.20	0.80	LFC820M25030□VA		270	30×70	0.20	1.60	LFB271M30070□VA
	100	22×45	0.20	0.90	LFC101M22045□VA		330	35×60	0.20	1.80	LFB331M35060□VA
	100	25×35	0.20	0.90	LFC101M25035□VA		330	40×50	0.20	1.80	LFB331M40050□VA
	100	30×25	0.20	0.90	LFC101M30025□VA		390	35×70	0.20	2.20	LFB391M35070□VA
	120	22×50	0.20	1.00	LFC121M22050□VA		390	40×60	0.20	2.20	LFB391M40060□VA
	120	25×40	0.20	1.00	LFC121M25040□VA		470	35×80	0.20	2.50	LFB471M35080□VA
	120	30×30	0.20	1.00	LFC121M30030□VA		470	40×70	0.20	2.50	LFB471M40070□VA
	120	35×25	0.20	1.00	LFC121M35025□VA		560	35×90	0.20	2.90	LFB561M35090□VA
	150	25×45	0.20	1.20	LFC151M25045□VA		560	40×80	0.20	2.90	LFB561M40080□VA
	150	30×35	0.20	1.20	LFC151M30035□VA		680	40×90	0.20	3.40	LFB681M40090□VA
	150	35×25	0.20	1.20	LFC151M35025□VA		680	45×70	0.20	3.30	LFB681M45070□VA
	180	25×50	0.20	1.40	LFC181M25050□VA		820	45×85	0.20	3.90	LFB821M45085□VA
	180	30×40	0.20	1.40	LFC181M30040□VA		820	50×70	0.20	4.10	LFB821M50070□VA
	180	35×30	0.20	1.40	LFC181M35030□VA		1000	45×100	0.20	4.60	LFB102M45100□VA
	220	30×45	0.20	1.60	LFC221M30045□VA		1000	50×80	0.20	4.50	LFB102M50080□VA
	220	35×35	0.20	1.60	LFC221M35035□VA		1200	50×95	0.20	5.30	LFB122M50095□VA
	270	30×50	0.20	1.60	LFC271M30050□VA		650 (700)	150	30×45	0.20	1.00
	270	35×40	0.20	1.60	LFC271M35040□VA	180		30×50	0.20	1.20	LFA181M30050□VA
	330	30×60	0.20	2.00	LFC331M30060□VA	220		30×60	0.20	1.40	LFA221M30060□VA
	330	35×45	0.20	2.00	LFC331M35045□VA	270		30×70	0.20	1.60	LFA271M30070□VA
	390	35×50	0.20	2.30	LFC391M35050□VA	270		35×50	0.20	1.50	LFA271M35050□VA
	470	35×60	0.20	2.50	LFC471M35060□VA	330		30×85	0.20	1.90	LFA331M30085□VA
	470	35×50	0.20	2.31	LFC471M35050□VA	330		40×50	0.20	1.80	LFA331M40050□VA
	560	35×60	0.20	2.60	LFC561M35060□VA	390		40×60	0.20	2.10	LFA391M40060□VA
	560	40×60	0.20	2.80	LFC561M40060□VA	470		40×70	0.20	2.40	LFA471M40070□VA
	680	35×80	0.20	3.40	LFC681M35080□VA	470		45×55	0.20	2.40	LFA471M45055□VA
	680	40×70	0.20	3.50	LFC681M40070□VA	560		40×80	0.20	2.80	LFA561M40080□VA
	820	35×90	0.20	3.90	LFC821M35090□VA	560		45×65	0.20	2.80	LFA561M45065□VA
	820	40×70	0.20	3.80	LFC821M40070□VA	680		40×95	0.20	3.40	LFA681M40095□VA
	1000	40×80	0.20	4.40	LFC102M40080□VA	680		45×75	0.20	3.20	LFA681M45075□VA
	1000	45×70	0.20	4.20	LFC102M45070□VA	820		45×90	0.20	3.80	LFA821M45090□VA

1200	40×90	0.20	4.90	LF0122M40090□□VA
1200	45×80	0.20	5.00	LF0122M45080□□VA
1500	45×100	0.20	6.30	LF0152M45100□□VA
1500	50×80	0.20	6.00	LF0152M50080□□VA
1800	50×90	0.20	6.70	LF0182M50090□□VA

820	50×75	0.20	3.80	LFA821M50075□□VA
1000	45×105	0.20	4.50	LFA102M45105□□VA
1000	50×85	0.20	4.40	LFA102M50085□□VA
1200	50×105	0.20	5.20	LFA122M50105□□VA

产品编码中□内为产品端子引出型式代码□Enter the appropriate terminal code

LF 系列 SERIES

◆ 产品一览表 Standard Ratings

WV _{dc} (Surge Voltage) (V)	Cap (μF)	Size D×L (mm)	tanδ 20°C/120Hz	Ripple Current 85°C/120Hz (Arms)	Catalog Part Number
700 (750)	180	35×45	0.20	1.20	LF5181M35045□□VA
	220	35×50	0.20	1.40	LF5221M35050□□VA
	270	35×60	0.20	1.54	LF5271M35060□□VA
	330	35×70	0.20	1.92	LF5331M35070□□VA
	470	35×80	0.20	2.28	LF5471M35080□□VA
	560	40×100	0.20	3.20	LF5561M40100□□VA

*产品编码中□内为产品端子引出型式代码
*□Enter the appropriate terminal code

*记载之外的体积，请另行咨询。
*Please ask for advice for other sizes.

*铝电解电容器由于承受纹波电流而发热，随着升温而发生性能劣化。请在使用中降低产品承受的纹波电流。
*Aluminum electrolytic capacitor will emit heat when ripple current is applied, the performance will deteriorate when temp. rises. Please reduce the ripple current when using capacitor.

X-ON Electronics

Largest Supplier of Electrical and Electronic Components

Click to view similar products for [Aluminium Electrolytic Capacitors - Radial Leaded](#) category:

Click to view products by [Zeasset](#) manufacturer:

Other Similar products are found below :

[NRELS102M35V16X16C.140LLF](#) [ESRG160ETC100MD07D](#) [227RZS050M](#) [335CKR250M](#) [476CKH100MSA](#) [477CKR100M](#)
[107CKR010M](#) [107CKH063MSA](#) [RJH-25V222MI9#](#) [RJH-35V221MG5#](#) [B43827A1106M8](#) [RJH-50V221MH6#](#) [EKYA500ELL470MF11D](#)
[B41022A5686M6](#) [ESRG250ELL101MH09D](#) [EKMA160EC3101MF07D](#) [RJB-10V471MG3#](#) [ESMG160ETD221MF11D](#)
[EKZH160ETD152MJ20S](#) [RJH-35V122MJ6#](#) [EGXF630ELL621ML20S](#) [RBD-25V100KE3#N](#) [EKMA350ELL100ME07D](#)
[ESMG160ETD101ME11D](#) [ELXY100ETD102MJ20S](#) [EGXF500ELL561ML15S](#) [EKMG350ETD471MJ16S](#) [35YXA330MEFC10X12.5](#)
[RXW471M1ESA-0815](#) [ELXZ630ELL221MJ25S](#) [ERR1HM1R0D11OT](#) [LPE681M30060FVA](#) [LPL471M22030FVA](#) [HFE221M25030FVA](#)
[LKMD1401H221MF](#) [B41888G6108M000](#) [EKMA160ETD470MF07D](#) [UHW1J102MHD6](#) [EKMG500ETD221MJC5S](#) [LKMK2502W101MF](#)
[LKMD1401H181MF](#) [LKMI2502G820MF](#) [LKMJ2001J122MF](#) [LKML2501C472MF](#) [LKMJ4002C681MF](#) [450MXH330MEFCSN25X45](#)
[450MXK330MA2RFC22X50](#) [63ZLH560MEFCG412.5X30](#) [ELH2DM331O25KT](#) [ELH2DM471P30KT](#)