

AZ6951

SENSITIVE SUBMINIATURE RELAY

FEATURES

- Extremely small footprint
- Thin vertical profile of only 6.5 mm (0.25")
- 1 Form A contact with up to 5 Amp switching capability
- High sensitivity coil with only 100mW pickup power
- Dielectric strength of 3000V_{RMS} contact to coil
- Epoxy sealed for automatic wave soldering and cleaning
- UL, CUR file E43203
- TÜV R 50255159



Illustration similar



CONTACTS

Arrangement	SPST (1 Form A)
Ratings (max.) switched power switched current switched voltage	(resistive load) 150 W or 1250 VA 5 A 30 VDC* or 250 VAC
	* Note: If switching voltage is greater than 30 VDC, special precautions must be taken. Please contact the factory.
Rated Loads UL, CUR	5 A at 250 VAC, resistive load 5 A at 30 VDC, resistive load
TÜV	5 A at 250 VAC, resistive load, 50k cycles 5 A at 30 VDC, resistive load, 50k cycles
Contact materials	Silver tin oxide, gold plating available
Initial resistance	≤ 100 mΩ

COIL

Nominal coil DC voltages	see coil voltage specifications table
Dropout	> 10% of nominal coil voltage
Coil power nominal at pickup voltage	200 mW 100 mW (typ.)
Max. temperature	105°C (221°F) - Class B

NOTES

1. All values at 20°C (68°F).
2. Relay may pull in with less than "Must Operate" value.
3. Specifications subject to change without notice.

GENERAL DATA

Life Expectancy Mechanical Electrical	(minimum operations) 2 x 10 ⁷ 1 x 10 ⁵ at 5 A 250 VAC resistive
Operate Time	6 ms (typ.) at nominal coil voltage
Release Time	3 ms (typ.) at nominal coil voltage, without coil suppression
Dielectric Strength	(at sea level for 1 min.) 3000 V _{RMS} coil to contact 750 V _{RMS} between open contacts
Surge Voltage coil to contact	6 kV (at 1.2 x 50 μs)
Insulation Resistance	1000 MΩ (min.) at 20°C, 500 VDC, 50% RH
Temperature Range operating	(at nominal coil voltage) -25°C (-30°F) to 70°C (158°F)
Vibration resistance Shock	1.5 mm (0.062") DA at 10–55 Hz 10 g operating, 100 g damage
Enclosure Terminals	P.B.T. polyester Tinned copper alloy, P. C.
Soldering Max. Temperature Max. Time	270°C (518°F) 5 seconds
Cleaning Max. Solvent Temp. Max. Immersion Time	80°C (176°F) 30 seconds
Dimensions length width height	18.5 mm (0.728") 6.5 mm (0.250") 12.4 mm (0.488")
Weight	3 grams (approx.)
Compliance	UL 508, IEC 61810-1, RoHS, REACH

ZETTLER electronics GmbH - A ZETTLER GROUP Company

Junkersstr. 3, D-82178 Puchheim, Germany

phone: +49 89 800 97-0
fax: +49 89 800 97-200

office@ZETTLERelectronics.com
www.ZETTLERelectronics.com

This product specification to be used only together with the application notes which can be downloaded from www.ZETTLERelectronics.com/pdfs/relais/ApplicationNotes.pdf

AZ6951

COIL VOLTAGE SPECIFICATIONS

Nominal Coil VDC	Must Operate VDC	Max. Continuous VDC	Resistance Ohm $\pm 10\%$
5	3.5	6.5	125
12	8.4	15.6	720
24	16.8	31.2	2880

ORDERING DATA

AZ6951-



Plating option
nil: non plated
G: Gold plating

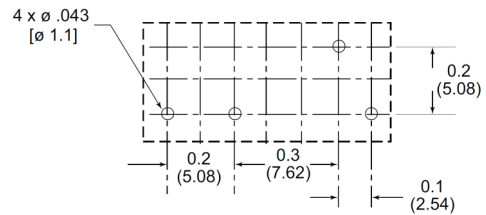
Nominal coil voltage
see coil voltage specifications tables

Example ordering data

AZ6951-5G 5 VDC nominal coil voltage, gold plated
AZ6951-12 12 VDC nominal coil voltage, non gold plated

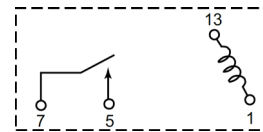
PC BOARD LAYOUT

Dimensions in inches with metric equivalents in parentheses.
Viewed towards terminals



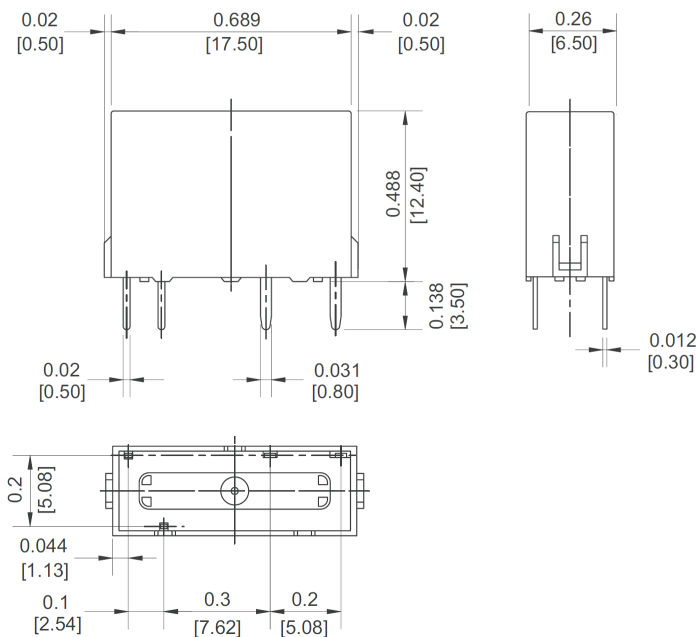
WIRING DIAGRAMS

Viewed towards terminals



MECHANICAL DATA

Dimensions in inches with metric equivalents in parentheses. Tolerance: $\pm .010''$



ZETTLER electronics GmbH - A ZETTLER GROUP Company

Junkersstr. 3, D-82178 Puchheim, Germany

phone: +49 89 800 97-0
fax: +49 89 800 97-200

office@ZETTLERelectronics.com
www.ZETTLERelectronics.com

This product specification to be used only together with the application notes which can be downloaded from www.ZETTLERelectronics.com/pdfs/relais/ApplicationNotes.pdf

X-ON Electronics

Largest Supplier of Electrical and Electronic Components

Click to view similar products for [General Purpose Relays](#) category:

Click to view products by [Zettler](#) manufacturer:

Other Similar products are found below :

[PCN-105D3MH,000](#) [59641F200](#) [5JO-1000CD-SIL](#) [5X827E](#) [5X837F](#) [5X840F](#) [5X842F](#) [5X848E](#) [LY2N-AC120](#) [LY2-US-AC120](#) [LY2-US-DC24](#) [LY3-US-AC120](#) [LY4F-UA-DC12](#) [LY4F-UA-DC24](#) [LY4F-US-AC120](#) [LY4F-US-AC240](#) [LY4F-US-DC24](#) [LY4F-VD-AC110](#)
[M115C60](#) [M115N010](#) [M115N0150](#) [603-12D](#) [60HE1-5DC](#) [60HE2S-12DC](#) [61211T0B4](#) [61212T400](#) [61222Q400](#) [61243B600](#) [61243C500](#)
[61243Q400](#) [61311BOA2](#) [61311BOA6](#) [61311BOA8](#) [61311C0A2](#) [61311COA1](#) [61311COA6](#) [61311F0A2](#) [61311QOA1](#) [61311QOA4](#)
[61311T0D6](#) [61311TOA6](#) [61311TOA7](#) [61311TOB3](#) [61311TOB4](#) [61311U0A6](#) [61312Q600](#) [61312T400](#) [61312T600](#) [61313U200](#) [61313U400](#)