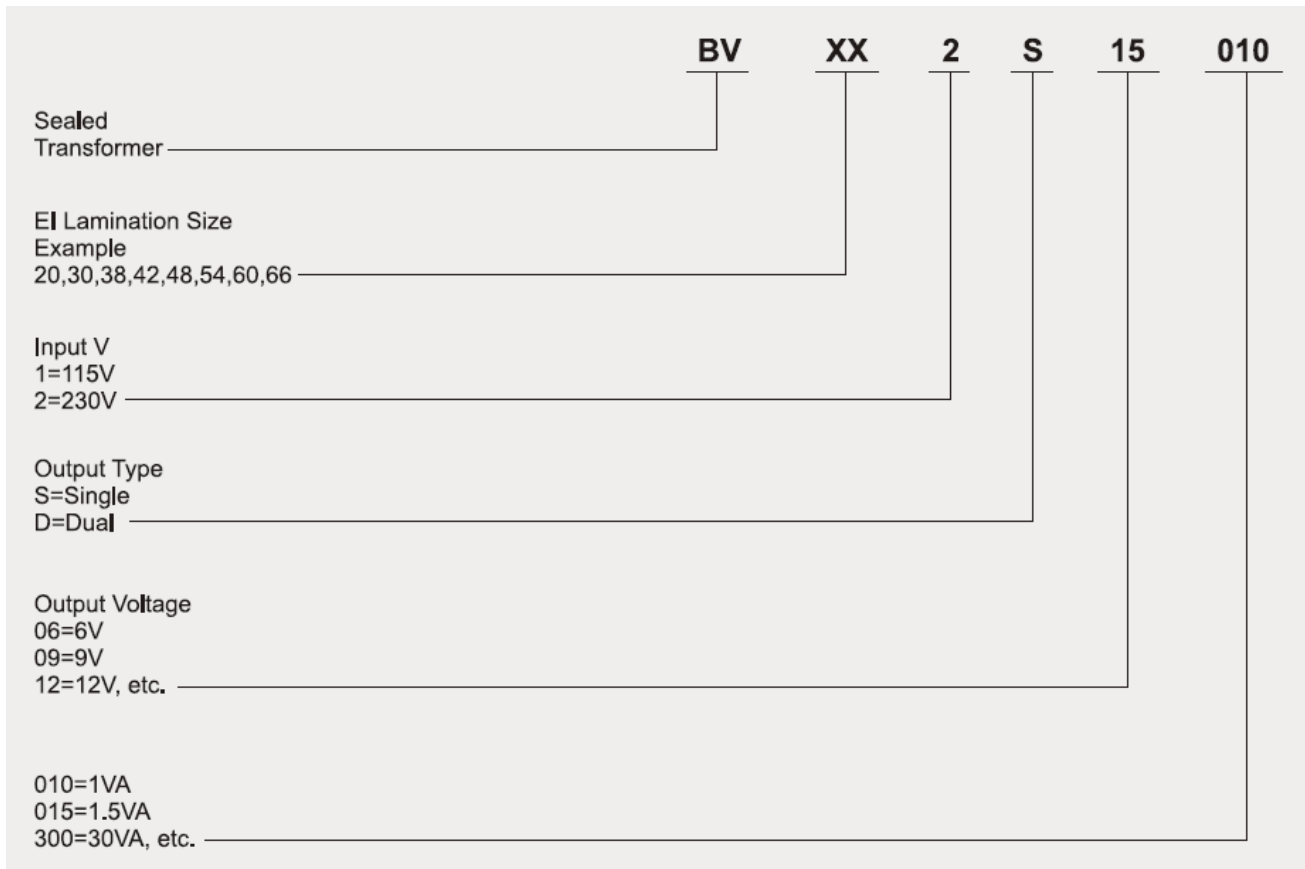


3.2VA SEALED TRANSFORMER EI38X13.6 SERIES



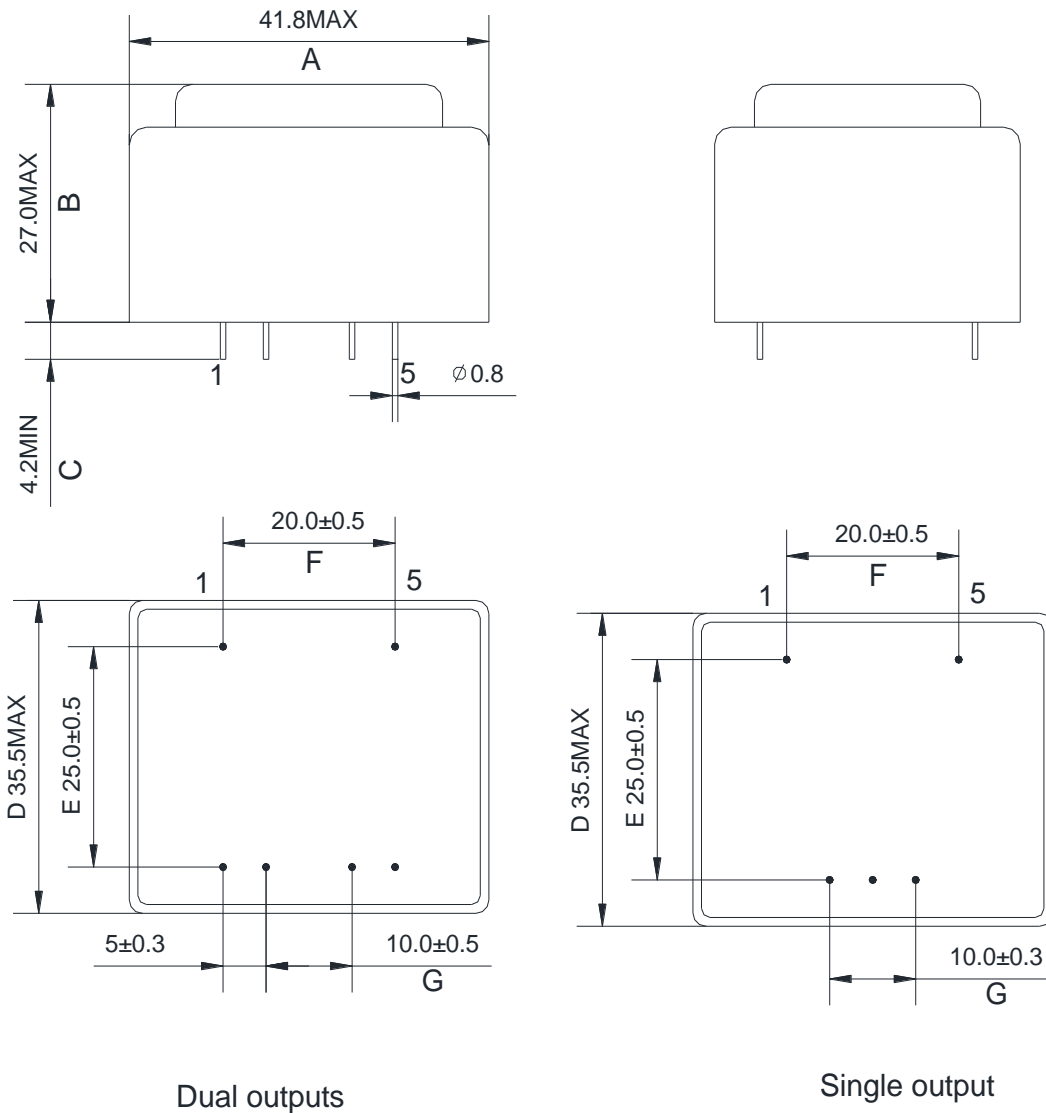
ORDERING CODE



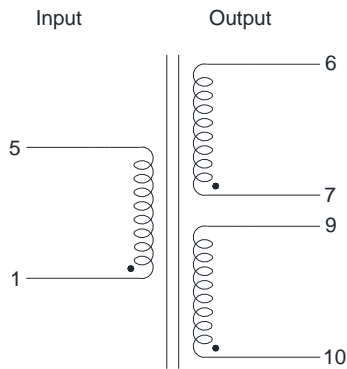
FEATURES

- VDE CQC Approved:
VDE file No.40032536
CQC file No.CQC 1001054660
- Vacuum Filling
- Split Bobbin Design
- Self-Extinguishing Plastics UL94V-0
- Dielectric Strength:
INPUT:230V 4200Vrms
INPUT:115V 2800Vrms
- Operation Frequency:50/60Hz
- Resin Class B IEC 85
(20,000 h Testing to IEC 216)
- 100% Production Tested

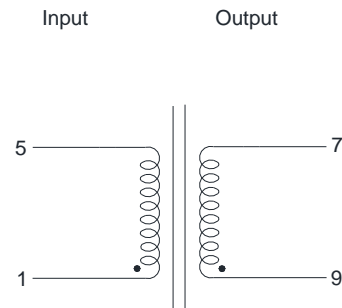
OUTLINE DIMENSIONS



SCHEMATIC DIAGRAM:



Dual outputs



Single output

ELECTRONIC SPECIFICATIONS

Secondary Protection (mA)	Order Number	Input Voltage (V)	SEC. Voltage (V)	Rated Current (mA)	Rated Power (VA)	No-load Voltage (V)	Ambient TEMP. (°C)	Weight (g)	Certificate			
									VDE	UL	CQC	CE
T630	BV381S06032	115V	6	533	3.2	8.0	T70B	148	●		●	●
T400	BV381S09032	115V	9	356	3.2	12.0	T70B	148	●		●	●
T400	BV381S10032	115V	10	320	3.2	14.0	T70B	148	●		●	●
T315	BV381S12032	115V	12	267	3.2	16.0	T70B	148	●		●	●
T250	BV381S15032	115V	15	213	3.2	20.0	T70B	148	●		●	●
T200	BV381S18032	115V	18	178	3.2	24.1	T70B	148	●		●	●
T160	BV381S24032	115V	24	133	3.2	32.4	T70B	148	●		●	●
T315	BV381D06032	115V	2x6	2x267	3.2	2x8	T70B	148	●		●	●
T200	BV381D09032	115V	2x9	2x178	3.2	2x12	T70B	148	●		●	●
T200	BV381D10032	115V	2x10	2x160	3.2	2x14	T70B	148	●		●	●
T160	BV381D12032	115V	2x12	2x133	3.2	2x16	T70B	148	●		●	●
T125	BV381D15032	115V	2x15	2x107	3.2	2x20	T70B	148	●		●	●
T100	BV381D18032	115V	2x18	2x89	3.2	2x24.1	T70B	148	●		●	●
T80	BV381D24032	115V	2x24	2x67	3.2	2x32.4	T70B	148				●
T630	BV382S06032	230V	6	533	3.2	8.0	T70B	148	●		●	●
T400	BV382S09032	230V	9	356	3.2	12.0	T70B	148	●		●	●
T400	BV382S10032	230V	10	320	3.2	14.0	T70B	148	●		●	●
T315	BV382S12032	230V	12	267	3.2	16.0	T70B	148	●		●	●
T250	BV382S15032	230V	15	213	3.2	20.0	T70B	148	●		●	●
T200	BV382S18032	230V	18	178	3.2	24.1	T70B	148	●		●	●
T160	BV382S24032	230V	24	133	3.2	32.4	T70B	148	●		●	●
T315	BV382D06032	230V	2x6	2x267	3.2	2x8	T70B	148	●		●	●
T200	BV382D09032	230V	2x9	2x178	3.2	2x12	T70B	148	●		●	●
T200	BV382D10032	230V	2x10	2x160	3.2	2x14	T70B	148	●		●	●
T160	BV382D12032	230V	2x12	2x133	3.2	2x16	T70B	148	●		●	●
T125	BV382D15032	230V	2x15	2x107	3.2	2x20	T70B	148	●		●	●
T100	BV382D18032	230V	2x18	2x89	3.2	2x24.1	T70B	148	●		●	●
T80	BV382D24032	230V	2x24	2x67	3.2	2x32.4	T70B	148				●

X-ON Electronics

Largest Supplier of Electrical and Electronic Components

Click to view similar products for [Power Transformers](#) category:

Click to view products by [Zettler](#) manufacturer:

Other Similar products are found below :

[ET-030A](#) [F-102X](#) [F-120X](#) [F-14X-1](#) [F-181U](#) [F-18A](#) [F-199U](#) [F-19X](#) [F-202U](#) [F-204U](#) [F-206U](#) [F-227X](#) [F-238U](#) [F-239U-1](#) [F-23U](#) [F24-250-B](#)
[F-242U](#) [F-245U](#) [F-264U](#) [F-265U](#) [F-267U](#) [F-281U](#) [F-283U](#) [F-290X](#) [F-295Z](#) [F-296Z](#) [F-298Z](#) [F-3143P](#) [F-3298Z](#) [F-33U](#) [F-346X](#) [F-35U](#) [F-](#)
[364U](#) [F-392A](#) [F-395X](#) [F-397U](#) [F-412X](#) [F-47U](#) [F-55X-1](#) [F-60U](#) [F-68U](#) [F-71U](#) [F-72Z](#) [F-74U](#) [F-83A](#) [F-84AC](#) [F-85U](#) [F-86U](#) [F-9U](#) [PCT-02](#)