

Angle Position Sensors

AS500106

Magnet carrier for use with Angle Position Sensors



Features

- PPS housing
- Samarium Cobalt 28 magnet
- RoHS compliant

Environmental Specifications

Vibration	15g sinusoidal, 9.26g RMS axial; 40 Hz – 2 kHz all 3 axes
Operation Temperature	-40 °C to 125 °C (-40 °F to 257 °F)
Storage Temperature	-40 °C to 150 °C (-40 °F to 302 °F)
Salt Spray	SAEJ1455, Section 4.3.3
Immersion	Tested per SAE J 1455, Section 4.4.1: Engine oil and additives, Transmission oils, Water, Power steering fluid, Brake fluids, Washer solvent, Gasoline, Diesel fuel, Alcohol, Antifreeze water mixture, Battery acid, Salt water, Kerosene, Ammonia

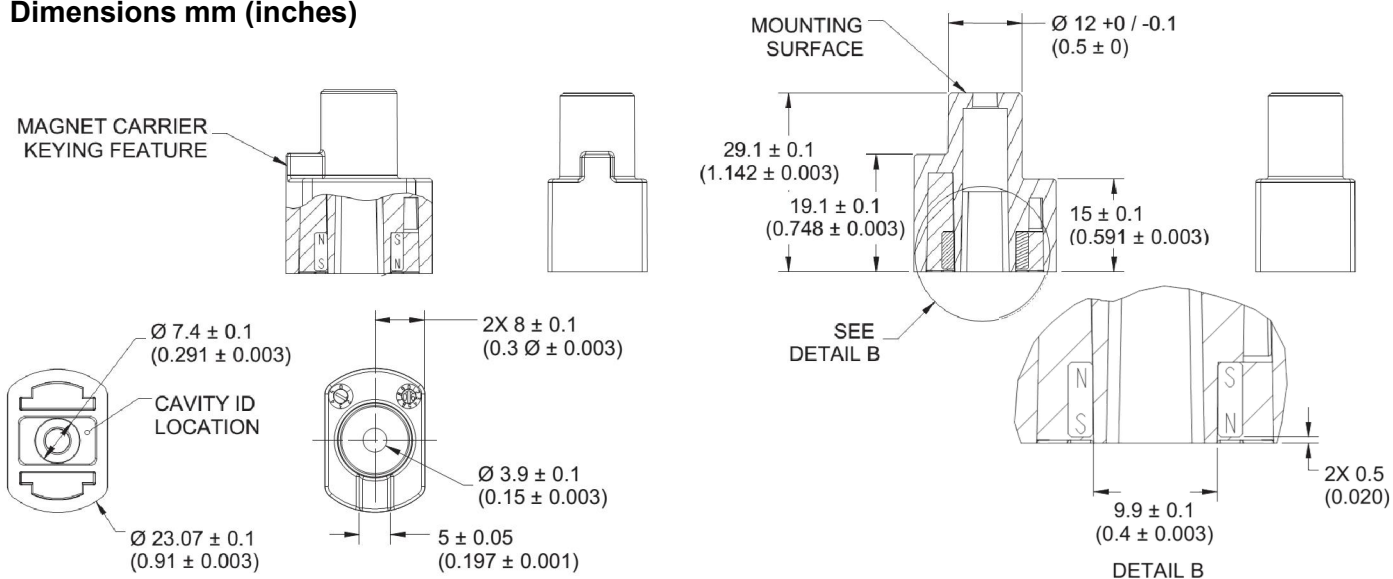
Mechanical Specifications

Recommended Fastener	M4 Cap Screw
Recommended Torque	3 Nm (26.5 in lbs)

Products

Part Number	Description	Sensing Range
AS500106	Magnet only	N/A
CU103601	Kit with AN820001 sensor	180°
CU103602	Kit with AN820002 sensor	360°
CU103603	Kit with AN820003 sensor	45°

Dimensions mm (inches)



www.cherryswitches.com



X-ON Electronics

Largest Supplier of Electrical and Electronic Components

Click to view similar products for [Sensor Fixings & Accessories](#) category:

Click to view products by [ZF Cherry](#) manufacturer:

Other Similar products are found below :

[F03-01 SUS304 BINIL](#) [8000-5130](#) [FH-AP1](#) [PH-1-10M](#) [PH-1-20M](#) [PH-2-30M](#) [AC201](#) [R4](#) [ADI-LC3S](#) [E39-L149](#) [EC18-WELL](#) [PC-15015](#)
[K35-4](#) [A-1923](#) [SS-12143](#) [STA12](#) [AP4-T](#) [PH-1-50M](#) [R6](#) [D01051301](#) [43912557-020](#) [MF-1 D=3.2](#) [BGN-035](#) [E39-L7](#) [ZX-SB11](#) [D01070602](#)
[606072](#) [606075](#) [Y92ES12PVC4A10ML](#) [Y92ES12PVC4S5ML](#) [SA9Z-F11](#) [Z49-SF1](#) [ZFV-XMF2](#) [E4R-R12A-CS3M010](#) [ZX-SW11E V3](#)
[CCS-PL-LDR2-70](#) [E4R-R12A-CS3M020](#) [BS-1T CHITAN](#) [F03-01 CHITAN](#) [CCS-PD2-1012](#) [PH-2-90M](#) [PH-2-5M](#) [XMLZL008](#) [AC244](#)
[28810-1](#) [PH-1-40M](#) [SS-12225](#) [32043-500](#) [81532111](#) [PH-2-60M](#)