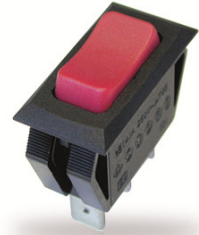


# Rocker Switch

## Single Pole

CR Series



### Features

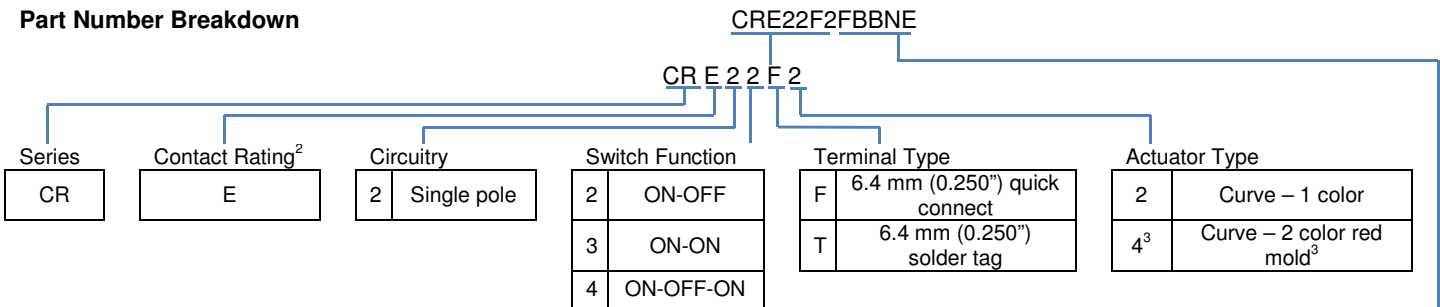
- Rugged design rated for 20 A UL (16 A VDE)
- Washable option available
- Two-color actuator available
- RoHS Compliant
- Lighted and non-lighted versions
- Minimum 100,000 operations mechanical life

### Standard Parts<sup>1</sup>

North America and Europe				Europe
CRE22F2BBALE	CRE22F2BBULE	CRE22F2PBBNE	CRE22F4FBBNE	CRE22F2BBAAEE
CRE22F2BBBNE	CRE22F2FBBNE	CRE22F4BBBNE	CRE23F2BBBNE	CRE22F2BBGEE
CRE22F2BBGLE	CRE22F2FBRNE	CRE22F4DBBNE	CRE24F2HBBNE	CRE22F2BBREE
CRE22F2BBRLE				

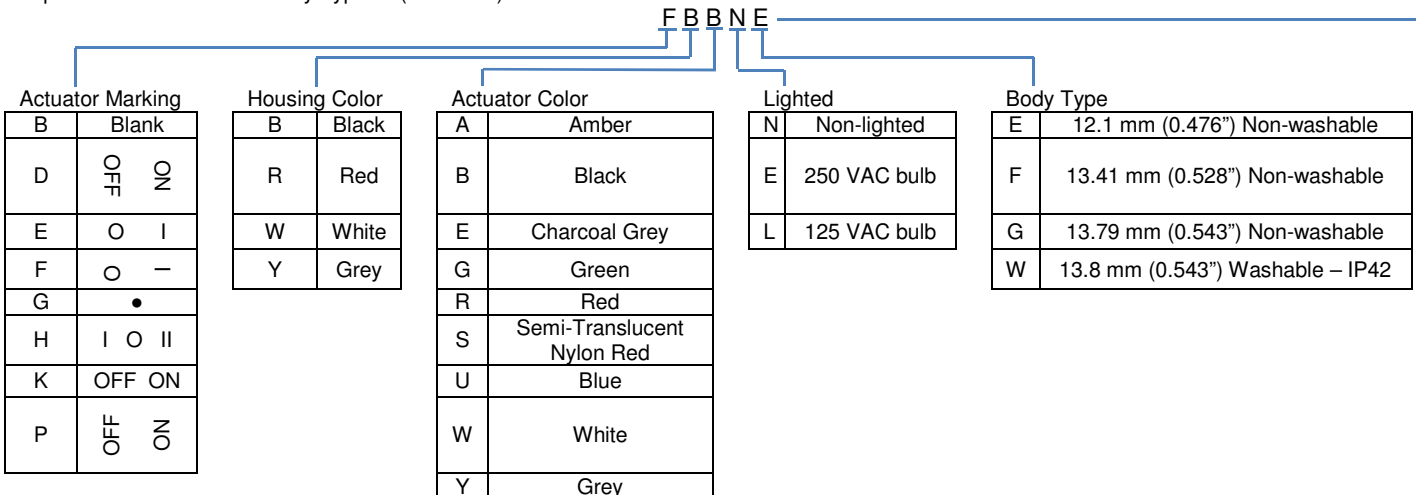
<sup>1</sup>The part number configuration matrix below provides details to the part numbers above. For configurable part numbers that are not listed above or for custom part numbers, contact the factory or your distributor.

### Part Number Breakdown



<sup>2</sup>See Electrical Specifications section

<sup>3</sup>Option not available with Body Type W (washable)





## X-ON Electronics

Largest Supplier of Electrical and Electronic Components

*Click to view similar products for [Rocker Switches](#) category:*

*Click to view products by [ZF Cherry](#) manufacturer:*

Other Similar products are found below :

[LTILA6E-1S-WH-RC-FN12VXCR1](#) [6-1571986-9](#) [8007K26N324V52](#) [8055K32Z7V](#) [8055K52Z7V](#) [8138K20E6M50](#) [84206L](#) [84312LX](#)  
[PREDD5-07F-BB0GW](#) [999-16716-002](#) [999-16716-003](#) [999-16716-004](#) [A101J1V3Q004](#) [A101J2ZQ004](#) [A101J4ZQ004](#) [A101J51CB0004](#)  
[A103J1ZQ004](#) [A201J1AQ004](#) [A201J3ZB004](#) [A201J50ZQ004](#) [A203J51ZQ0004](#) [A435S1YZQ](#) [H8500XBBBBL-A](#) [H8653VBBG2577W](#)  
[HB130CHNWWNAAC](#) [R13112ABB-602W](#) [1251.0303](#) [AE205J60V3B004](#) [1352.0107](#) [1571099-3](#) [1571987-4](#) [1571987-5](#) [1571989-7](#)  
[1571988-5](#) [B123J77V7B2](#) [B226J50W4Q22P](#) [B433J37ZQ22M](#) [160212E](#) [1634200-7](#) [1801.1164](#) [1839.1502](#) [PANEL-PLUG-VHP-BLACK](#)  
[PANEL-PLUG-VHP-WT](#) [K1ABBSCADN](#) [KG312A2DXD246X](#) [250011E714](#) [2600HM11E](#) [2600R21E](#) [2637LH/2A7/122048L0](#)  
[2639LH/2A7/127000L0](#)