

DG sub-sub-miniature switch



Technical specifications

Contact configuration	S.P.D.T.
Contact gap	< 3 mm
Switching voltage max.	125 VAC
Switched current	3 AAC
Operating force max.	75cN or 140cN without auxiliary actuator
Total travel	0,7 mm without auxiliary actuator
Mechanical life	> 1 x 10 ⁶ operation
Electrical life (max. load)	see table
Ambient temperature	-25°C to +85°C
Materials	
Base	PPS (UL 94V-0)
Cover	PBT (UL 94V-0)
Actuator	PBT (UL 94V-0)
Auxiliary actuator	Stainless steel
Terminals	CuZn striped silver-plated
Contacts	DG 1/4 AgNi
	DG2 AgNi, gal. Au
Approvals	
	UL US
Degree of protection (switch interior)	IP40

For detailed information and the layout of the details described above, please do not hesitate to ask for our technical specifications and drawing.

Features

- Very small size (only 12.8x5.8x6.5 mm)
- Depending on the model, the breaking capacity ranges from small switching currents and voltages to low-voltage applications up to 3 A 125VAC
- Optionally available with or without auxiliary actuator
- Use on circuit boards with connections to the left or right and standing
- High mechanical operating life, depending on the model > 1.000.000 actuations

Electrical rating and operating life

Electrical rating according to UL	Operating life		
	Nominal load UL	mechanical	Housing mark
3 A, 125 VAC 2 A, 30VDC	6.000	1 x 10 ⁶	DG 1
0,05 A, 30VDC	6.000	1 x 10 ⁶	DG 2
1 A, 125 VAC 1 A, 30VDC	6.000	1 x 10 ⁶	DG 4

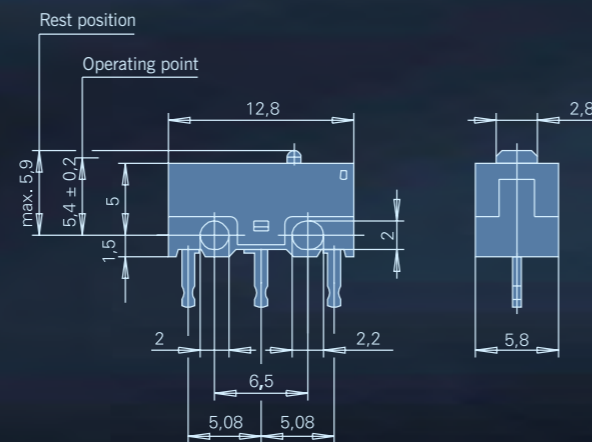
Auxiliary actuator options

Auxiliary actuator	Type	Max. operating force (cN)	Max. pretravel (mm)	Min. overtravel (mm)	Differential travel max. (mm)	Max. rest position (mm)	Operating point (mm)
Without auxiliary actuator	DG 1,2 B	140	0,5	0,2	0,1	5,9	5,4 ± 0,2
	DG 2,4 C	75	0,5	0,2	0,1	5,9	5,4 ± 0,2
Auxiliary actuator straight	DG 1,2 B	45	1,8	0,55	0,5	9,4	6,8 +0,8/-0,4
	DG 2,4 C	30	1,8	0,55	0,5	9,4	6,8 +0,8/-0,4
Auxiliary actuator roller	DG 1,2 B	60	1,5	0,55	0,5	13,9	12,4 ± 0,5
	DG 2,4 C	35	1,5	0,55	0,5	13,9	12,4 ± 0,5

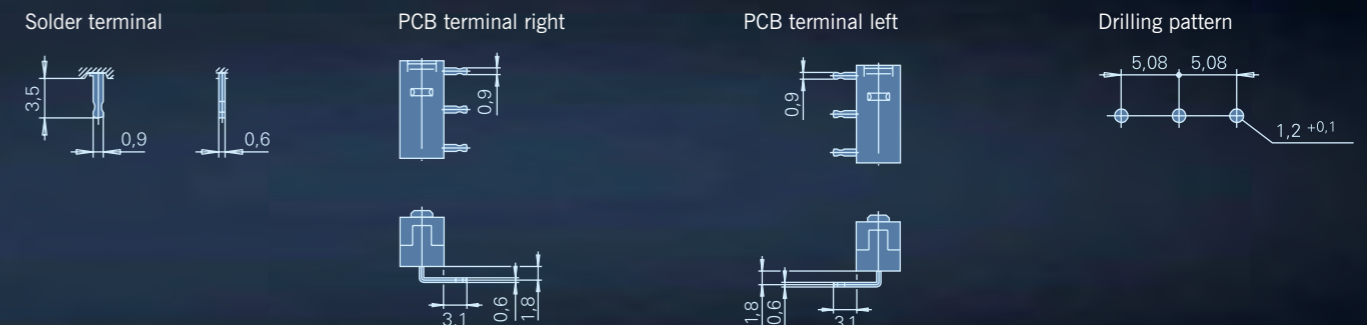
Preferred parts

Order code	Electrical rating	Terminals	Auxiliary actuator	Operating force (cN)	Operating point (mm)	Max. pretravel (mm)	Min. overtravel (mm)	Differential travel max. (mm)
DG13-B1LA	3A, 125VAC; 2A, 30VDC	PCB terminal straight	Auxiliary actuator straight	45	6,8 +0,8/-0,4	1,8	0,55	0,5
DG13-B1RA	3A, 125VAC; 2A, 30VDC	PCB terminal straight	Auxiliary actuator roller	60	12,4 ± 0,5	1,5	0,55	0,5
DG13-B2LA	3A, 125VAC; 2A, 30VDC	PCB terminal straight	Auxiliary actuator straight	45	6,8 +0,8/-0,4	1,8	0,55	0,5
DG23-B1LA	0,05A, 30VDC	PCB terminal straight	Auxiliary actuator straight	45	6,8 +0,8/-0,4	1,8	0,55	0,5
DG23-B1RA	0,05A, 30VDC	PCB terminal straight	Auxiliary actuator roller	60	12,4 ± 0,5	1,5	0,55	0,5
DG23-B2LA	0,05A, 30VDC	PCB terminal right	Auxiliary actuator straight	45	6,8 +0,8/-0,4	1,8	0,55	0,5
DG23-B3LA	0,05A, 30VDC	PCB terminal left	Auxiliary actuator straight	45	6,8 +0,8/-0,4	1,5	0,55	0,5

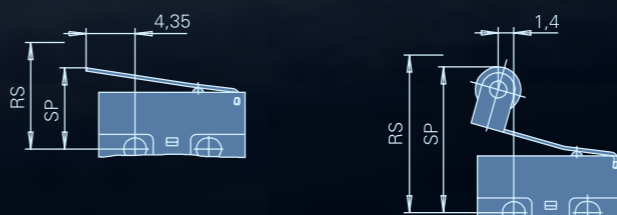
Dimensions in mm



Terminals



Auxiliary actuator options



X-ON Electronics

Largest Supplier of Electrical and Electronic Components

Click to view similar products for [Basic / Snap Action Switches](#) category:

Click to view products by [ZF Cherry](#) manufacturer:

Other Similar products are found below :

[83228001](#) [01.098.1358.1](#) [602EN1-6B](#) [602EN532](#) [602EN535-RB](#) [602HE5-RB1](#) [604HE162](#) [604HE223-6B](#) [624HE17-RB](#) [6HM89](#) [6PA78-JM](#)
[6SE1](#) [6SX1-H58](#) [70500840](#) [MBD5B1](#) [MBH2731](#) [73-316-0012](#) [79211759](#) [79211923](#) [79218589](#) [7AS12](#) [ML-1155](#) [ML-1376](#) [831010C3.0](#)
[831060C3.TL](#) [831090C2.EL](#) [83131904](#) [84212012](#) [8AS239](#) [8HM73-3](#) [903VB1-PG](#) [914CE1-6G](#) [PL-100](#) [11SM1077-H4](#) [11SM1077-H58](#)
[11SM1-TN107](#) [11SM405](#) [11SM703-T](#) [11SM8423-H2](#) [11SX37-T](#) [11SX48-H58](#) [11SX55-H58](#) [11SM2442-T](#) [11SM76-T](#) [11SM77-H58](#)
[11SM77-T](#) [11SM863-T](#) [11SM866](#) [11SX47-H58](#) [A7CN-1M-1-LEFT](#)