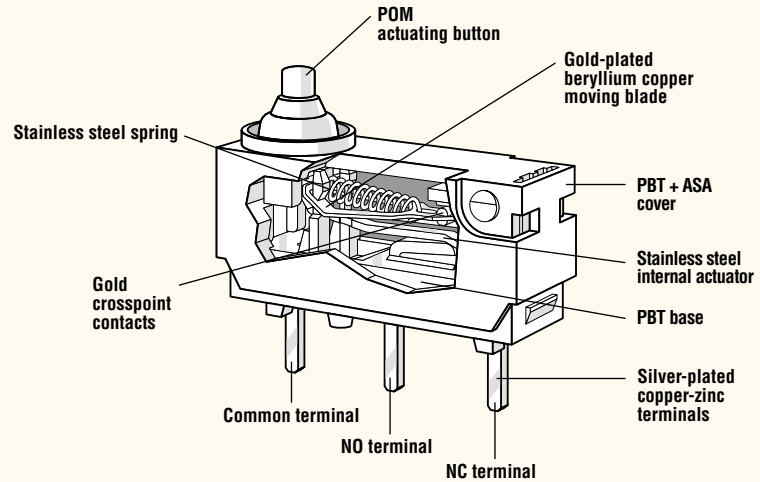


SUBMINIATURE SNAP SWITCH - SEALED

DK Series

Features

- Enclosed switch complying with IP 6K5. IP 6K7 available on request
- Very small dimensions, 0.579" x 0.213" x 0.268" (14.7mm x 5.4mm x 6.8mm)
- Models available for operating temperatures up to 105°C
- Rated for 5mA@12VDC or 2A@12VDC
- Can be actuated vertically or by auxiliary actuator
- Gold crosspoint contacts for high contact stability
- Mechanical life: min. 500,000 operations
- Wide variety of connection options, also available with leads



Specifications

Electrical

Temperature Rating:	-40°C to +85°C
Flammability Rating:	N/A

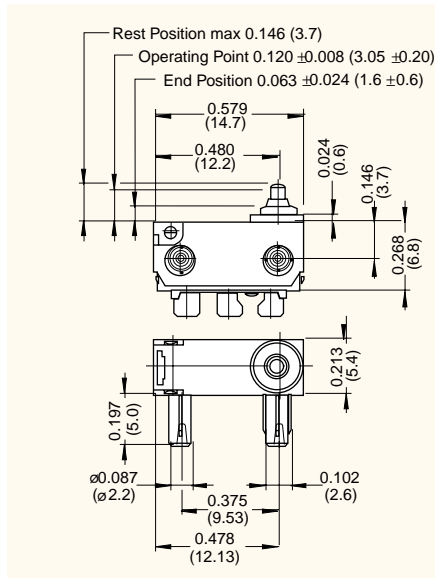
Materials

Base:	PBT
Cover:	PBT + ASA
Actuator:	POM (+85°C)
Auxiliary Actuator:	Stainless Steel
Internal Actuator:	Stainless Steel
Spring:	Stainless Steel
Moving Blade:	Gold-Plated Beryllium Copper
Terminals:	Silver-Plated Copper-Zinc
Contacts:	Gold Crosspoint
Gasket:	Silicon

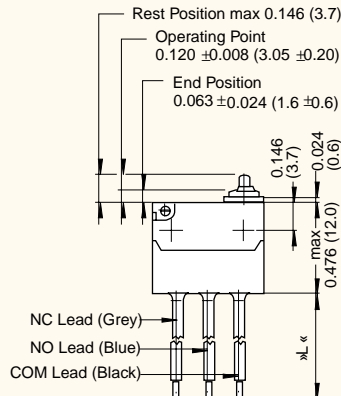
ASA = Acrylonitrile-styrene-acrylicester • PBT = Polybutyleneterephthalate • POM = Polyacetal



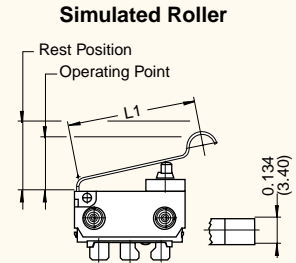
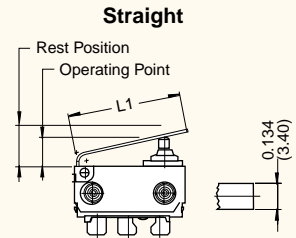
Dimensions inches (mm)



DK Sub-miniature Switch with Leads (IP6K7 Compliant)

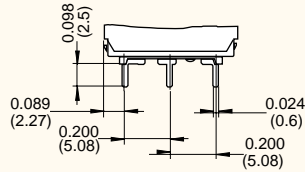


Auxiliary Actuators inches (mm)

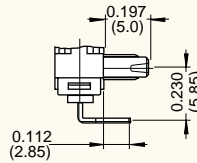


Terminal Options inches (mm)

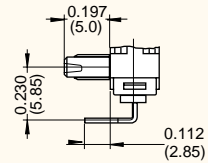
PCB Terminals Straight
 0.024 x 0.020 (0.6 x 0.5)



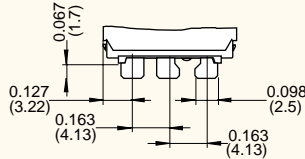
PCB Terminals RH Side with Location Pins
 0.024 x 0.020 (0.6 x 0.5)



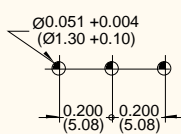
PCB Terminals LH Side with Location Pins
 0.024 x 0.020 (0.6 x 0.5)



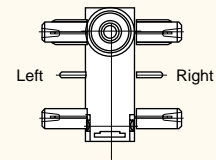
Solder Terminals
 0.098 x 0.020 (2.5 x 0.5)



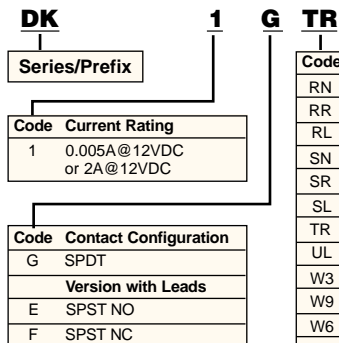
Drilling Patterns for PCB Terminals (Side and Underside)
 0.024 x 0.020 (0.6 x 0.5)



Top-down View of Lateral Terminals



Ordering Information



Code	Terminal Type inches (mm)
RN	0.098 x 0.020 (2.5 x 0.5) Solder, Straight w/o Pins
RR	0.098 x 0.020 (2.5 x 0.5) Solder, Straight with RH Pins
RL	0.098 x 0.020 (2.5 x 0.5) Solder, Straight with LH Pins
SN	0.024 x 0.020 (0.6 x 0.5) PCB, Straight w/o Pins
SR	0.024 x 0.020 (0.6 x 0.5) PCB, Straight with RH Pins
SL	0.024 x 0.020 (0.6 x 0.5) PCB, Straight with LH Pins
TR	0.024 x 0.020 (0.6 x 0.5) PCB, RH Side with RH Pins
UL	0.024 x 0.020 (0.6 x 0.5) PCB, LH Side with LH Pins
W3	9.843 (250) Leads 0.014 ² (0.35 ²) to Underside w/o Pins
W9	9.843 (250) Leads 0.014 ² (0.35 ²) to Underside with RH Pins
W6	9.843 (250) Leads 0.014 ² (0.35 ²) to Underside with LH Pins
Z3	19.685 (500) Leads 0.014 ² (0.35 ²) to Underside w/o Pins
Z9	19.685 (500) Leads 0.014 ² (0.35 ²) to Underside with RH Pins
Z6	19.685 (500) Leads 0.014 ² (0.35 ²) to Underside with LH Pins

A0

Code	Actuator Type
A0	Without Auxiliary Actuator
D1	Straight Spring-Loaded Auxiliary Actuator
E1	Simulated Roller, Spring-Loaded



X-ON Electronics

Largest Supplier of Electrical and Electronic Components

Click to view similar products for [Basic / Snap Action Switches](#) category:

Click to view products by [ZF Cherry](#) manufacturer:

Other Similar products are found below :

[83228001](#) [01.098.1358.1](#) [602EN1-6B](#) [602EN532](#) [602EN535-RB](#) [602HE5-RB1](#) [604HE162](#) [604HE223-6B](#) [624HE17-RB](#) [6HM89](#) [6PA78-JM](#)
[6SE1](#) [6SX1-H58](#) [70500840](#) [MBD5B1](#) [MBH2731](#) [73-316-0012](#) [79211759](#) [79211923](#) [79218589](#) [7AS12](#) [ML-1155](#) [ML-1376](#) [831010C3.0](#)
[831060C3.TL](#) [831090C2.EL](#) [83131904](#) [84212012](#) [8AS239](#) [8HM73-3](#) [903VB1-PG](#) [914CE1-6G](#) [PL-100](#) [11SM1077-H4](#) [11SM1077-H58](#)
[11SM1-TN107](#) [11SM405](#) [11SM703-T](#) [11SM8423-H2](#) [11SX37-T](#) [11SX48-H58](#) [11SX55-H58](#) [11SM2442-T](#) [11SM76-T](#) [11SM77-H58](#)
[11SM77-T](#) [11SM863-T](#) [11SM866](#) [11SX47-H58](#) [A7CN-1M-1-LEFT](#)