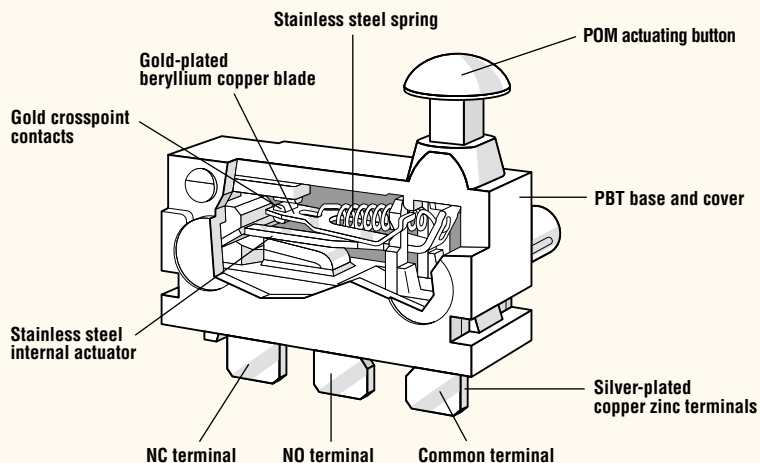


SUBMINIATURE DR Series

Features

- Switch with mushroom or pan-head actuator for a wide variety of control applications
- Protection against dust complying with IP40
- Models available for operating temperatures up to 105°C
- Rated for 5mA@12VDC or 2A@12VDC
- Auxiliary actuator on request
- High contact stability thanks to gold alloy crosspoint contacts
- Mechanical life: min. 1 x 10⁶ operations
- Various options available for connecting



Specifications

Electrical

Temperature Rating:	-40°C to +85°C
Flammability Rating:	N/A

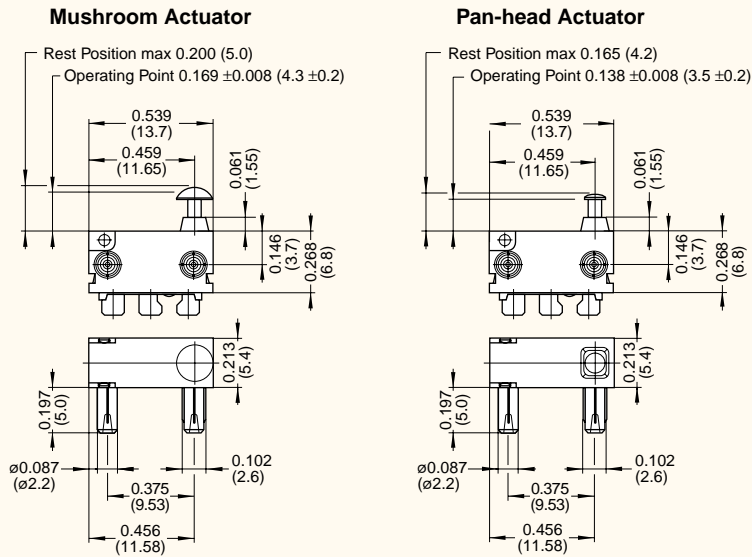
Materials

Housing:	PBT
Actuator:	POM (+85°C)
Auxiliary Actuator:	Stainless Steel
Internal Actuator:	Stainless Steel
Spring:	Stainless Steel
Terminals:	Silver-Plated Copper-Zinc
Contacts:	Gold Crosspoint
Moving Blade:	Gold-Plated Beryllium Copper

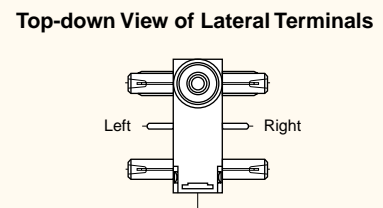
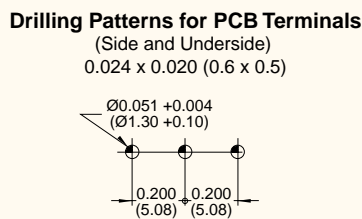
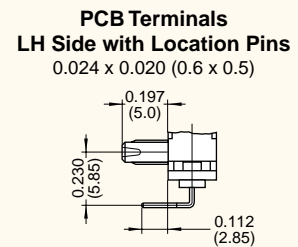
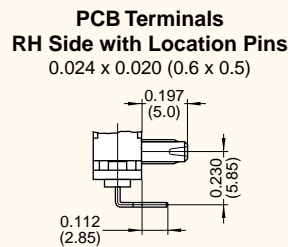
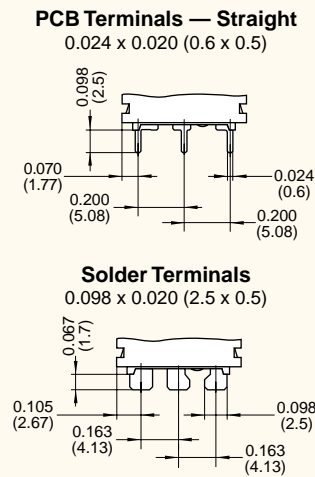
PBT = Polybutyleneterephthalate • POM = Polyacetal



Dimensions inches (mm)



Terminal Options inches (mm)



Ordering Information

DR	1	P	BR	AO
Series/Prefix		Code	Code	Code
		Actuator Shape	Actuator Type	Terminal Type inches (mm)
		P Mushroom	without Auxiliary Actuator	AN 0.098 x 0.020 (2.5 x 0.5) Solder w/o Pins
		R Pan-head		AL 0.098 x 0.020 (2.5 x 0.5) Solder with LH Pins
				AR 0.098 x 0.020 (2.5 x 0.5) Solder with RH Pins
				BN 0.024 x 0.020 (0.6 x 0.5) PCB, Straight w/o Pins
				BL 0.024 x 0.020 (0.6 x 0.5) PCB, Straight with LH Pins
				BR 0.024 x 0.020 (0.6 x 0.5) PCB, Straight with RH Pins
				CR 0.024 x 0.020 (0.6 x 0.5) PCB, RH Side with RH Pins
				DL 0.024 x 0.020 (0.6 x 0.5) PCB, LH Side with LH Pins

Code	Current Rating
1	0.005A@12VDC or 2A@12VDC

X-ON Electronics

Largest Supplier of Electrical and Electronic Components

Click to view similar products for [Basic / Snap Action Switches](#) category:

Click to view products by [ZF Cherry](#) manufacturer:

Other Similar products are found below :

[83228001](#) [01.098.1358.1](#) [602EN1-6B](#) [602EN532](#) [602EN535-RB](#) [602HE5-RB1](#) [604HE162](#) [604HE223-6B](#) [624HE17-RB](#) [6HM89](#) [6PA78-JM](#)
[6SE1](#) [6SX1-H58](#) [70500840](#) [MBD5B1](#) [MBH2731](#) [73-316-0012](#) [79211759](#) [79211923](#) [79218589](#) [7AS12](#) [ML-1155](#) [ML-1376](#) [831010C3.0](#)
[831060C3.TL](#) [831090C2.EL](#) [83131904](#) [84212012](#) [8AS239](#) [8HM73-3](#) [903VB1-PG](#) [914CE1-6G](#) [PL-100](#) [11SM1077-H4](#) [11SM1077-H58](#)
[11SM1-TN107](#) [11SM405](#) [11SM703-T](#) [11SM8423-H2](#) [11SX37-T](#) [11SX48-H58](#) [11SX55-H58](#) [11SM2442-T](#) [11SM76-T](#) [11SM77-H58](#)
[11SM77-T](#) [11SM863-T](#) [11SM866](#) [11SX47-H58](#) [A7CN-1M-1-LEFT](#)